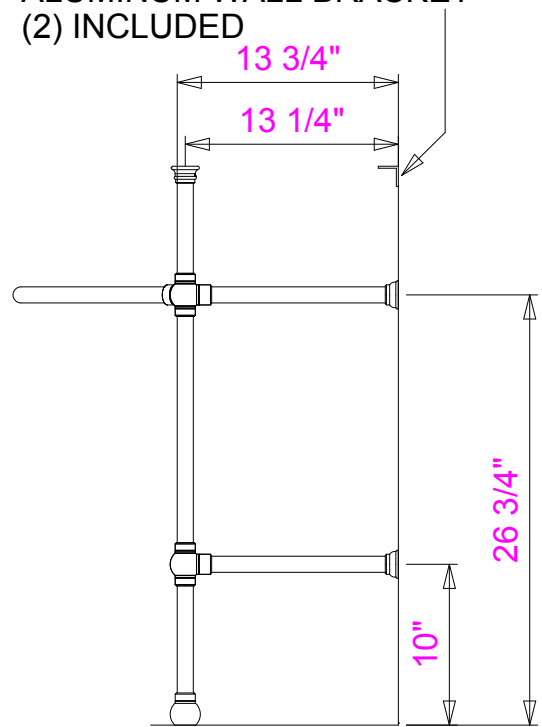
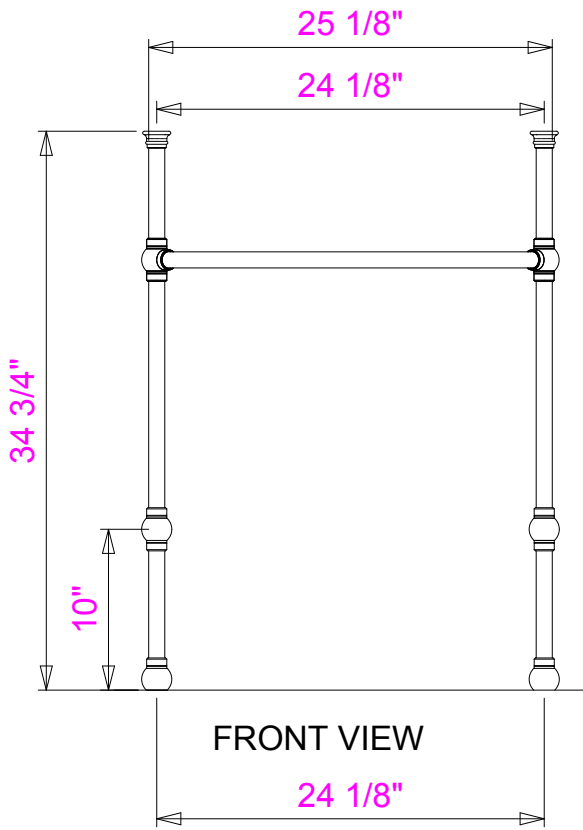


TOP VIEW

1-1/4" X 1-1/4" X 1/8" X 6"
ALUMINUM WALL BRACKET
(2) INCLUDED



SIDE VIEW



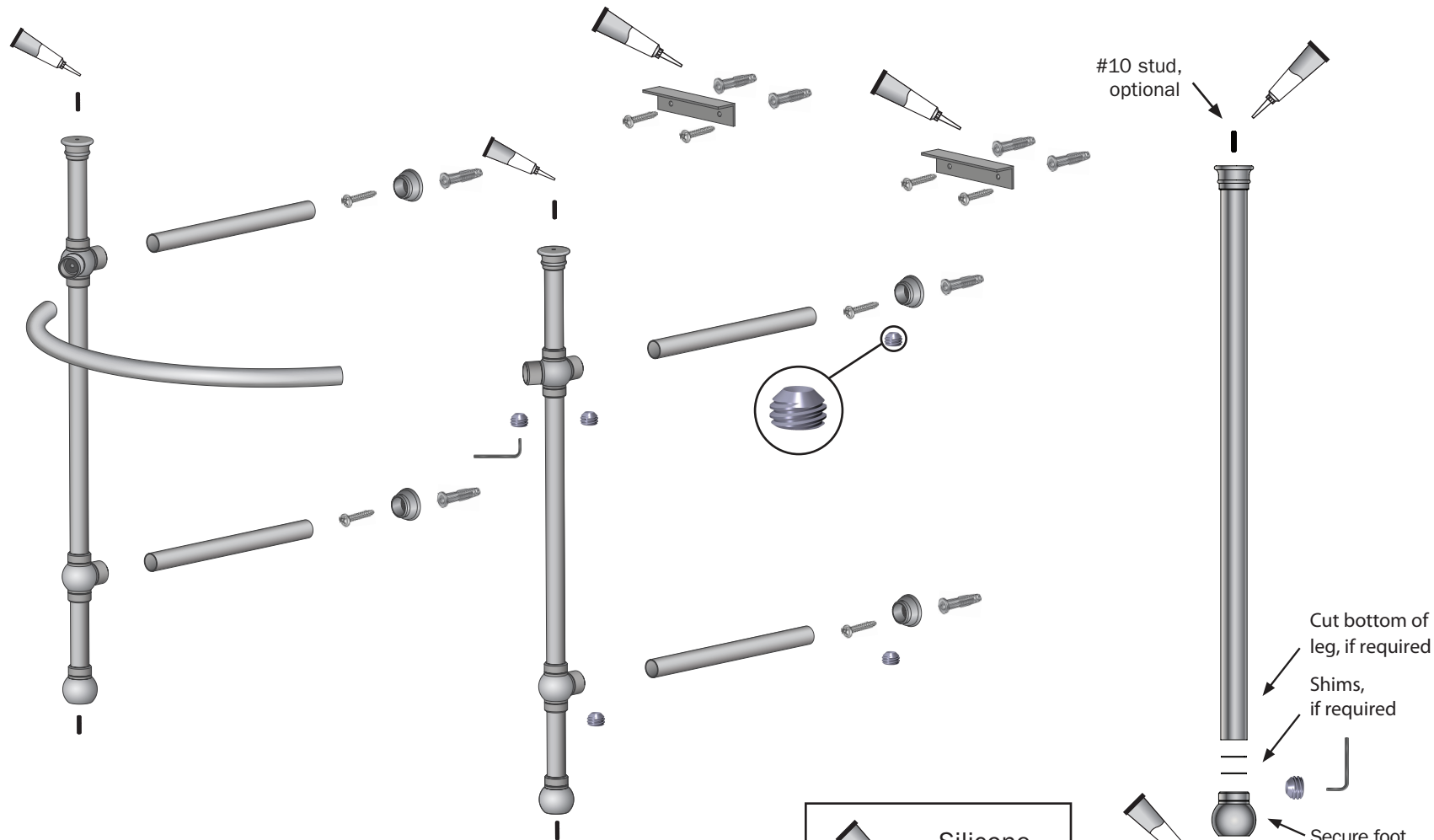
FRONT VIEW

				REV	CHANGE(S)	BY	DATE
REMARKS PALMER LS21BLSFPR BALL FOOT MODEL LEG SYSTEM FOR STONE FOREST PETITE RENAISSANCE C92-WL30	DRAWER	JB	6/20/13	DESCRIPTION(S)		PALMER INDUSTRIES	
	MATERIAL	BRASS		LEG SYS 2 LEG BALL FOOT		379 Charles Street Providence, RI 02904 Phone: 800-398-9676 Fax: 401-421-4238 email: jamie@sinklegs.com	
	FINISH			PART NUMBER(S)			
	PL-0147			LS21BLSFPR			

These designs and drawings are confidential, and the exclusive property of Palmer Industries. They may not be disclosed or duplicated without the expressed, written consent of Palmer Industries. Copyright circa 2012 Palmer Industries. All rights reserved.

Please see the appropriate Palmer Installation Instructions for more information.

LEG ASSEMBLY



LS21BLSFPR SHOWN

All content is owned and copyrighted by Palmer Industries and may not be used for any purpose other than to facilitate the customer experience in choosing and installing our products.

	Silicone Adhesive
	Hex Set Screw

REV. 20131201

SINKLEGS.COM M-F 9-5 EST

Contact Palmer Industries at 800.398.9676 for any questions or parts.



Polished Chrome
(PC) \$\$\$\$



Polished Nickel
Un-Lacquered
(PN) \$\$\$\$



Satin Nickel
Un-Lacquered
(SN) \$\$\$



Aged Nickel
Un-Lacquered
(AN) \$\$\$



Semi Matte Black
Powder Coat
(MB) \$\$\$\$



Polished Brass
Lacquered
(PBL) \$\$\$\$



Polished Brass
Un-Lacquered
(PBUL) \$\$\$\$



Satin Brass
Lacquered
(SBL) \$\$\$



Satin Brass
Waxed
(SBW) \$\$\$



Aged Brass
Un-Lacquered
(ABUL) \$\$\$\$



Oil Rubbed Bronze
Un-Lacquered
(ORB) \$\$\$



Polished Brass
PVD
(PBPVD) \$\$\$\$



Satin Brass
PVD
(SBPVD) \$\$\$\$



Polished Gold
PVD
(PGPVD) \$\$\$\$



Satin Gold
PVD
(SGPVD) \$\$\$\$

FINISH COLOR VARIABLES

The finish colors you see on this website are approximate and may appear to be different from the actual product you receive.

Different devices and monitors may display colors differently and the lighting will also affect the color you perceive.

Some of these are hand-applied "artisanal" finishes and may vary. Other finishes are "living" finishes and will change & patina with age.

The Premium PVD Finishes: Durable, Colorful and Care-Free Finishing Technology – Available at a Premium Cost with an extended production lead time.

[learn more about PVD finishes](#)



Perma-Clear Acrylic



Seafoam Acrylic



Reeded Tubing



Walnut Heartwood