

TD-TRG-36 Trough Console

-Available in Antique Gray limestone (AGL) and Carrara Marble (CA)

-All honed

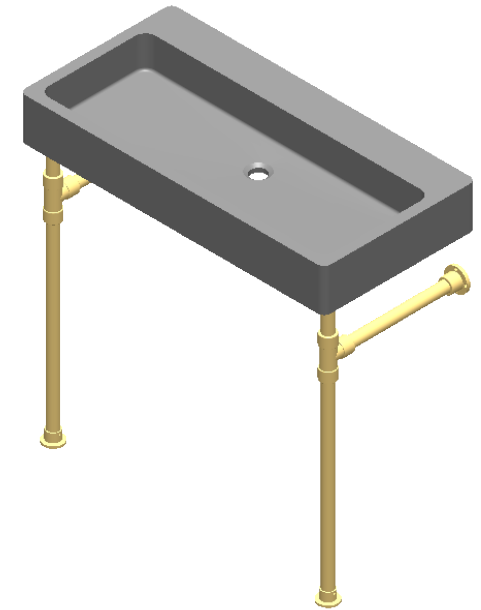
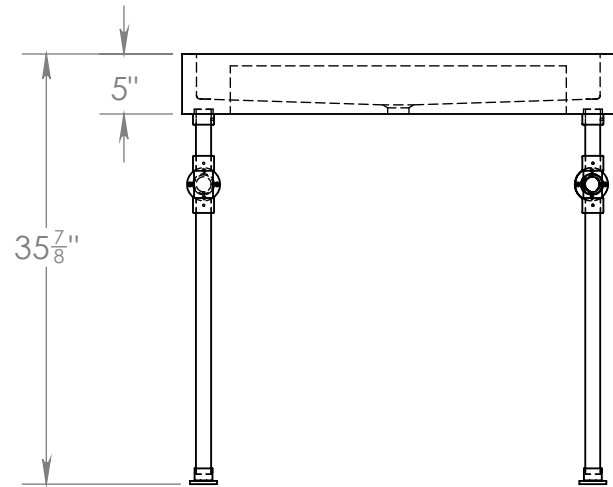
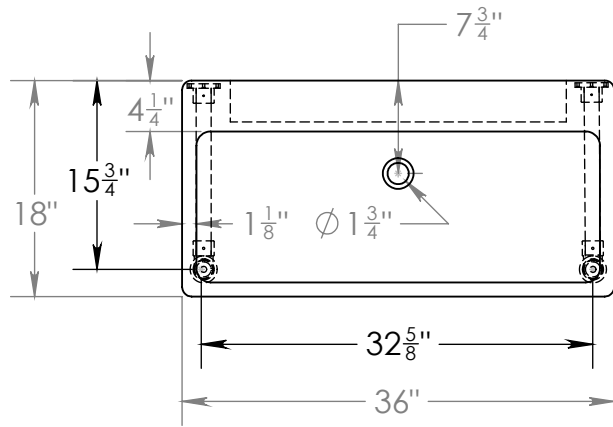
-Approximate thickness at drain is 3/4".
Required drain use 9054D Grid Drain.
This can be supplied by Stone Forest at your request in select finishes.

-Made to fit Trough Vanity #PFS-TRG-3618-xx or Trough Tray Vanity #PFS-TRG-3618-xx-TT

-Do not use pop-up drains.

-Do not use plumber's putty.

-Approx 120lbs.



36" Trough vanity and console

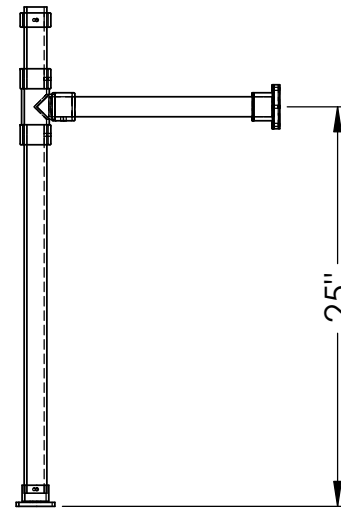
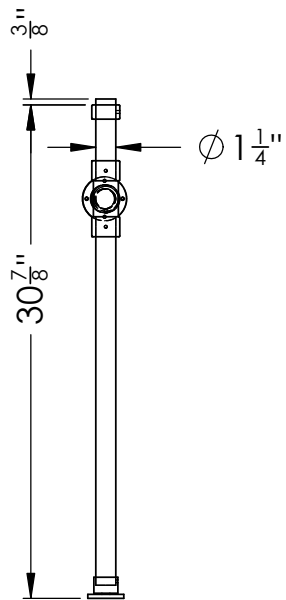
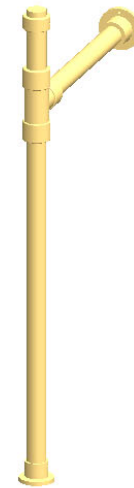
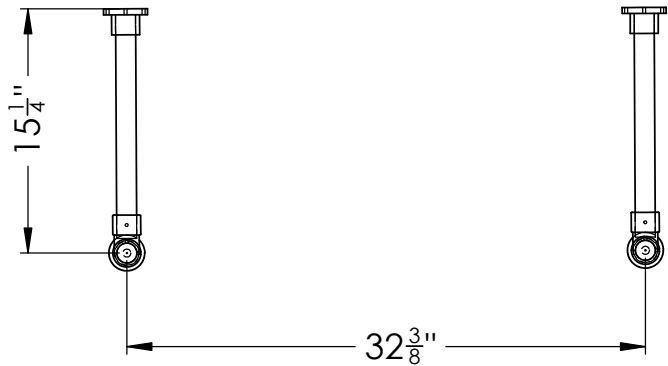
Due to the hand-carving of each piece, small variances in shape and size are to be expected.

SIZE DWG. NO. **A** TD-TRG-36 -- PFS-TDTRG-3618 REV. **A**

WEIGHT: SHEET 1 OF 1

©2020 Stone Forest, Inc.

DO NOT SCALE DRAWING



Trough Vanity Legs
PFS-TDTRG-3618

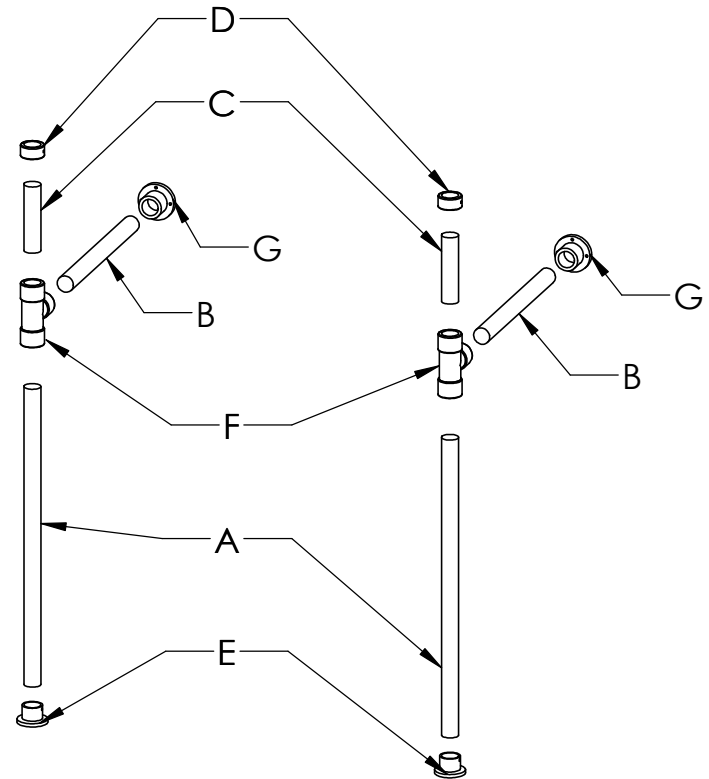
Due to the hand-carving of each piece, small variances in shape and size are to be expected.

SIZE **A** DWG. NO. PFS-TDTRG-3618 - Trough Vanity Legs REV. **A**

WEIGHT: SHEET 1 OF 1

©2022 Stone Forest, Inc.

DO NOT SCALE DRAWING



part	item code	description	qty	X
(A)	PFS-TB-23	23" TUBE	X2	
(B)	PFS-TB-14	14" TUBE	X2	
(C)	PFS-TB-5	5" TUBE	X2	
(D)	PFS-CLLR	COLLAR/ SET	X1	
(E)	PFS-FOOT	FOOT/ SET	X1	
(F)	PFS-TEE	TEE	X2	
(G)	PFS-WALL	ESCUTCHEON	X2	
		2" #8 screws - BR, MB or PN w/wall anchors [for part (G) above]	x10	
		1"x1"x8" aluminum wall bracket with screws and anchors for attaching sink to wall - supplied when sink is ordered with stand	x2	
allen wrench (1), white gloves (1pr), extra set screws (6)				



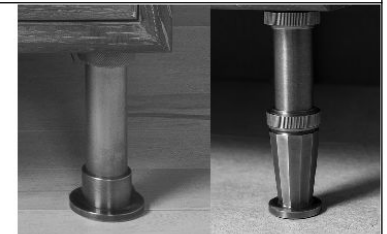
PFS-TRG-3618-xx Elemental Trough Vanity Legs

DO NOT SCALE DRAWING

DWG. NO.

PFS-TDTRG-3618 - Trough Vanity Legs

©2021 Stone Forest, Inc.



circle one: CLASSIC FACET

stand finish _____

1. Using white gloves provided, carefully layout all brass or nickel fittings on a protected surface. Some assembly will be required using the included allen wrench.

NOTE: If you are installing the legs with other components, please see the individual instructions for each component



2. Assemble the legs as shown.
On the underside of the sinks there are 2-4 recessed holes to accept the top 3/8" of each leg. Measure the center to center distance on the two front holes. This will be your measurement for locating the center of each wall connection.
Set the legs up so they are plumb, level and square against the wall and attach using the supplied screws and anchors (if needed).
If drilling into wood blocking or studs, please pre-drill the holes with a 7/64" bit. This will help with the installation of the softer brass screws. If going into drywall, use the supplied anchors and pre-drill using 3/16" bit.



3. Install sink top and bracket according to the sink model.
The collars directly under the sinks do not support any weight. These can be adjusted up against the sink bottom when you are done with the final assembly.

