

Side Table
PFS-STG-24-xx-STBL xxx

Due to the hand-carving of each piece, small variances in shape and size are to be expected.

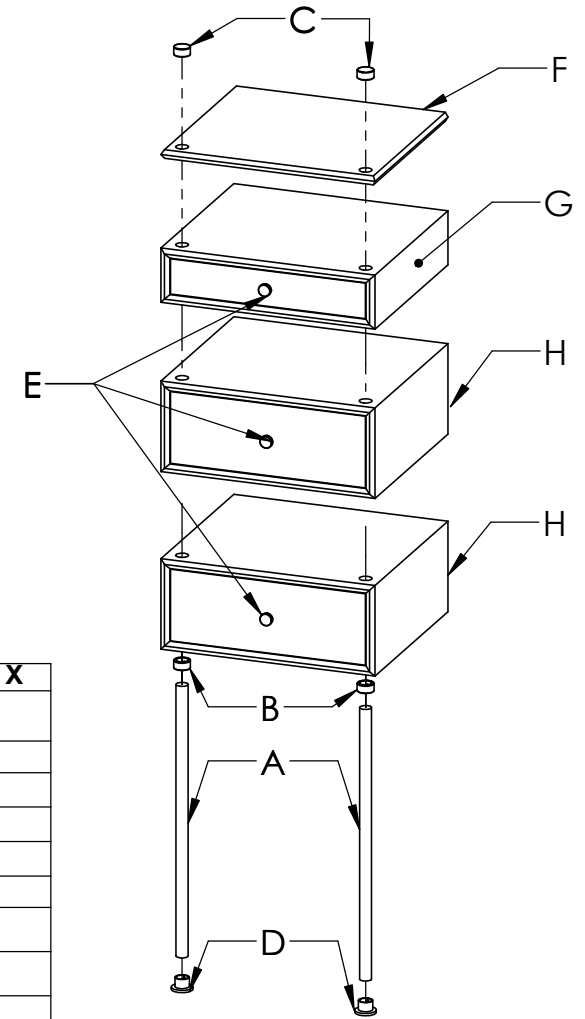
SIZE **A** DWG. NO. PFS-TDD61010STSLF-24 - Side Table

REV. **A**

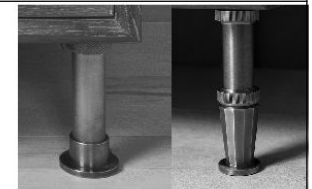
SHEET 1 OF 1

©2019 Stone Forest, Inc.

DO NOT SCALE DRAWING



part	item code	description	qty	X
(A)	PFS-TB-48	48" TUBE - cut to 32.5"	X2	
(B)	PFS-CLLR	COLLAR / SET	X1	
(C)	PFS-CAP	CAP / SET	X1	
(D)	PFS-FOOT	FOOT / SET	X1	
(E)	PFS-KNOB	KNOB	X3	
(F)	PFS-STSLF-24	24" STONE SHELF	X1	
(G)	PFS-DRWR-246	24"DRAWER 6"H	X1	
(H)	PFS-DRWR-2410	24"W DRAWER 10"H	X2	
	2" #8 screws-black w/ wall anchors - to attach drawer box to wall [parts (G) & (H) above]		X9	
allen wrench (1), white gloves (1pr), 2"x2"x6" spacers for installation (2), extra set screws (4)				



circle one: CLASSIC FACET

stand finish _____

stone finish _____

wood finish _____



PFS-STG-24-xx-STBL xx
24" w Elemental Side Table

DO NOT SCALE DRAWING

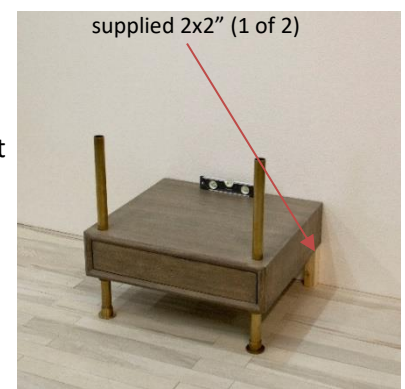
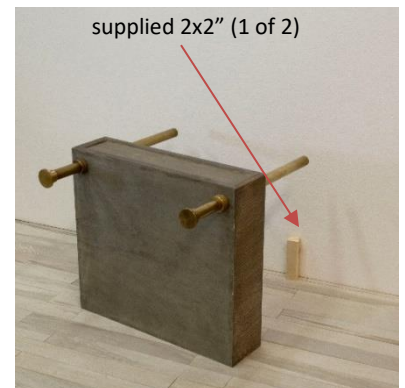
DWG. NO.

PFS-STG-24-STBL - Elemental Side table 24

©2021 Stone Forest, Inc.

Floor level (see back of page for instructions on mounting higher up)

1. Using white gloves provided, carefully layout all brass or nickel fittings on a protected surface. Some assembly will be required using the included allen wrench.
2. Start with the legs. The bottom collars and feet need to be installed to support the drawer 4-8" from the ground depending on model and preference. Carefully slide the legs through the drawer unit from the top and then slide the collars on from the bottom followed by the feet. Tighten the feet first and then set the collars so the distance from the bottom of the feet to the bottom of the drawer (top of collar) is the same as the 2x2" supports included.
3. Set the 2 pcs of 2x2 wood supports against the back wall where the console is to be installed.
4. Move the drawer and legs into position with the rear of the drawer being supported by the 2x2's. At this time the drawer should be close to level, but does not need to be exact. Remove the drawer from the cabinet box by depressing the tabs on the drawer glides (one pushes up, the other pushes down) and level the back edge of the drawer (left to right)
Once level, use the supplied screws (and anchors if needed) to attach the cabinet box to the wall. For the strongest installation, we recommend locating at least one stud along the back of the cabinet and predrilling a 1/8" hole in the cabinet back.
5. Once the drawer is attached securely to the wall you can level front to back and left to right along the front edge by loosening the collars on the legs and moving up or down slightly.



Upper position (see front of page for instructions on mounting floor level)

1. Slide one collar onto each leg at the desired height for the bottom of the drawer.
2. Remove the drawer from the cabinet box by depressing the tabs on the drawer glides (one pushes up, the other pushes down)
3. With the help of someone else, carefully slide the empty drawer cabinet down onto the brass legs being careful not to twist it and scratch the legs.
4. Hold the unit level against the wall. Be sure to level left to right AND front to back. Once level, use the supplied screws (and anchors if needed) to attach the cabinet to the wall. For the strongest installation, we recommend locating at least one stud along the the back of the cabinet and predrilling a 1/8" hole in the cabinet back.
5. Once the drawer is attached to the wall, check for level again. Any fine tuning can be done at the front collars using the provided allen wrench.
6. Insert the drawer back into the cabinet.