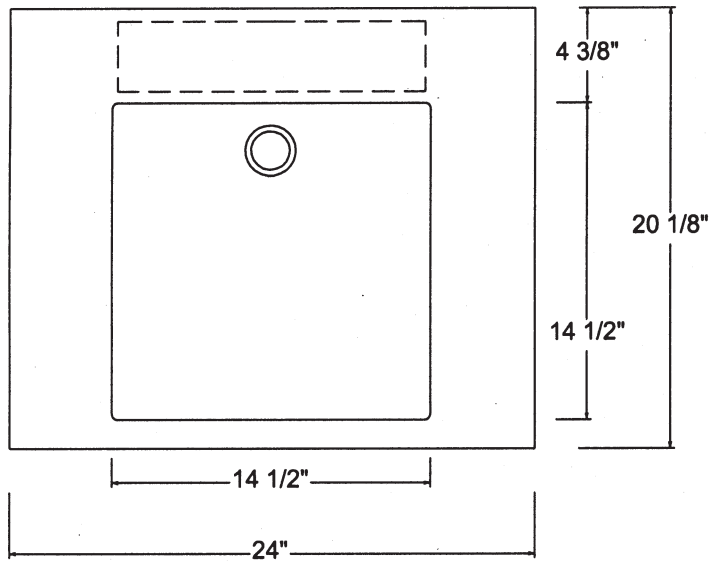


IVG-24 SLAB VANITY

© 2007 STONE FOREST, INC.



TOP VIEW



Available in:

Carrara marble (CA)

Honed basalt (HB)

Fits SS-05-24 stainless stand

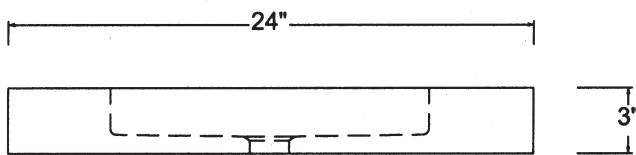
Approx thickness at drain is .75" .

Required drain use 9054D Grid Drain or 9058D lift and turn. Drains are 1.25" NPT. This can be supplied by Stone Forest at your request in select finishes

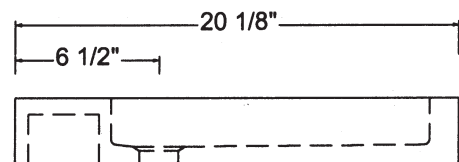
Please specify quantity and location of any faucet holes when ordering. See price page P12 for drilling charges

Do not use pop-up drain.

Approx 120 lbs



FRONT VIEW



SIDE VIEW

STONE
FOREST