



## CP-04D COPPER DOUBLE BASIN FARMHOUSE

© 2003 STONE FOREST, INC.

Hand-crafted 16 gauge copper construction.

Antique Dark Finish.

Stone Forest copper sinks are hand patinated.  
Expect variations in finish.

Unique double wall construction on all sides  
enables a number of mounting options,  
including under-mount, flush mount, partially  
elevated and above counter.

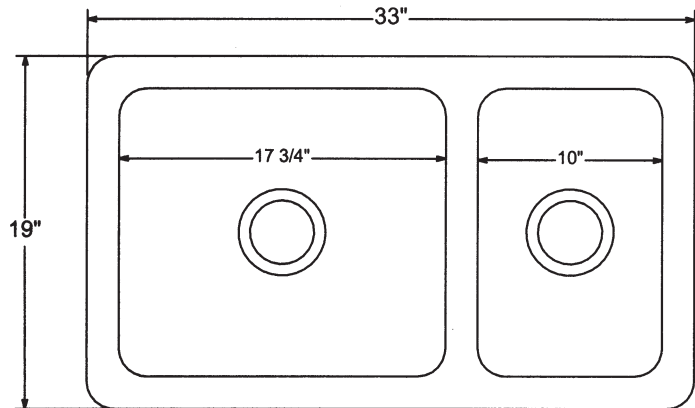
**NOTE:** hammered finish on front and back  
allowing for left or right hand installations.

Foam filled for sound dampening

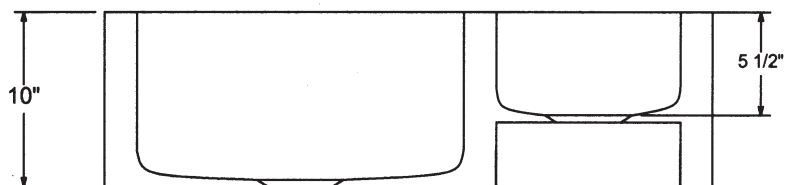
Will fit most 3-1/2" drain assemblies  
or disposals. Do not use plumber's putty.

**NOTE:** due to size variations, final cabinet  
and countertop construction should be  
done with the sink on hand.

Approx 50 lbs



TOP VIEW



SIDE VIEW

STONE  
FOREST