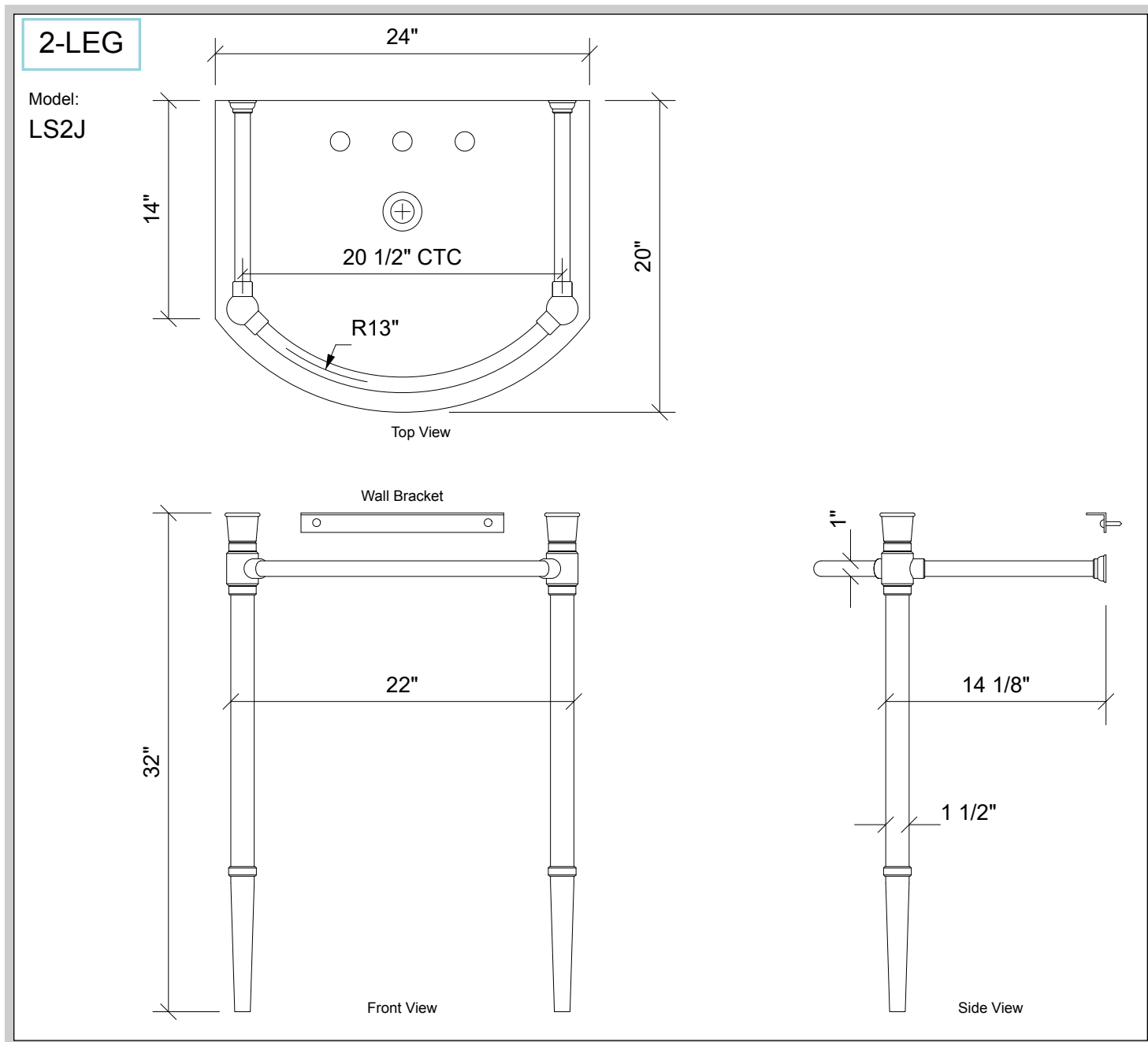
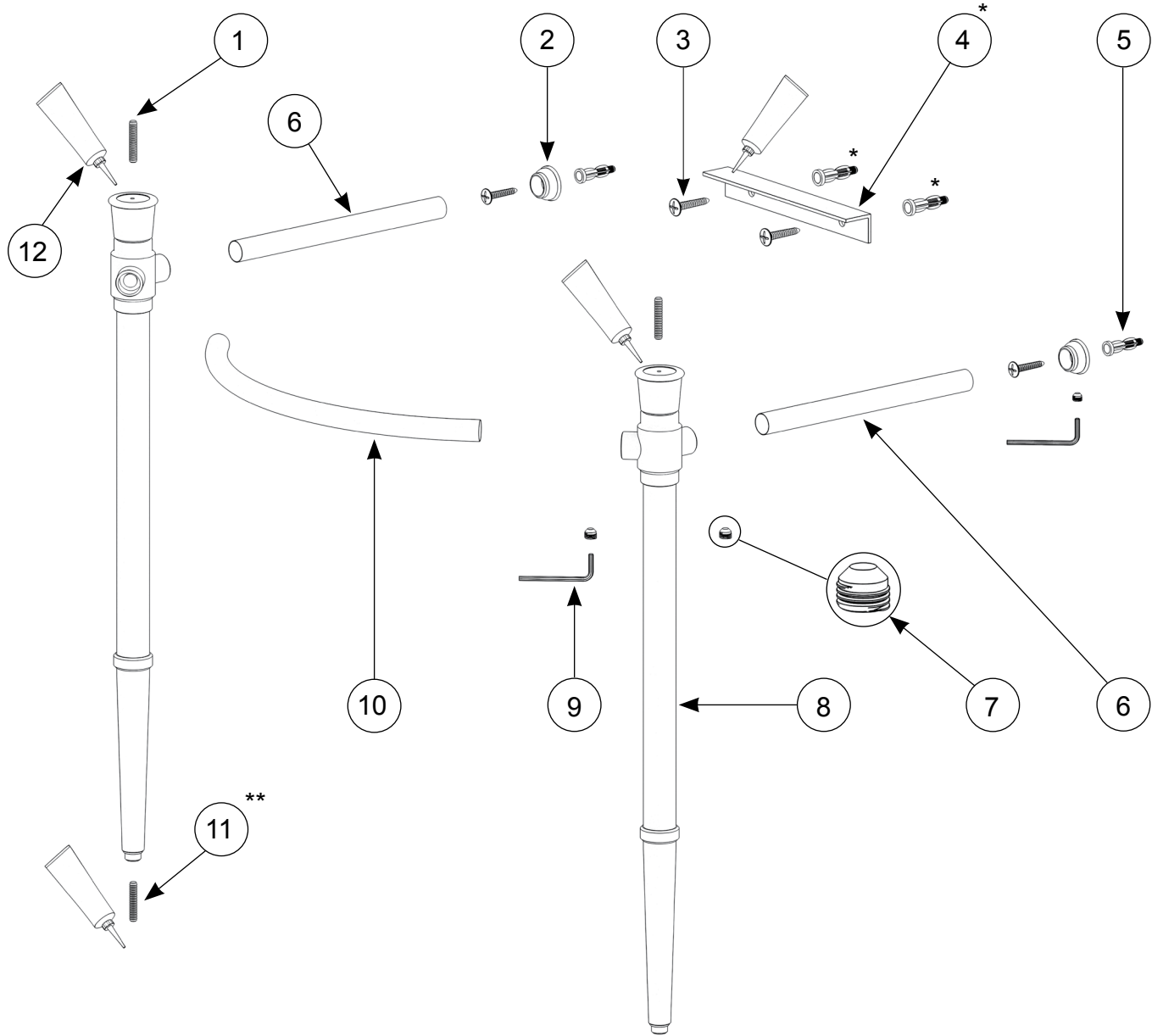




**Specifications shown below represent standard sizes only.
Palmer Leg Systems are custom built to ANY dimensions.**

[Download DXF Drawing File](#)





- | | |
|---------------------|------------------------------|
| 1. Counter Pin | 7. Set Screw |
| 2. Wall Flange | 8. Leg Assembly |
| 3. Structural Screw | 9. Hex Wrench |
| 4. Wall Bracket* | 10. Curved Front Crossbar |
| 5. Wall Anchor | 11. Floor Pin** (same as #1) |
| 6. Wall Return | 12. Silicone Adhesive |

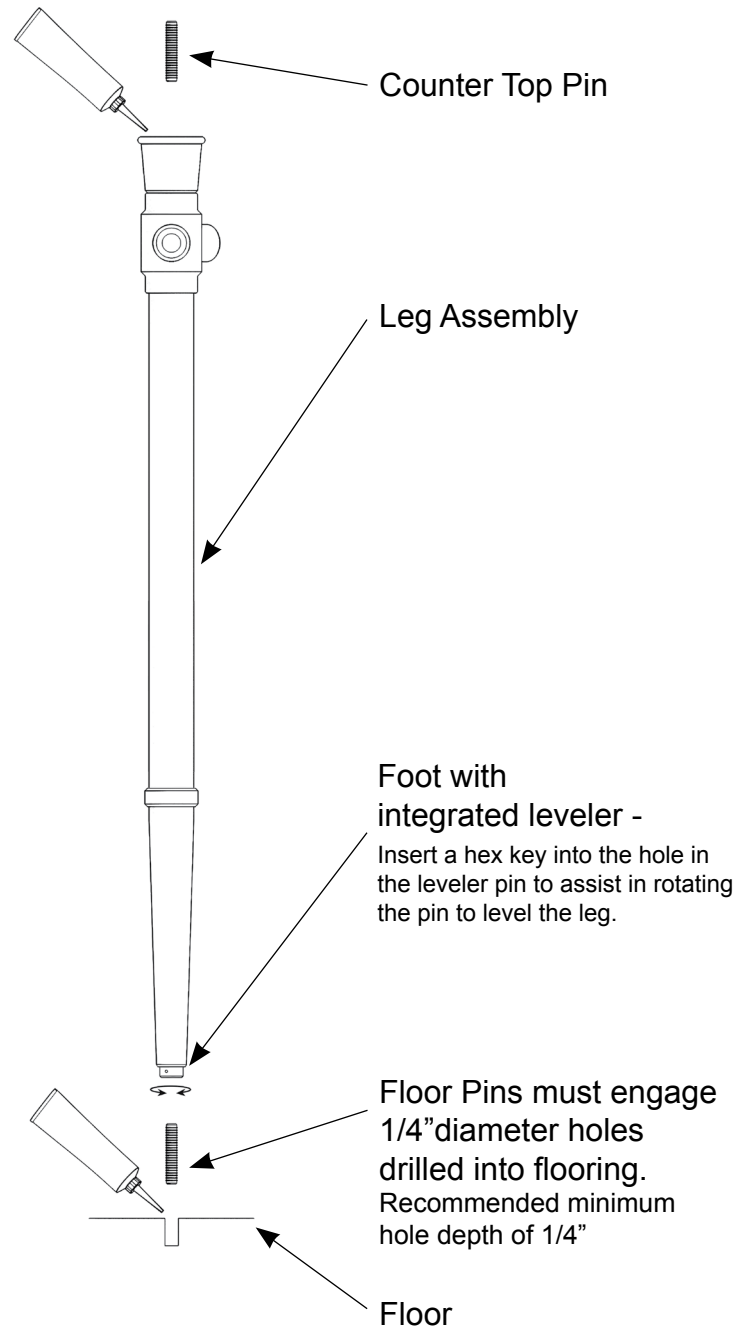
* It is recommended that load bearing Wall Bracket (#4) be screwed into framing or blocking.
see: Wall Bracket Installation page

** Floor Pins (#11) MUST engage 1/4" diameter holes drilled into flooring



INSTALLATION INSTRUCTIONS

- Determine that you have received the correct product before unpacking and unwrapping the leg system components.
- The leg system components must be protected from abrasion and scratching during installation. Use padding on the floor to protect your console during layout and assembly.
- The Jamestown style is designed and sized to fit the Stone Forest Harbor sink or tops of the same size and shape.
- Verticals must be plumb and horizontals must be level. Wall Returns and Shelf Supports must be parallel, and square to the Horizontal Crossbar. Leg heights may be adjusted to achieve a level counter top by rotating the integrated leveler.
- Leg assemblies must be positioned so that the set screw holes face toward the back wall and Wall Flanges must be rotated so that the set screw holes are not visible from a standing position in front of the vanity.
- Wall bracket must be secured solidly to the wall to bear the weight of the counter top.
- Legs **MUST** be pinned to the floor to prevent lateral movement.
- The counter top must be attached to the tops of the legs and the wall bracket with silicone adhesive. Confirm that the installation is correct and complete and that the shelf, if included, fits properly before permanently gluing the counter top into place.



SEE ADDITIONAL PAGES FOR INSTRUCTIONS SPECIFIC TO INCLUDED OPTIONS.



WALL BRACKET INSTALLATION INSTRUCTIONS

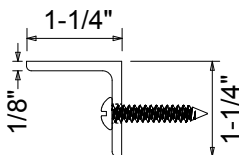
PROPER INSTALLATION OF THE PROVIDED ALUMINUM ANGLE WALL BRACKET(S) IS CRITICALLY IMPORTANT TO THE STRUCTURAL INTEGRITY OF OUR LEG SYSTEMS.

- Fastening the wall bracket to solid wood blocking in the wall is highly recommended. A MINIMUM OF (3) FASTENERS SHOULD BE USED. If solid blocking is not available, fasten bracket to stud framing in the wall. Use the included fasteners or fasteners of the appropriate length to engage sufficiently with the framing.
- The bracket has pre-drilled holes for easy fastening. However if the pre-drilled holes do not align with the stud framing in the wall, additional holes must be drilled into the bracket at the stud location(s).
- The wall bracket must be carefully positioned such that the top surface of the bracket is perfectly level with the top of ALL legs and risers.
- A generous bead of silicone (adhesive) must be applied to the top of the wall bracket and the tops of the legs (and rear risers if applicable) in order to secure the sink top.

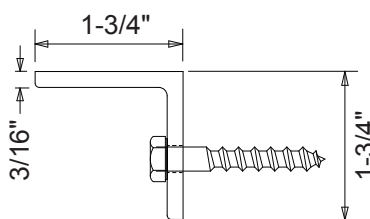
TILE WALL / DRYWALL APPLICATIONS - Standard Wall Bracket

- If the stud locations can be determined, drill holes in the tile at these locations and use #12 screws of the appropriate length to engage with the framing at least 1-1/2".
- For non-stud locations, drill 9/32" holes into the tile and use the provided red anchors and #12 screws.

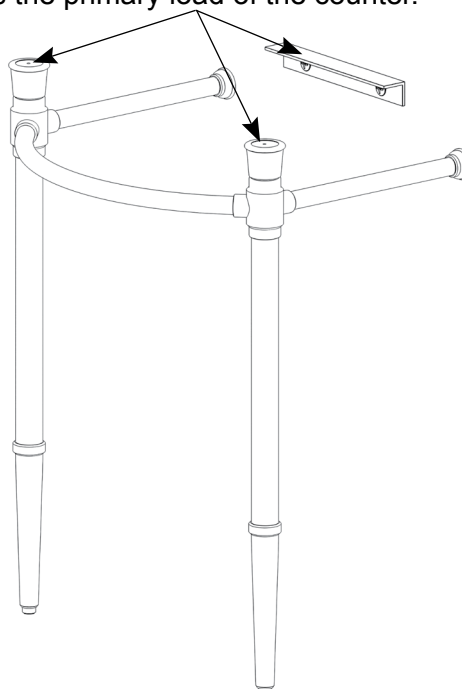
* Standard Wall Bracket



** Heavy Duty Wall Bracket



Bears the primary load of the counter.





Polished Chrome
(PC) \$\$\$\$



Polished Nickel
Un-Lacquered
(PN) \$\$\$\$



Satin Nickel
Un-Lacquered
(SN) \$\$\$



Aged Nickel
Un-Lacquered
(AN) \$\$\$



Semi Matte Black
Powder Coat
(MB) \$\$\$\$



Polished Brass
Lacquered
(PBL) \$\$\$\$



Polished Brass
Un-Lacquered
(PBUL) \$\$\$\$



Satin Brass
Lacquered
(SBL) \$\$\$



Satin Brass
Waxed
(SBW) \$\$\$



Aged Brass
Un-Lacquered
(ABUL) \$\$\$\$



Oil Rubbed Bronze
Un-Lacquered
(ORB) \$\$\$



Polished Brass
PVD
(PBPVD) \$\$\$\$



Satin Brass
PVD
(SBPVD) \$\$\$\$



Polished Gold
PVD
(PGPVD) \$\$\$\$



Satin Gold
PVD
(SGPVD) \$\$\$\$

FINISH COLOR VARIABLES

The finish colors you see on this website are approximate and may appear to be different from the actual product you receive.

Different devices and monitors may display colors differently and the lighting will also affect the color you perceive.

Some of these are hand-applied "artisanal" finishes and may vary. Other finishes are "living" finishes and will change & patina with age.

The Premium PVD Finishes: Durable, Colorful and Care-Free Finishing Technology – Available at a Premium Cost with an extended production lead time. [learn more about PVD finishes](#)



Perma-Clear Acrylic



Seafoam Acrylic



Reeded Tubing



Walnut Heartwood