

Vintage Washbasin • C90-27SK
with Elemental Crossbar Vanity
CUSTPFT-ST-CNR-27

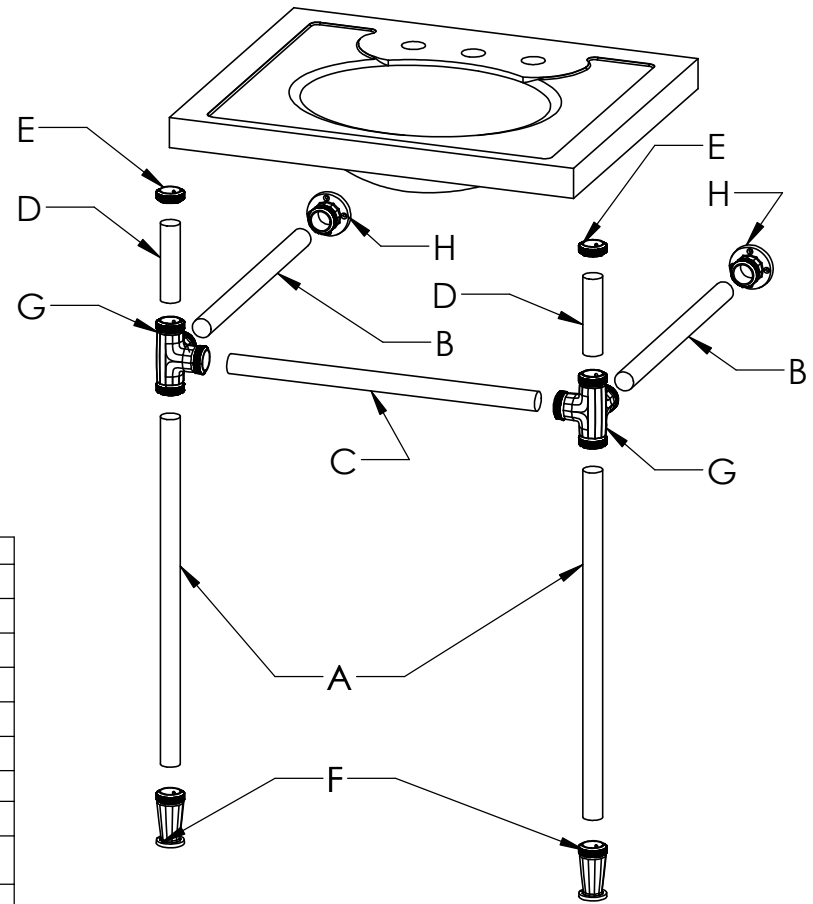
Due to the hand-carving of each piece, small variances in shape and size are to be expected.

SIZE **A** DWG. NO. CUSTPFT-ST-CNR-27 -Vintage w Facet CNR Stand REV. **A**

WEIGHT: SHEET 1 OF 1

©2022 Stone Forest, Inc.

DO NOT SCALE DRAWING



part	item code	description	qty	X
(A)	PFS-TB-23	23" TUBE	X2	
(B)	PFS-TB-23	23" TUBE (cut to 19")	X2	
(C)	PFS-TB-23	23" TUBE (cut to 21")	X1	
(D)	PFS-TB-5	5" TUBE	X2	
(E)	PFT-FCT-CLLR	COLLAR	X2	
(F)	PFT-FCT-FOOT	FOOT/SET	X1	
(G)	PFT-FCT-CNR	CORNER - 4-WAY FITTING	X2	
(H)	PFT-FCT-WALL	ESCUTCHEON	X2	
		2" #8 screws-br or ni w/wall anchors [for part (I) above]	x10 ea	
		1"x1"x8" aluminum wall bracket to secure sink to wall	x2	
allen wrench (1), white gloves (1pr), extra set screws (6)				



Vintage Washbasin (C90-27) with Custom Elemental Stand with Crossbar (CUSTPFT-ST-CNR)

DWG. NO. CUSTPFT-ST-CNR-27 -Vintage w Facet CNR Stand exp

DO NOT SCALE DRAWING

©2021 Stone Forest, Inc.

stand finish _____



circle one