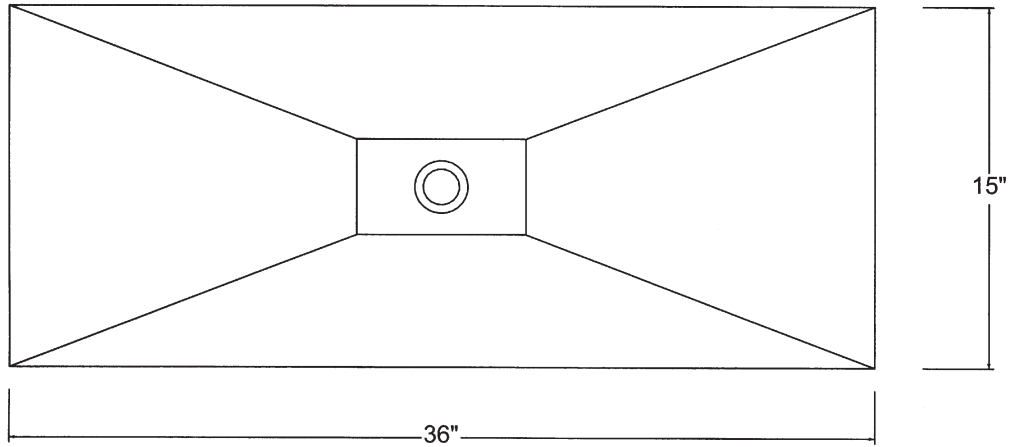
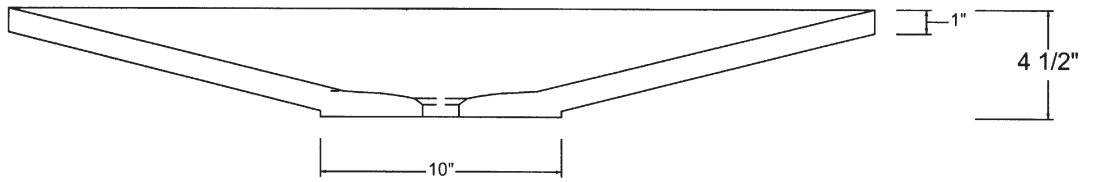


C50-36
VERONA VESSEL

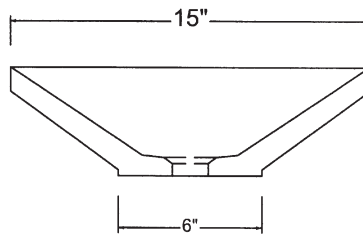
© 2004 STONE FOREST, INC.



TOP VIEW



FRONT VIEW



SIDE VIEW

Approx thickness at drain is 3/4" .

Required drain use 9054D Grid Drain or 9058D Lift & Turn. Drains are 1.25" NPT. This can be supplied by Stone Forest at your request in select finishes.

Do not use pop-up drains

Approx 95 lbs

UPC® listed