



C26-FCT NATURAL VESSEL WITH FAUCET MOUNT

© 2003 STONE FOREST, INC.

Each Natural Vessel is drilled to accommodate most single-hole faucets and is counter-bored on the underside for easier installation.

A hole for the faucet plumbing will need to be drilled in the countertop for plumbing to pass through. (Please wait until sink is on site to verify location.)

Each one-of-a-kind Natural Vessel is carved from a granite boulder. Shape, size and color will vary.

Approx thickness at drain is 1-1/2" .

Requires tailpiece with extra long threads such as California Faucets 9054-D or 9058-D.

Available in:

Green-Gray Granite

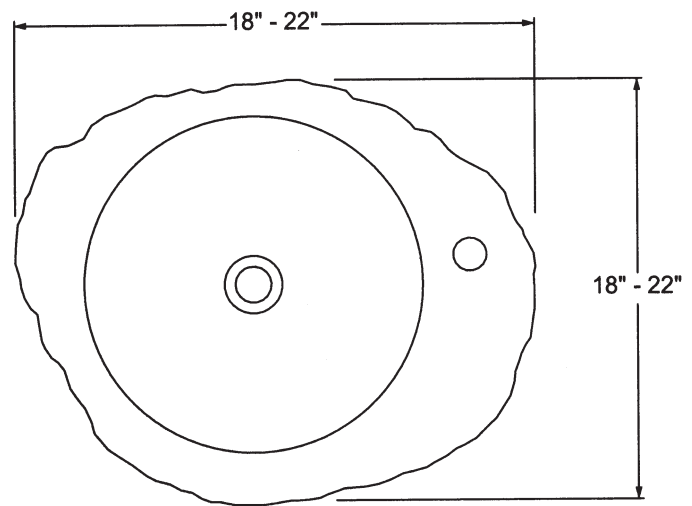
with Weathered Exterior (GG)

Black Granite with Weathered Exterior (BLK)

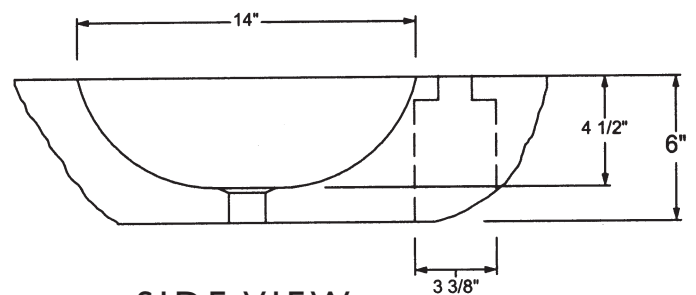
Do not use pop-up drains

Approx 90 lbs

UPC® listed



TOP VIEW



SIDE VIEW

STONE
FOREST