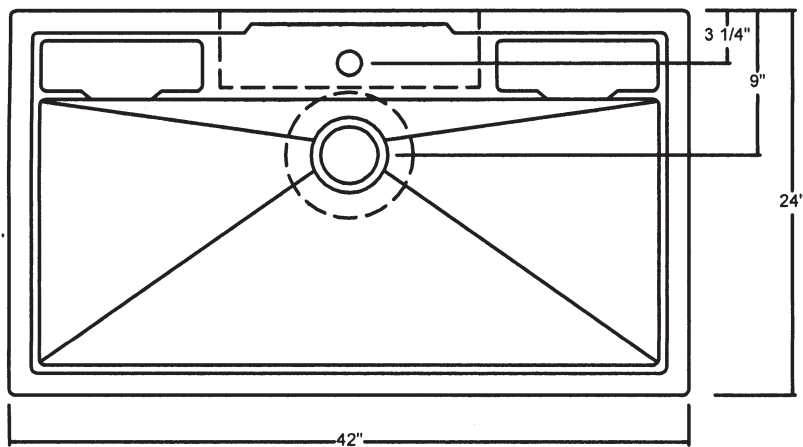


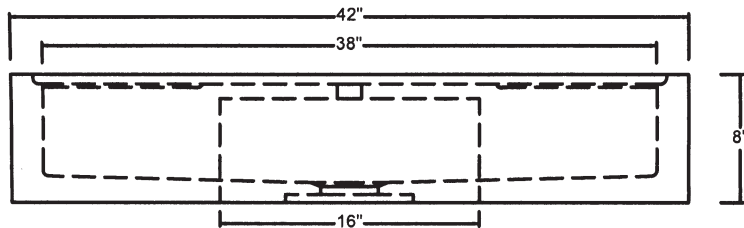


C04-OTD-ST2 SALUS OUTDOOR KITCHEN SINK

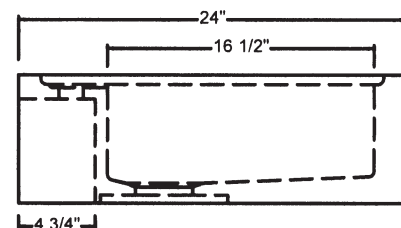
©2011 STONE FOREST, INC.



TOP VIEW



FRONT VIEW



SIDE VIEW

- Available in:
Honed Black Granite (HONEBL)
- Straight sides for easier cabinet installation.
- Pre-drilled with one faucet hole.
Specify if more are needed.
- Will fit most 3-1/2" drain assemblies or disposals. Do not use plumber's putty.
- NOTE: Due to size variations, final cabinet and countertop construction should be done with the sink on hand.
- Approx 300lbs