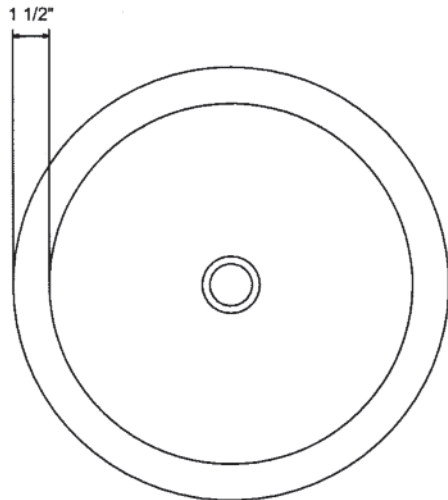
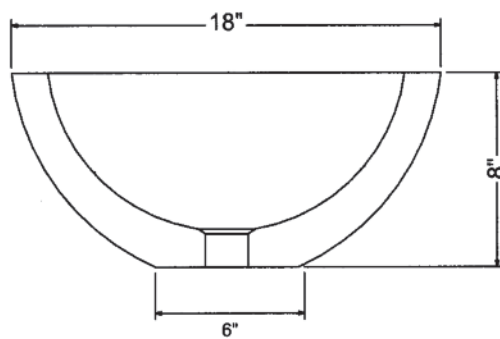


C01
ROUND VESSEL

© 1993 STONE FOREST, INC.



TOP VIEW



SIDE VIEW

Rough exterior with polished rim and interior

Available in:

Black Granite (BL)

Blue-grey Granite (BG)

Approx thickness at drain is 1-1/2".

Required drain use 9054D Grid Drain
or 9058D Lift & Turn. Drains are 1.25" NPT.

This can be supplied by Stone Forest at
your request in select finishes.

Do not use pop-up drains

Approx 80 lbs

UPC® listed