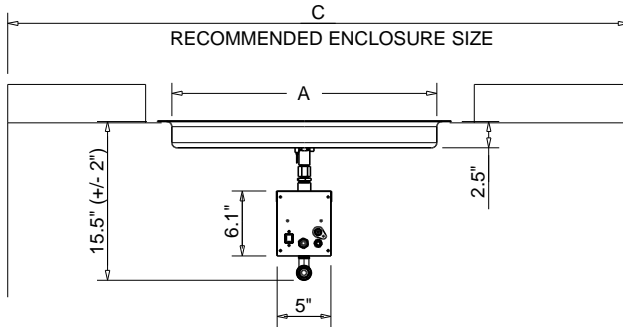


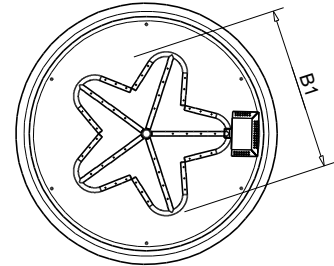


Hearth Products Controls Co
CSA CERTIFIED-OUTDOOR USE ONLY

HEARTH PRODUCTS CONTROLS
 3050 PLAINFIELD RD.
 KETTERING, OH 45432
 TOLL FREE: 1-877-433-7001
 PHONE: (937) 433-7000
 FAX: (937) 433-0704
 www.hpcfired.com



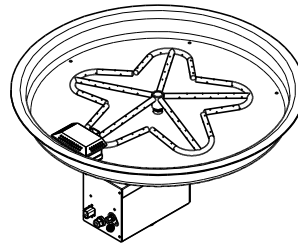
FRONT ELEVATION



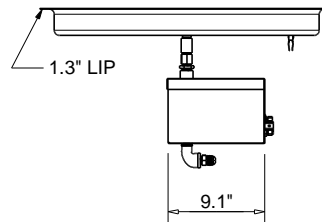
PENTA BURNER OPTION

AVAILABLE IN 120VAC OR 24VAC

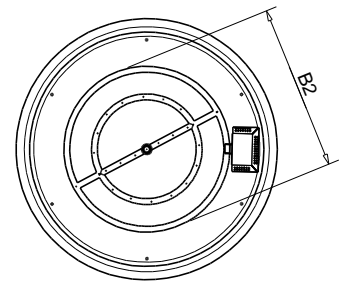
| PART NUMBERS | STND BTU | DIMENSION CHART | | |
|--------------|-------------|-----------------|-----|----|
| | | A" | B1" | C" |
| PENTA BURNER | | | | |
| PENTA19 HWI | 65K | 19 | 12 | 54 |
| PENTA25 HWI | 125K | 25 | 18 | 72 |
| PENTA31 HWI | 200K | 31 | 24 | 72 |
| PENTA37 HWI | 250K | 37 | 30 | 80 |
| PENTA43 HWI | 400K | 43 | 36 | 90 |
| ROUND BURNER | | A" | B2" | C" |
| 13SSHWI | 90K | 13 | 12 | 54 |
| 19SSHWI | 90K | 19 | 12 | 54 |
| 25SSHWI | 150K | 25 | 18 | 54 |
| 31SSHWI | 250K | 31 | 24 | 54 |
| 37SSHWI-HC | 250K | 37 | 30 | 72 |
| 43SSHWI-HC | 400K | 43 | 36 | 80 |



ISOMETRIC VIEW



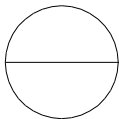
SIDE ELEVATION



ROUND BURNER OPTION

Notes:

1. FOR USE WITH FIXED PIPING SYSTEMS ONLY.
2. NOT FOR USE WITH SMALL TANKS.
3. ALL ENCLOSURES REQUIRE 2 each 18 SQ/IN VENTS ON OPPOSING SIDES AND ADEQUATE DRAINAGE.
4. RESIDENTIAL GAS PRESSURE ONLY. (NG- 7.0" WC, LP- 11.0" WC)
5. MODIFICATION OF PRODUCT WILL VOID ANY CERTIFICATION AND WARRANTY.
6. FOLLOW ALL MANUFACTURER INSTALLATION INSTRUCTIONS AND LOCAL CODES.
7. ALL DIMENSIONS ARE CONSIDERED TRUE AND REFLECT MANUFACTURER'S SPECIFICATIONS AS OF THE REVISION DATE.
8. DO NOT SCALE DRAWING.
9. THESE DRAWINGS ARE FOR SIZING AND PLANNING PURPOSES. ALL INFORMATION CONTAINED HEREIN WAS CURRENT AT THE TIME OF DEVELOPMENT. THE MANUFACTURE IS RESPONSIBLE FOR THE ACCURACY OF THE DRAWING.
10. CONTRACTOR'S NOTE: FOR PRODUCT AND COMANY INFORMATION VISIT www.CADdetails.com/info REFERENCE NUMBER 771-012.



HWI FIRE PIT INSERT
HWI BOWL ROUND PAN - FLAME SENSING WITH ELECTRONIC HOT WIRE IGNITION