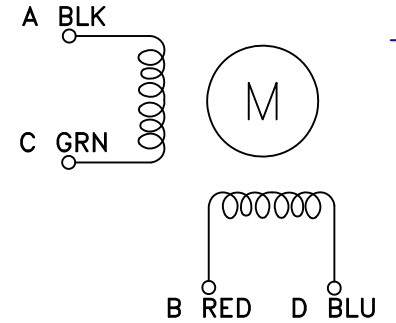


Diagram



Label by laser print on back side. (printing be centered)

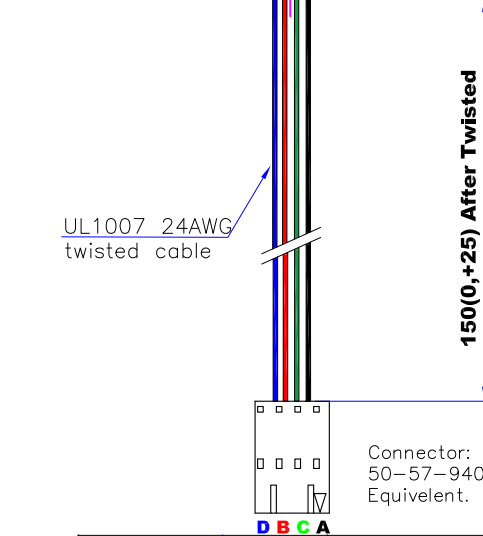
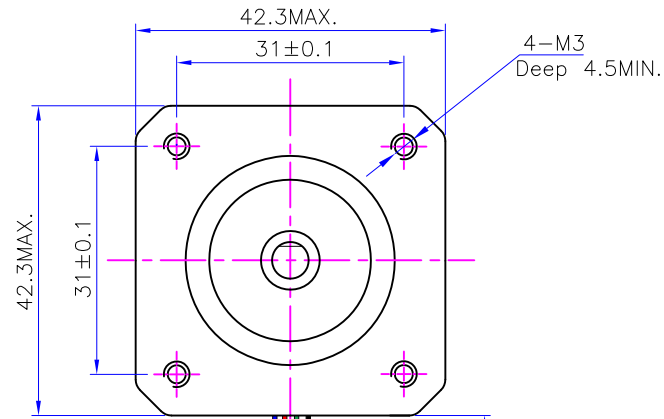
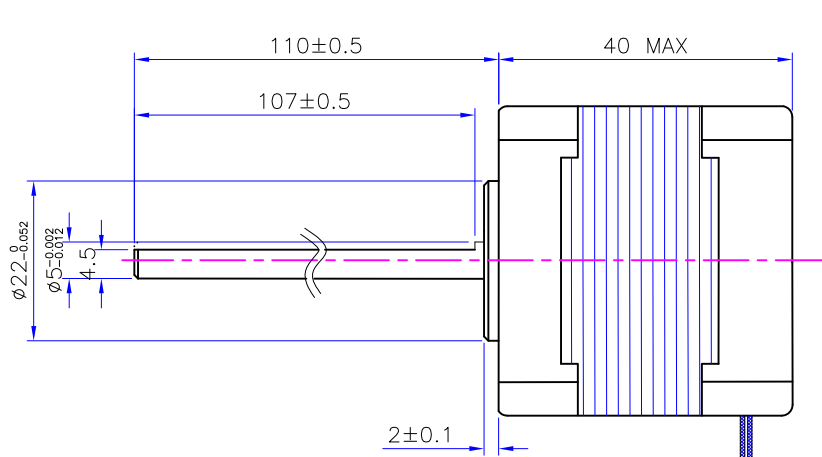
**LDOMOTORS.COM**  
 1.8° Hybrid Stepper Motor  
 LDO-42STH40-1004A #YYMMDD

Items	Specs
Phase Number	2 phases
Step Angle	1.8° ±5%
Rated Current	DC 1.0 A / Phase
Resistance(20°C)	6.5±10% Ω / phase
Holding Torque	≥4.8 Kg-cm
Rotate Direction	ACBDA CW
Insulation Class	Class B
Weight	0.3 Kg REF.

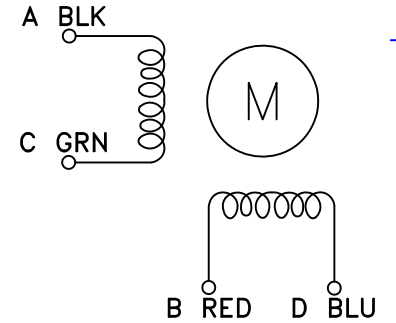
REV	ECN NO	Description	Made by	Approve	Date
A	---	New Release	Xu SD	J. B.	10/18/18

<b>LDO MOTORS</b>				<b>LDO MOTORS CO.,LTD</b>	
Scale		<b>MMU2 Motor Idler</b>			
Des.	Check	Appr.	Date	Factory Code	page 1/1



Diagram



Label by laser print on back side. (printing be centered)

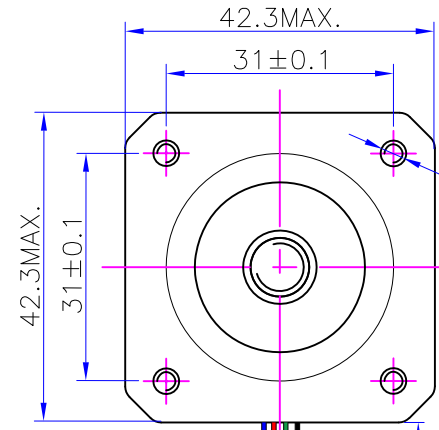
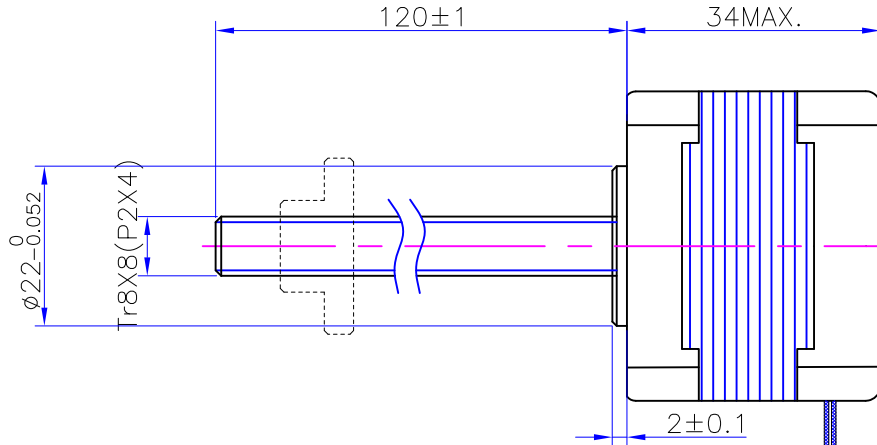
**LDOMOTORS.COM**  
 1.8° Hybrid Stepper Motor  
 LDO-42STH40-1004A #YYMMDD

Items	Specs
Phase Number	2 phases
Step Angle	1.8° ±5%
Rated Current	DC 1.0 A / Phase
Resistance(20°C)	6.5±10% Ω / phase
Holding Torque	≥4.8 Kg-cm
Rotate Direction	ACBDA CW
Insulation Class	Class B
Weigth	0.3 Kg REF.

REV	ECN NO	Description	Made by	Approve	Date
A	---	New Release	Xu SD	J. B.	10/18/18

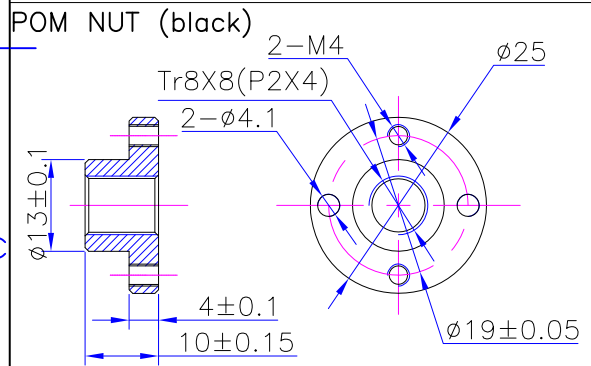
<b>LDO MOTORS</b>				<b>LDO MOTORS CO.,LTD</b>	
		Scale		<b>MMU2 Motor Pulley</b>	
Des.	Check	Appr.	Date	Factory Code	page 1/1



Label by laser print on back side. (printing be centered)

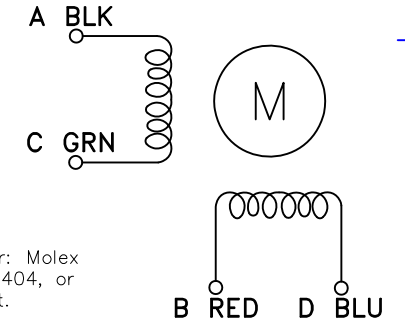
**LDOMOTORS.COM**  
 Linear Stepper Motor  
 LDO-42STH34-1004L120E #YYMMDD

4-M3  
 DEEP 4.5MIN.



UL1007 24AWG twisted cable

200(0,+25) After Twisted



Connector: Molex 50-57-9404, or Equivalent.

Items	Specs
Phase Number	2 Phases
Step Angle/Length	1.8° ± 0.09° /0.04mm
Rated Current	DC 1.0A / Phase
Resistance(20°C)	8 × (1 ± 15% Ω) ohm
Push Force	11Kg (107.8N)
Rotate Direction	ACBDA CW
Insulation Class	B
Weight	0.29 Kg REF.

REV	ECN	Description	Made	Appr	Date
A	---	New Release	Xu SD	J.B.	10/18/18

<b>LDO MOTORS</b>	View		<b>LDO MOTORS CO.,LTD</b>		
	Scale	1: 1			
			<b>MMU2 Motor Selector</b>		
			Des	Check	Appr