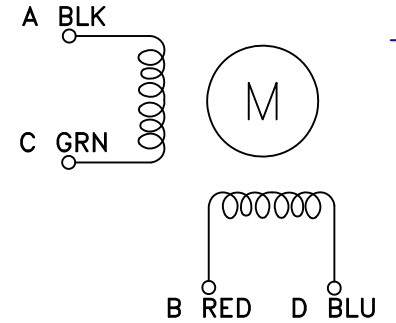




Diagram





Label by laser print

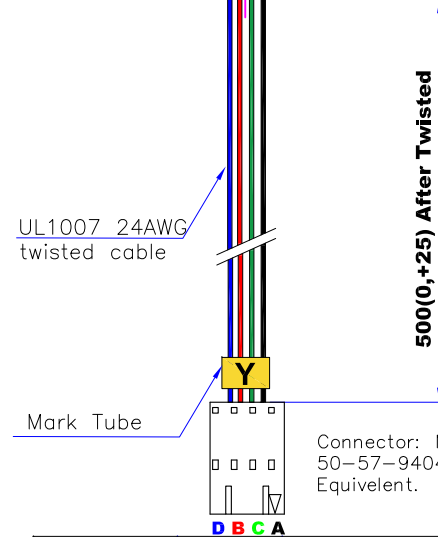
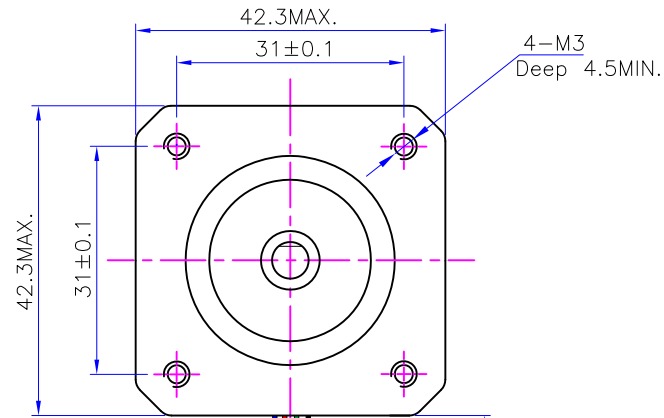
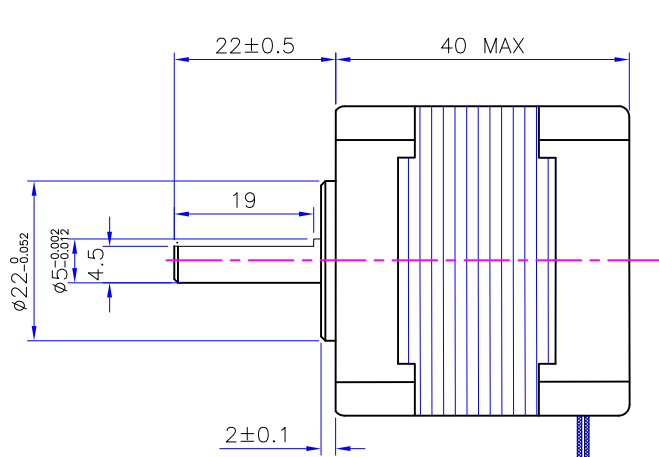
 **LDOMOTORS.COM**  
 1.8° Stepper Motor   
 LDO-42STH40-1004A #YYMMDD

Items	Specs
Phase Number	2 phases
Step Angle	1.8° ±5%
Current	DC 1.0 A / Phase
Resistance	6.5 ±15% ohm / Phase
Holding Torque	≥4.8 Kg-cm (0.48Nm)
Rotate Direction	ACBDA CW
Insulation Class	Class B
Weight	0.3 Kg REF.

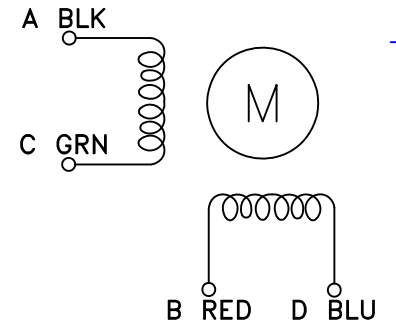
REV	ECN NO	Description	Made by	Approve	Date
A	---	New Release	Xu SD	J. B.	8/28/18



 <b>LDO MOTORS</b>				<b>LDO MOTORS CO.,LTD</b>	
		Scale		<b>MK3 Motor X Axis</b>	
Des.	Check	Appr.	Date	Factory Code	page 1/1



Diagram





Label by laser print

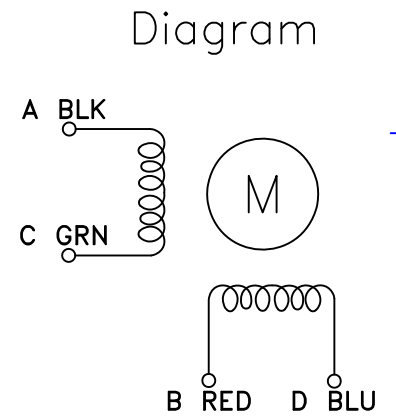
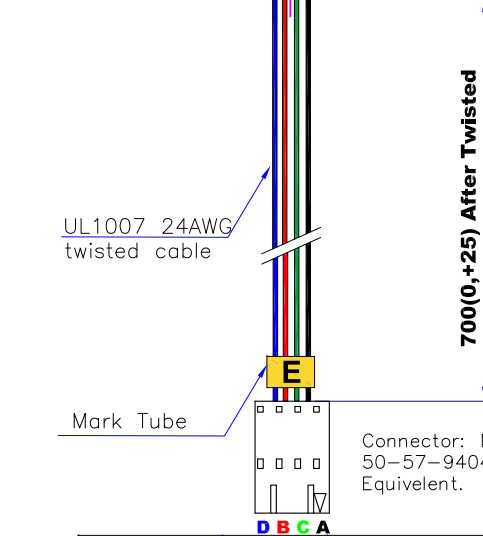
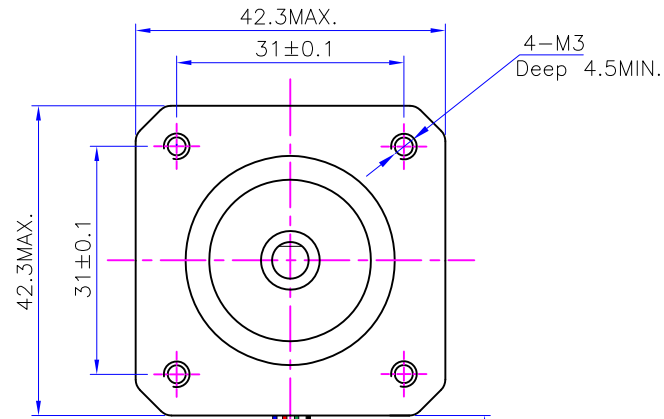
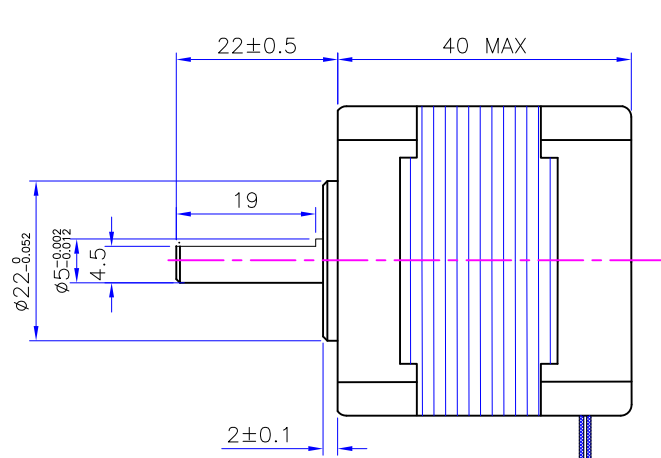
 **LDOMOTORS.COM**  
 1.8° Stepper Motor   
 LDO-42STH40-1004A #YYMMDD

Items	Specs
Phase Number	2 phases
Step Angle	1.8° ±5%
Current	DC 1.0 A / Phase
Resistance	6.5 ±15% ohm / Phase
Holding Torque	≥4.8 Kg-cm (0.48Nm)
Rotate Direction	ACBDA CW
Insulation Class	Class B
Weight	0.3 Kg REF.



REV	ECN NO	Description	Make by	Approve	Date
A	---	New Release	Xu SD	J. B.	8/28/18

 <b>LDO MOTORS</b>				<b>LDO MOTORS CO.,LTD</b>	
Scale		<b>MK3 Motor Y Axis</b>			
Des.	Check	Appr.	Date	Factory Code	page 1/1





Label by laser print

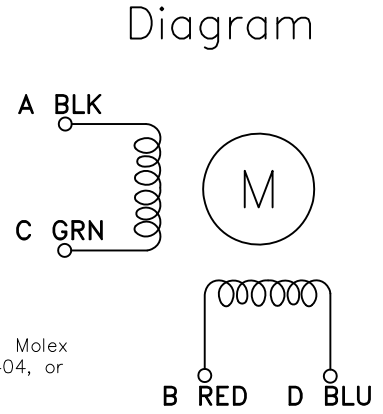
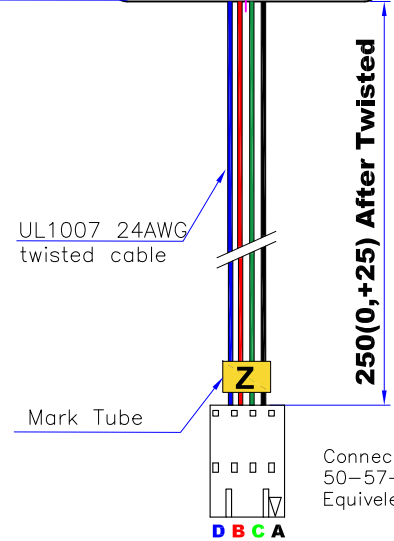
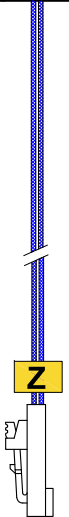
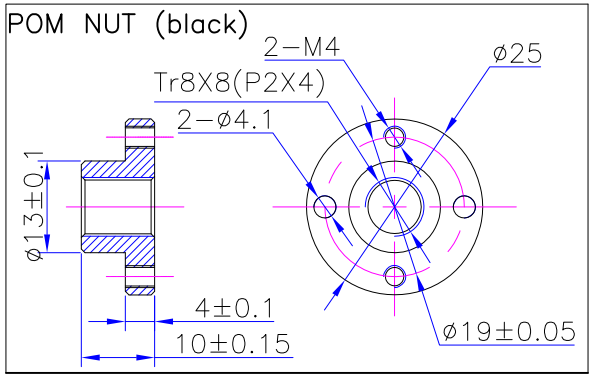
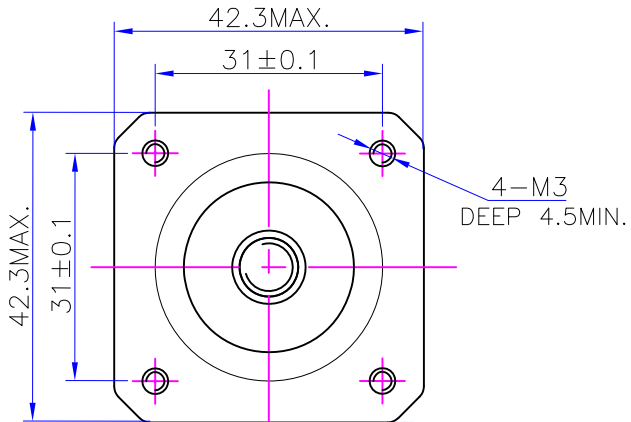
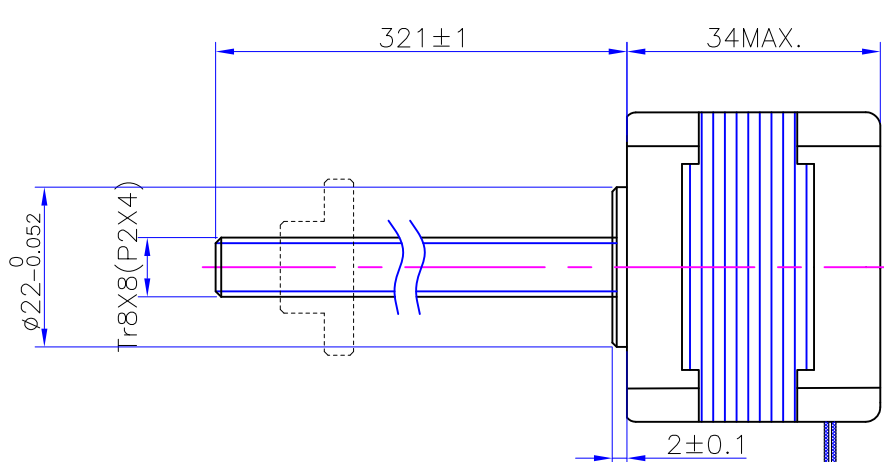
 **LDOMOTORS.COM**  
 1.8° Stepper Motor   
 LDO-42STH40-1004A #YYMMDD

Items	Specs
Phase Number	2 phases
Step Angle	1.8° ±5%
Current	DC 1.0 A / Phase
Resistance	6.5 ±15% ohm / Phase
Holding Torque	≥4.8 Kg-cm (0.48Nm)
Rotate Direction	ACBDA CW
Insulation Class	Class B
Weight	0.3 Kg REF.

REV	ECN NO	Description	Make by	Approve	Date
A	---	New Release	Xu SD	J. B.	8/28/18

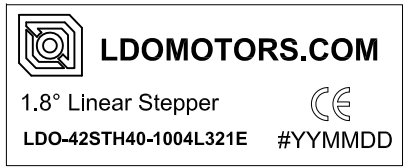
  

 <b>LDO MOTORS</b>		 Scale		<b>LDO MOTORS CO.,LTD</b>	
				<b>MK3 Motor Extruder</b>	
Des.	Check	Appr.	Date	Factory Code	page 1/1

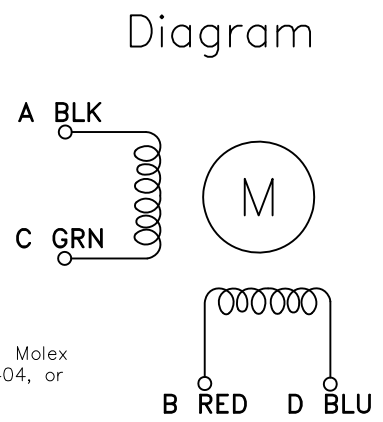
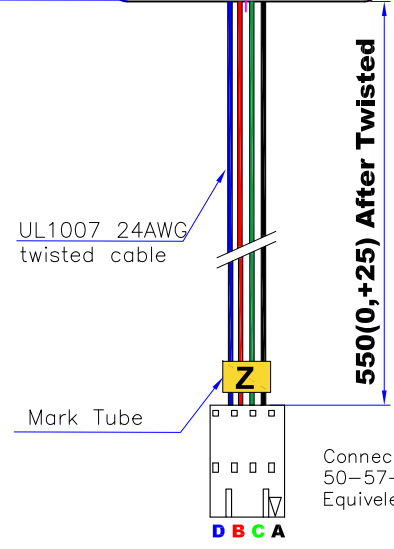
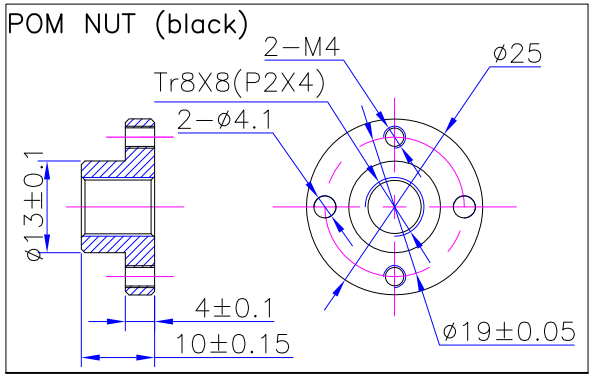
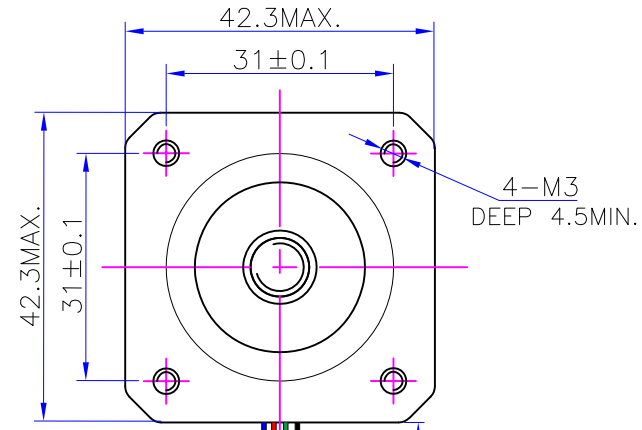
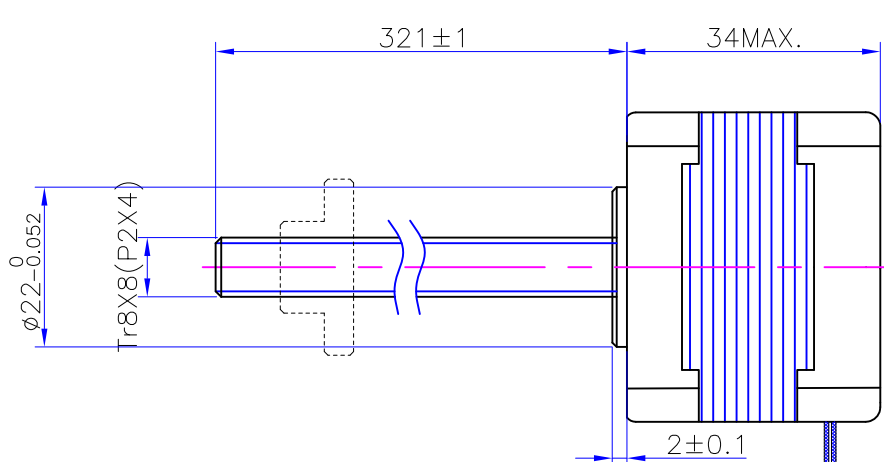


Items	Specs
Phase Number	2 phases
Step Angle/Length	1.8° ±0.09° / 0.04mm
Current	DC 1.0 A / Phase
Resistance	8.0 ±15% ohm / Phase
Push Force	≥11 Kg(107 N)
Rotate Direction	ACBDA CW
Insulation Class	Class B
Weight	0.3 Kg REF.

Label by laser print

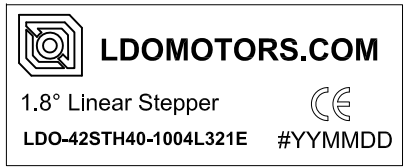


A		---	New Release	Xu SD	J.B.	8/28/18
REV	ECN	Description		Made	Appr	Date
LDO MOTORS		View		LDO MOTORS CO.,LTD		
		Scale	1: 1	MK3 Motor Z Left		
Des	Check	Appr	Date	Factory Code		page



Items	Specs
Phase Number	2 phases
Step Angle/Length	1.8° ±0.09° / 0.04mm
Current	DC 1.0 A / Phase
Resistance	8.0 ±15% ohm / Phase
Push Force	≥11 Kg(107 N)
Rotate Direction	ACBDA CW
Insulation Class	Class B
Weight	0.3 Kg REF.

Label by laser print



A		---		New Release		Xu SD		J.B.		8/28/18	
REV		ECN		Description		Made		Appr		Date	
LDO MOTORS		View				LDO MOTORS CO.,LTD					
		Scale		1: 1		MK3 Motor Z Right					
Des		Check		Appr		Date		Factory Code		page	