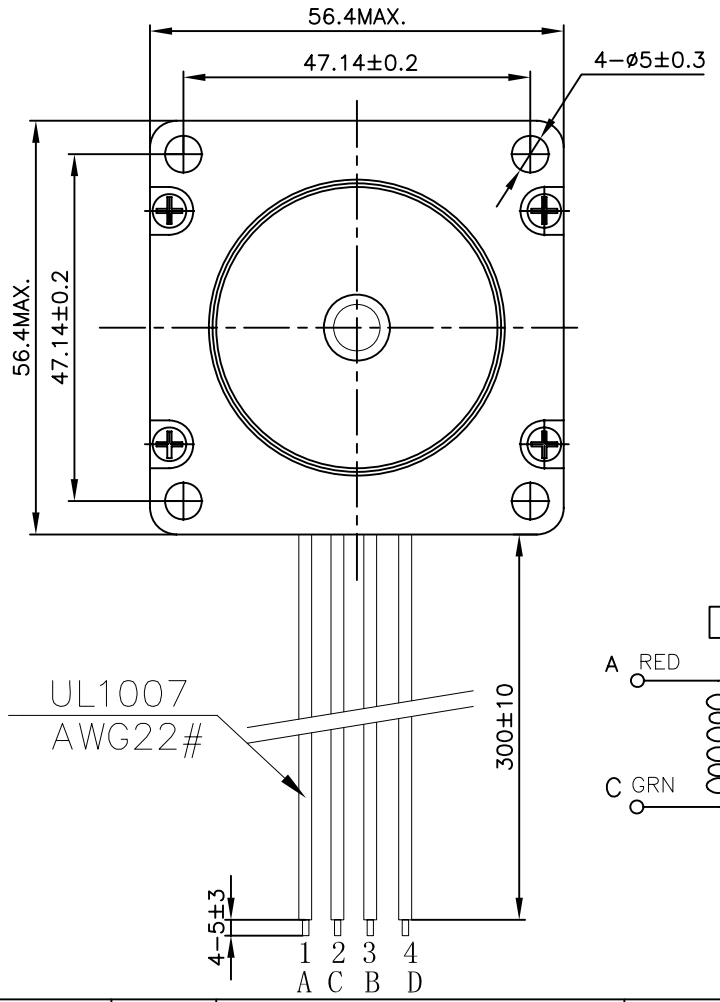
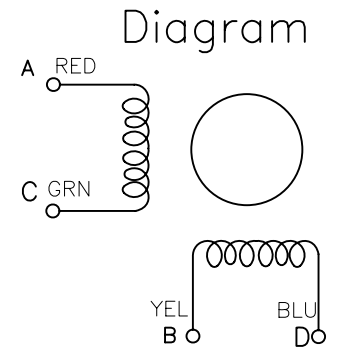


Label

1.8° Stepper Motor  
LDO-57STH56-2804A  
130426 LDO MOTORS



UL1007  
AWG22#



Items	Specs	Items	Specs							
Phase Number	2 phases	Step Angle	1.8° ±5%	B	ECN110 311ISP	Add shaft flat	Danny Z	J. B.	3. 11. 11	
Rated Voltage	3.0 VDC	Rated Current	DC 2.8 A / Phase	A	---	New Release	Danny Z	J. B.	1. 12. 11	
Resistance(20°C)	1.1±15% Ω / phase	Inductance	3.0±20% mH / Phase	REV	ECN NO	Description	Made by	Approve	Date	
Holding Torque	≥12.6 Kg-cm	Detent Torque	0.4 Kg-cm REF.				<b>LDO MOTORS CO.,LTD</b>  <b>Hybrid Stepper Motor</b> <b>LDO-57STH56-2804A</b>			
Rotate Direction	ACBDA CW	MAX Starting PPS	≥2500 PPS							Scale
MAX slewing PPS	≥5000 PPS	Insulation Resistance	≥100 MΩ (DC 500V)							
HI POT	AC600V/1mA/1S	Insulation Class	Class B							
Rotor Inertia	300 g.cm <sup>2</sup>	Weigth	0.7 Kg REF.	Des.	Check	Appr.	Date	Factory Code	23HD5223C-20B	page