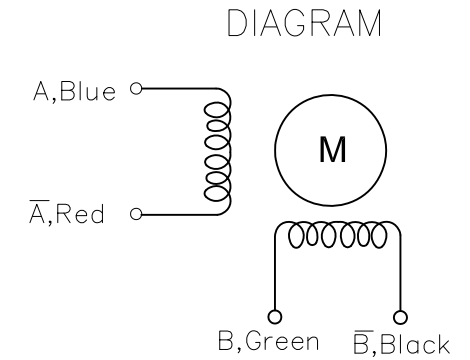
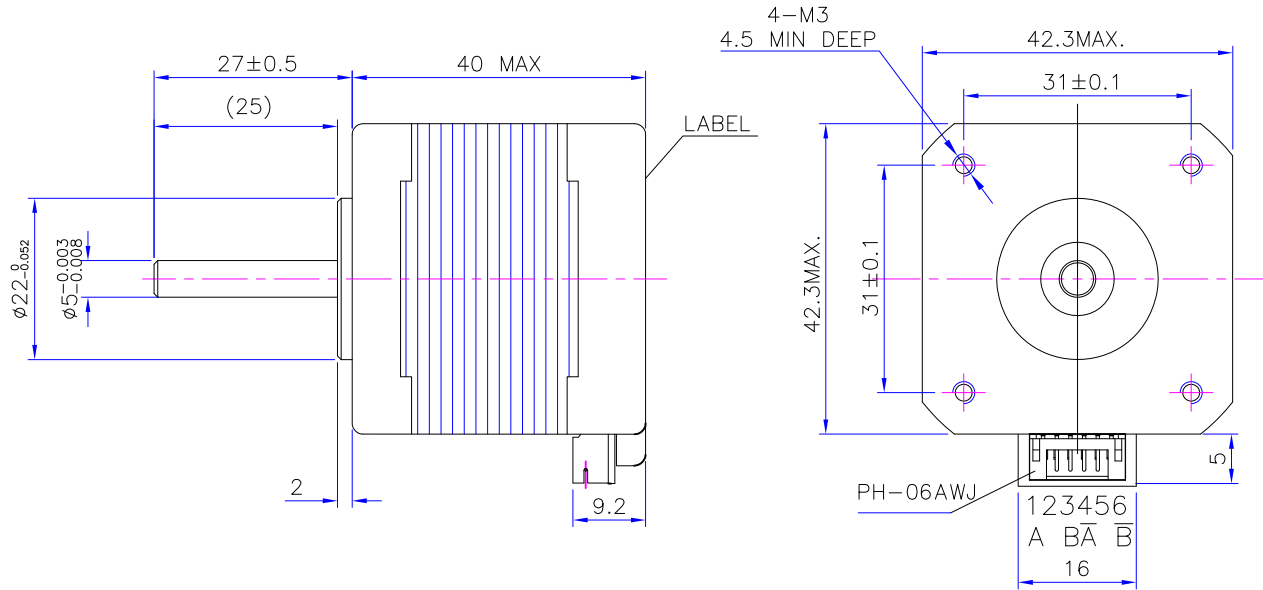
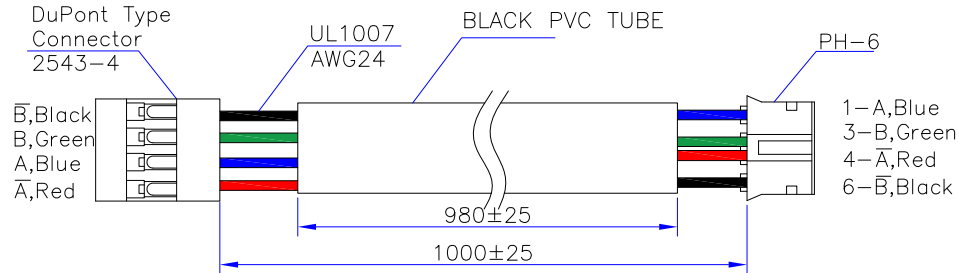
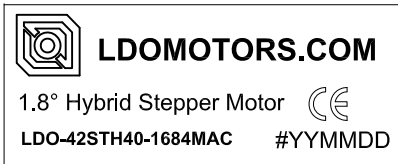


Compatible with E3D Compact-But-Powerful Stepper!



Label by laser print



Items	Specs	Items	Specs						
Phase Number	2 phases	Rotate Direction	A-B-A̅-B̅-A CW	A	---	New Release	SD XU	J.B.	11/20/18
Step Angle	0.9°±5%	HI POT	AC600V/1mA/1S	REV	ECN NO	Description	Made by	Approve	Date
Resistance	1.65±15% ohm	Insulation Resistance	≥ 100 MΩ(DC 500V)				LDO MOTORS CO.,LTD Hybrid Stepper Motor LDO-42STH40-1684MAC(E3D)		
Rated Current	DC 1.68 A /Phase	Insulation Class	Class B						
Holding Torque	≥36N.cm	Weight	0.28 Kg REF.	Des.	Check	Appr.	Date	Factory Code	page