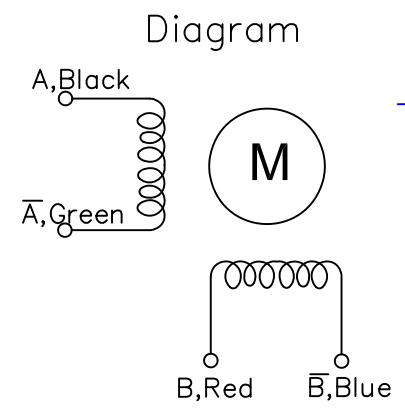


UL1332 26AWG  
Teflon Wire  
200 DegreeC  
(KEY Feature)

Connector: Molex  
50-57-9404, or  
Equivalent.  
(with locker tab)



# 0.9° SLIM POWER HIGH TEMPERTURE VERSION

Items	Specs	Items	Specs
Phase Number	2 phases	Step Angle	0.9° ±5%
Rated Voltage	DC 3.36V	Rated Current	DC 1.4 A / Phase
Resistance(20°C)	2.4±10% Ω / phase	Inductance	5.5±20% mH / Phase
Holding Torque	≥180mN.m	Detent Torque	10mN.m REF.
Rotate Direction	A-AB-B- CW	Insulation Resistance	≥ 100 MΩ (DC 500V)
HI POT	AC600V/1mA/1S	Weigth	0.15 Kg REF.
		Insulation Class	<b>Class H 180°C</b>

REV	ECN NO	Description	Made by	Approve	Date
A	---	New Release.	SD XU	J. B.	9/5/19

			<b>LDO MOTORS CO.,LTD</b>		
			<b>0.9° SLIM POWER HT-H LDO-42STH25-1404MAH</b>		
Des.	Check	Appr.	Date	Factory Code	page