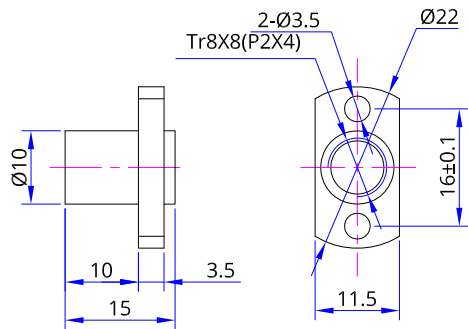
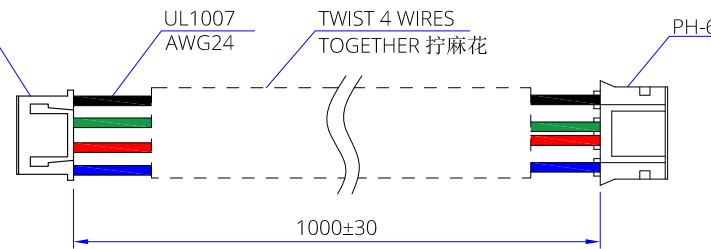


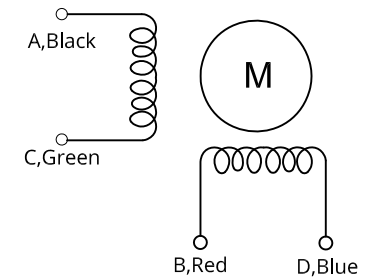
POM NUT (black)



Connector: JST XHP-4, or Equivalent.



DIAGRAM



Items	Specification	Items	Specification
Phase Number	2	Step Angle	1.8° ± 5%
Rated Voltage	DC 5.5V / Phase	Rated Current	DC 1.0A / Phase
Phase Resistance	5.5x(1±10%) Ω	Phase Inductance	.0x(1±20%) mH
Holding Torque	240mN-m MIN	Detent Torque	10 mN-m REF.
Rotation Direction	A-AB-B CW	Insulation Resistance	100Mohm(DC500V)
HI-POT	AC600V/1mA/1S	Insulation Class	Class B 130°C
Rotor Inertia	35 g-cm ²	Weight	0.15 Kg REF

A		NEW RELEASE		Xu SD	J.B.	9/6/20
REV.	ECN NO.	DESCRIPTION		MADE BY	APPR. BY	DATE
		VIEW		LDO Motors Co., Ltd. Part NO. 1.8° NEMA17 Linear Stepper LDO-425TH25-1004CL200E(VRN)		
		SCALE				
SCALE	NA		DRAWN BY		CHECKED BY	APPR. BY
			Xu SD		J.B.	J.B.
			DATE		9/6/20	
FACTORY CODE				SHEET NO.		
				1/1		