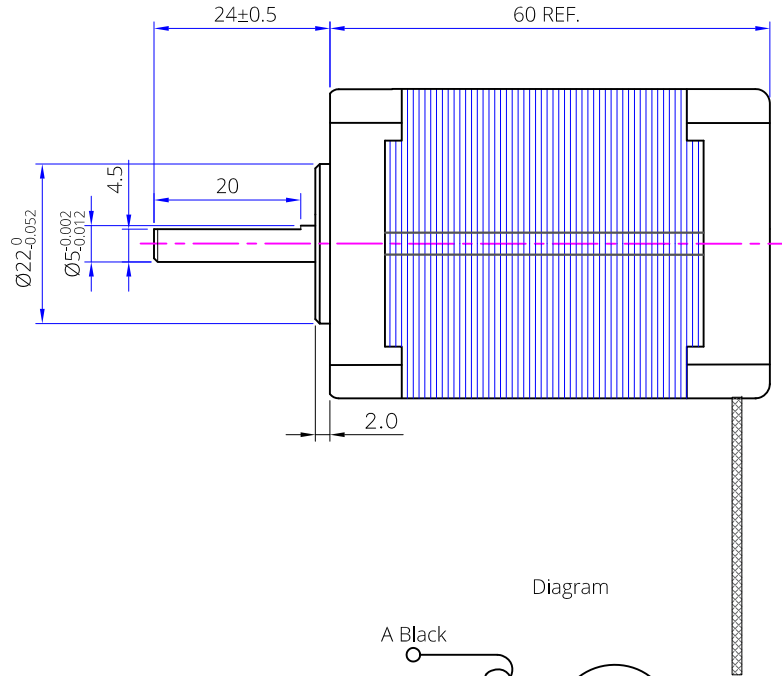
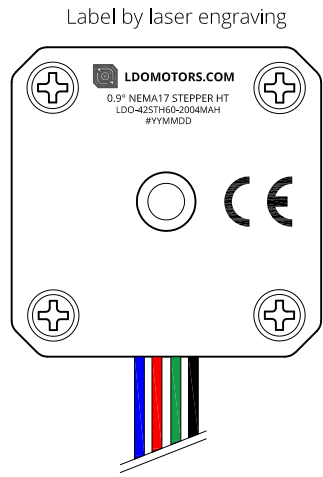
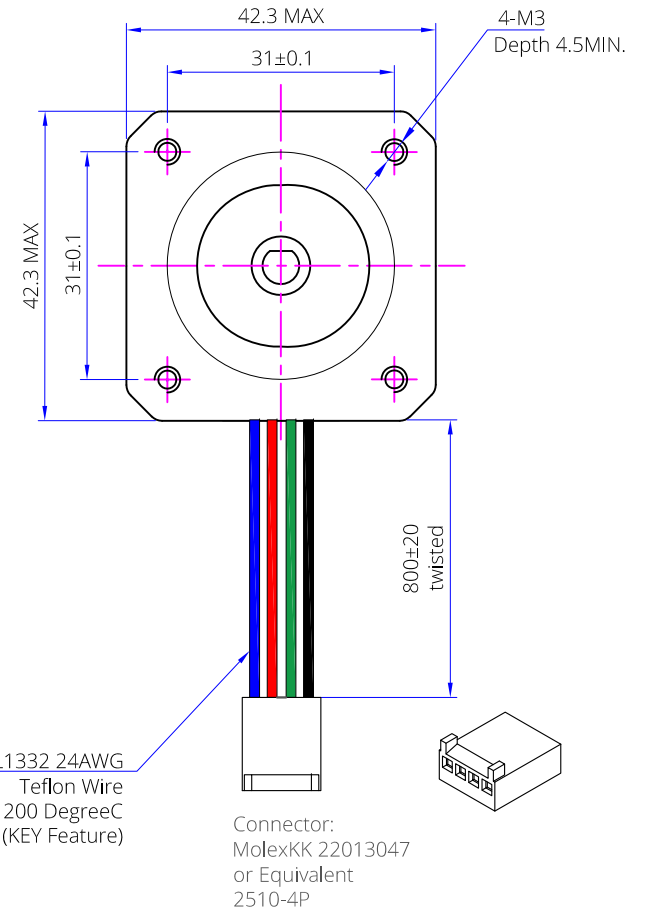
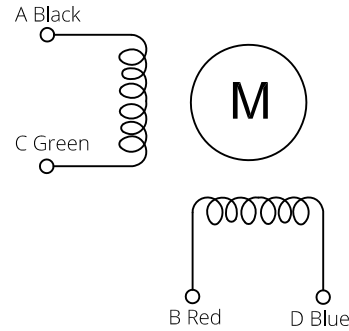


0.9° HT Stepper



Diagram



Items	Specification	Items	Specification
Phase Number	2	Step Angle	0.9° ± 5%
Rated Voltage	DC 2.8V / Phase	Rated Current	DC 2.0A / Phase
Phase Resistance	1.4x(1±20%) Ω	Phase Inductance	3.0x(1±20%) mH
Holding Torque	6Kg-cm (0.6N-m) MIN	Detent Torque	30 mN-m REF.
Rotation Direction	A-AB-B CW	Insulation Resistance	100Mohm(DC500V)
HI-POT	AC600V/1mA/1S	Insulation Class	Class H 180°C
Rotor Inertia	120 g-cm ²	Weight	0.5 Kg REF

REV.	ECN NO.	DESCRIPTION	MADE BY	APPR. BY	DATE
A	---	NEW RELEASE	Xu SD	J.B.	8/5/20

	VIEW		LDO Motors Co., Ltd.		
	SCALE		NA	Part NO. 0.9° NEMA17 Stepper Motor HT LDO-425TH60-2004MAH	
DRAWN BY Xu SD	CHECKED BY J.B.	APPR. BY J.B.	DATE 8/5/20	FACTORY CODE	SHEET NO. 1/1