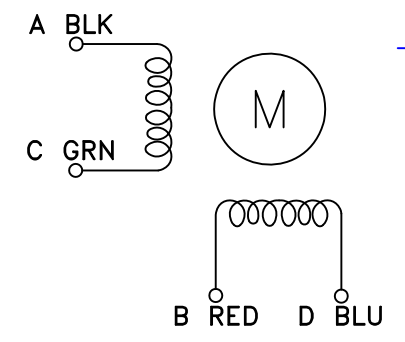


Diagram



Label by laser print

LDOMOTORS.COM
 1.8° Hybrid Stepper Motor
 LDO-42STH40-1004ASR #YYMMDD

Items	Specs	Items	Specs						
Phase Number	2 phases	Step Angle	1.8° ±5%						
Rated Voltage	4.1 VDC	Rated Current	DC 1.0 A /Phase	A	---	New Release	Xu SD	J. B.	9/23/18
Resistance(20°C)	4.1±15% Ω /phase	Insulation Class	Class B	REV	ECN NO	Description	Made by	Approve	Date
Holding Torque	≥4.8 Kg-cm	HI POT	AC600V/1mA/1S				LDO MOTORS CO.,LTD Hybrid Stepper Motor LDO-42STH40-1004ASR		
Rotate Direction	ACBDA CW	Insulation Resistance	≥100 MΩ (DC 500V)						
Weight	280g			Des.	Check	Appr.	Date	Factory Code	page 1/1