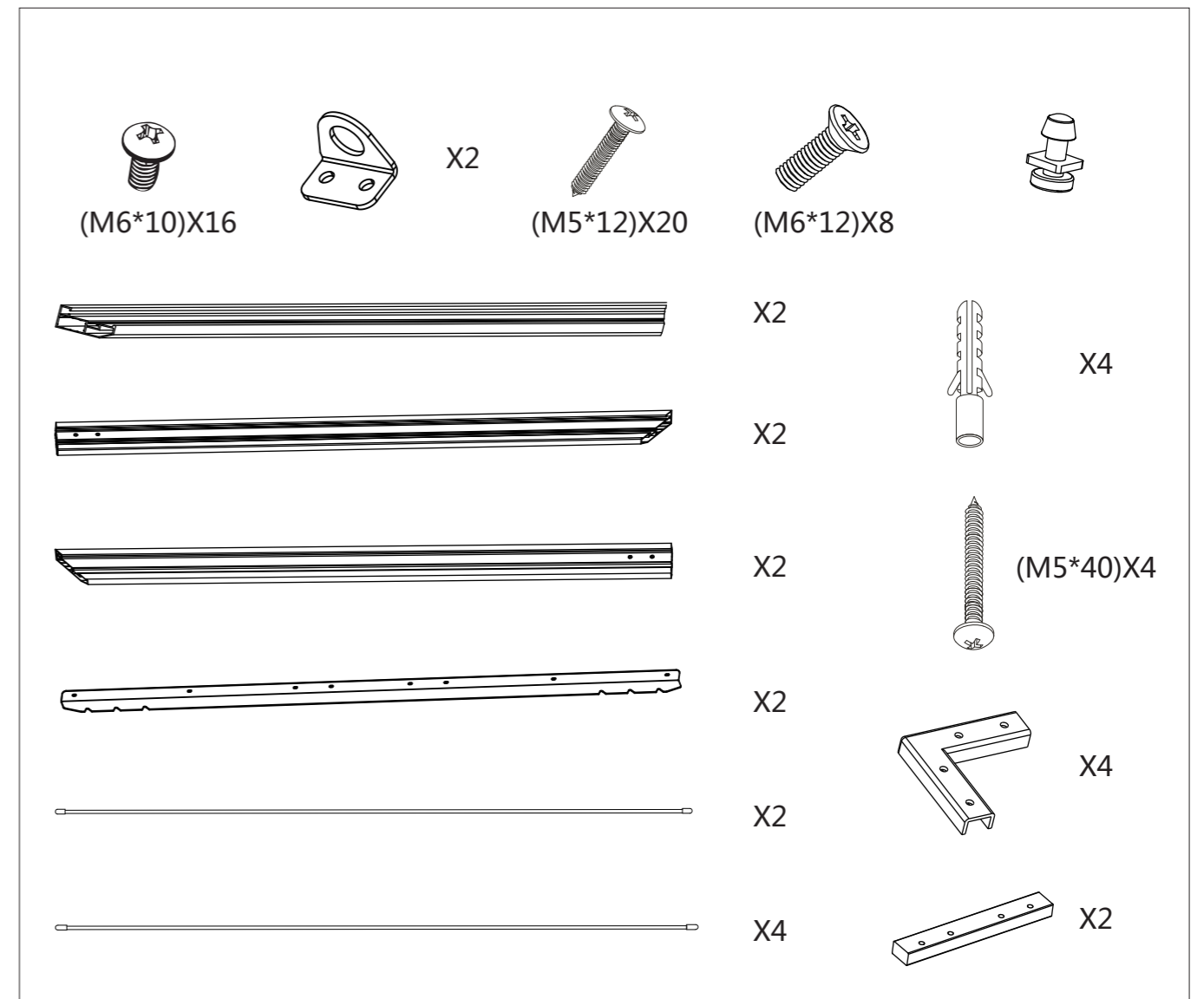


Fixed Frame Screen

Assembly & Installation Guide

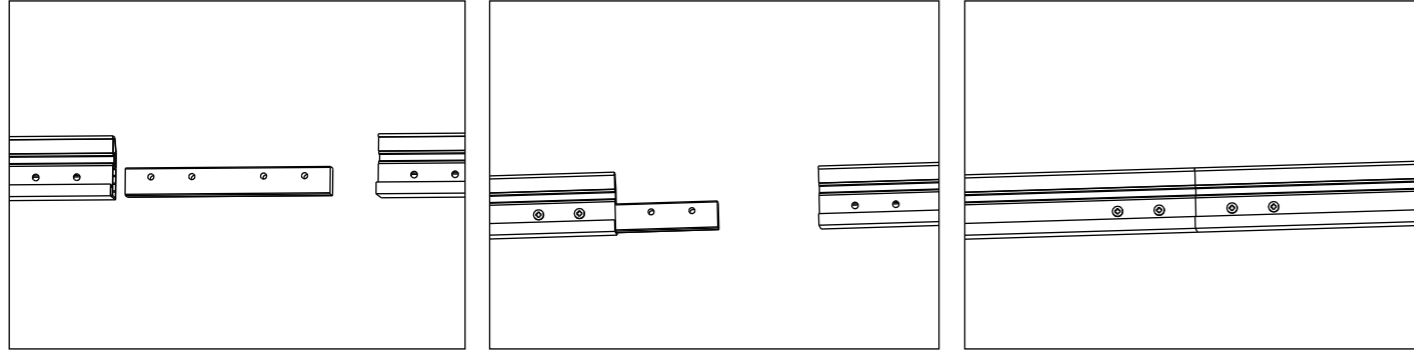
Part may vary depending on model



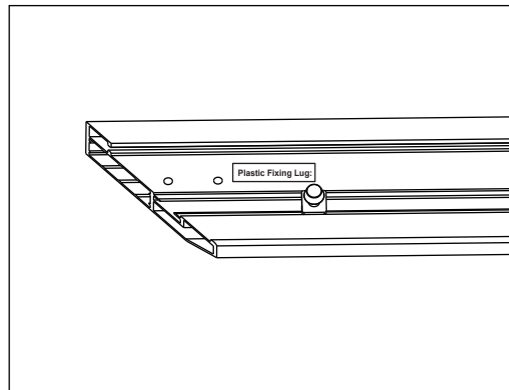
*****Depending on your fixed screen model-the quantities of the plastic fixing lugs may differ, please see stickers on each frame rail for the required quantities.*****

Assembly

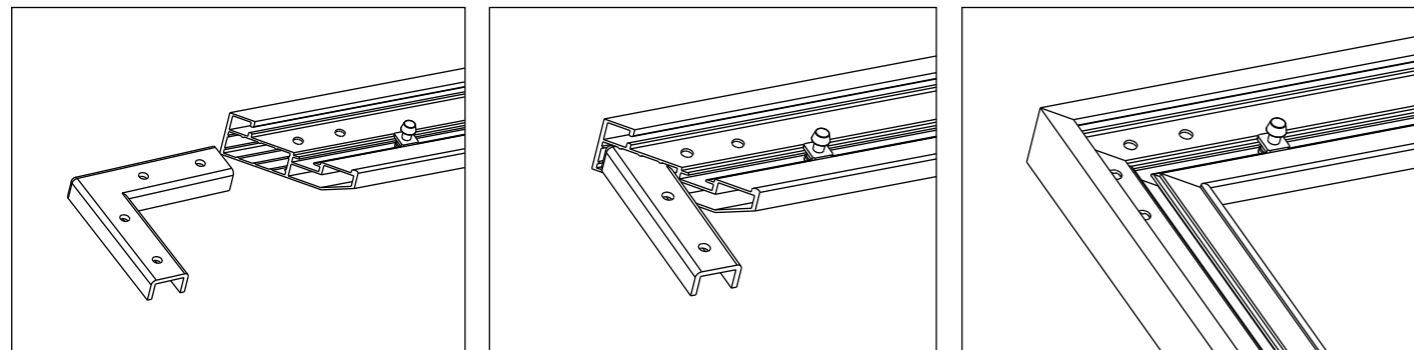
1. Unpack all the parts from the box. Do not unroll the screen at this time. Make sure your assembly area is clean. At least two feet of clean space is required on all four sides of the screen when it is spread out.
2. Lay out the frame rails with the velvet side facing down.
3. Assemble both of the large frame rails by sliding the joint bars into the ends. Secure them with the joint screws.



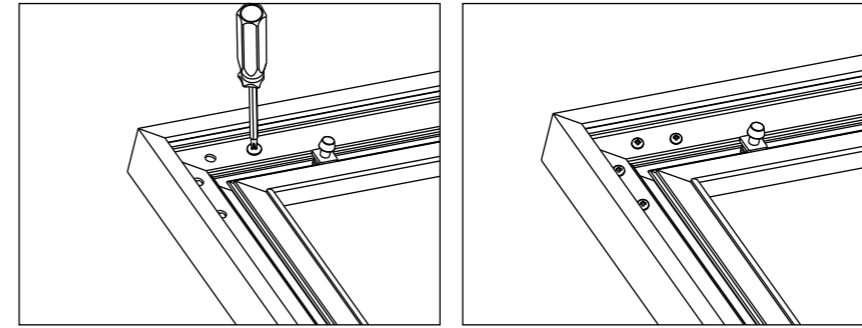
4. Slide plastic snap lugs into the frame rails, see stickers on each frame rail for the required quantities.



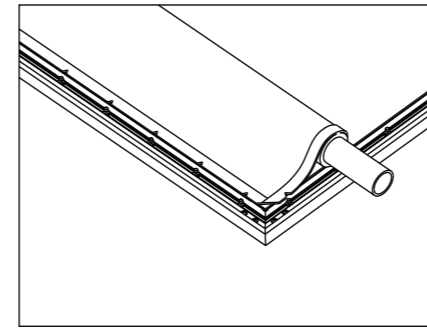
5. Slide the metal corner pieces into the ends of the long frame rails. Now put all frame pieces together forming the assembled frame.



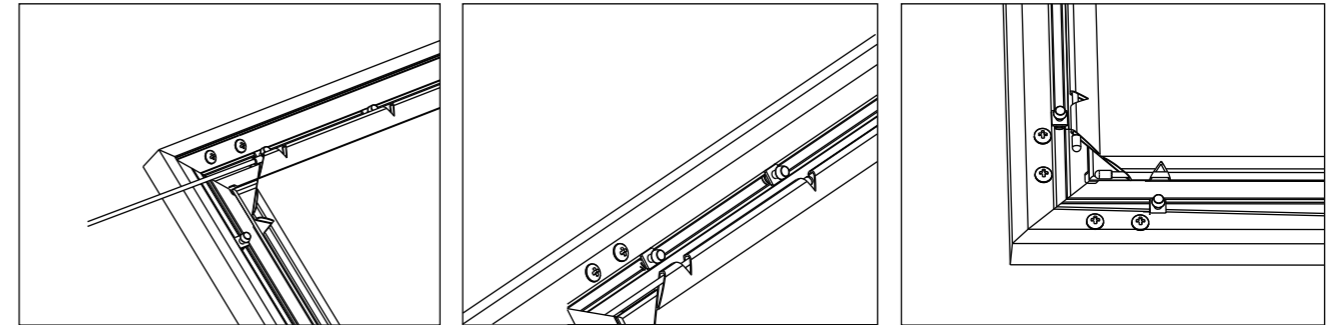
6. Screw in 4 corner screws into each corner of the frame, but do not tighten until all corners have been accurately aligned. Once all corners are accurately aligned tighten the screws.



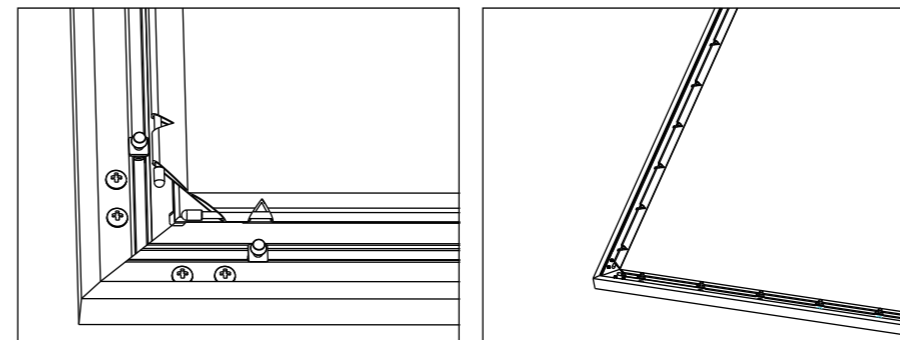
7. Make sure the floor is clean. Unroll the screen material inside the assembled frame on the floor. Keep the viewing side facing down.



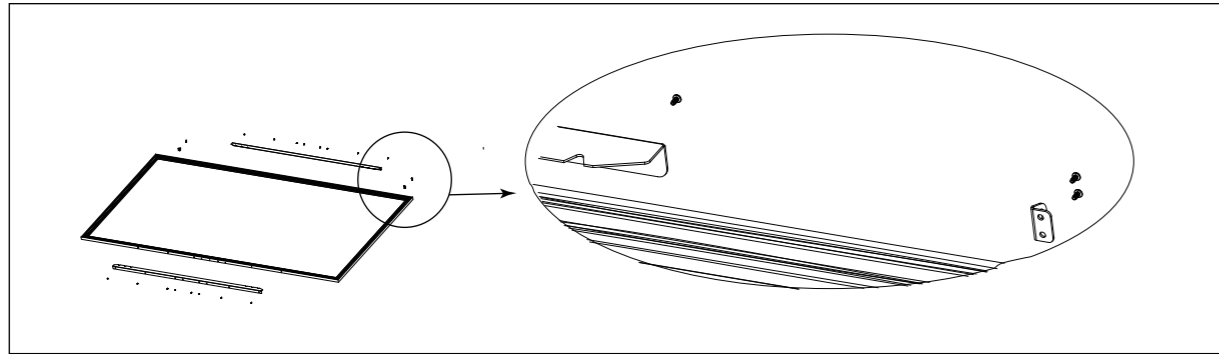
8. Insert the rods into the pockets on the edges of the screen, using the appropriate rods for each side.



9. **Place the screen material onto the frame.** Starting at the center snap lug on each side of the frame, stretch the material over the snap lug until it is secure. The material will stretch. Some force is required to complete this step. Each notch in the screen material should line up with one snap lug on the frame. Once each center lug is secured on all four sides, work your way outward toward each corner, securing the material over each snap lug along the way. Once finished, the screen material should be tight all the way around.



10. The upper and lower brackets are required to keep the screen frame from sagging with the pull of the screen material. Screw the upper and lower brackets to the frame. If you are planning on hanging the assembled screen frame, then install the two lifting rings to the upper bracket now.

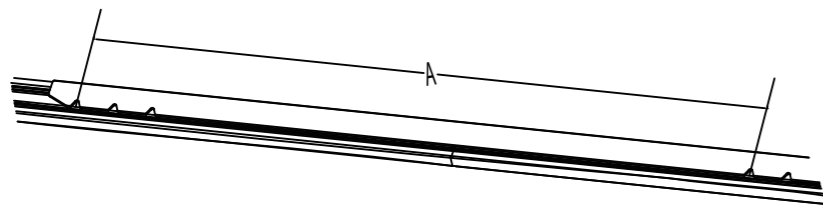


Installation

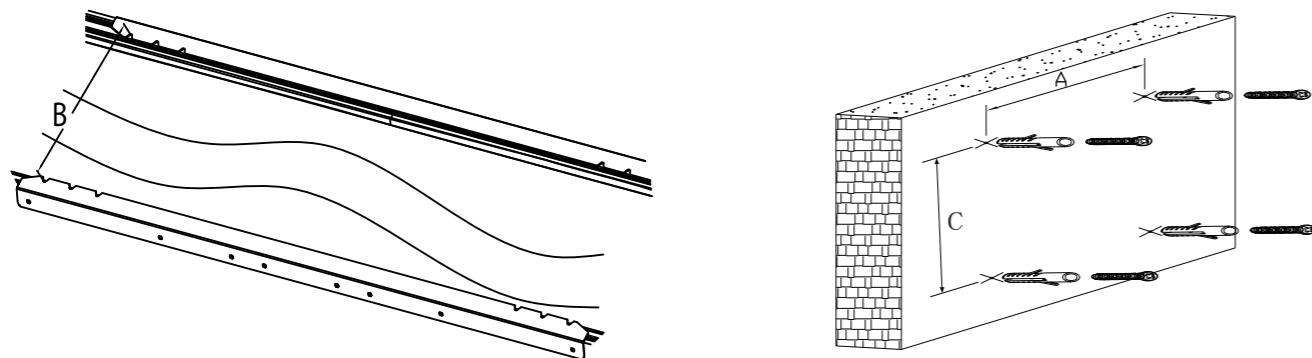
Note: The included mounting hardware is not appropriate for all wall types. Be sure to select the proper mounting hardware for your wall type. If you are unable to safely and securely install the screen to your wall type, consult a professional.

Mounting the screen to the wall

- A. Determine where you would like to mount the screen to your wall. Choose two notches in the upper bracket that you would like to use, and measure the distance between the notches. This is measurement A. Using measurement A, mark the measurements for the upper bracket on your wall making sure the marks are level.

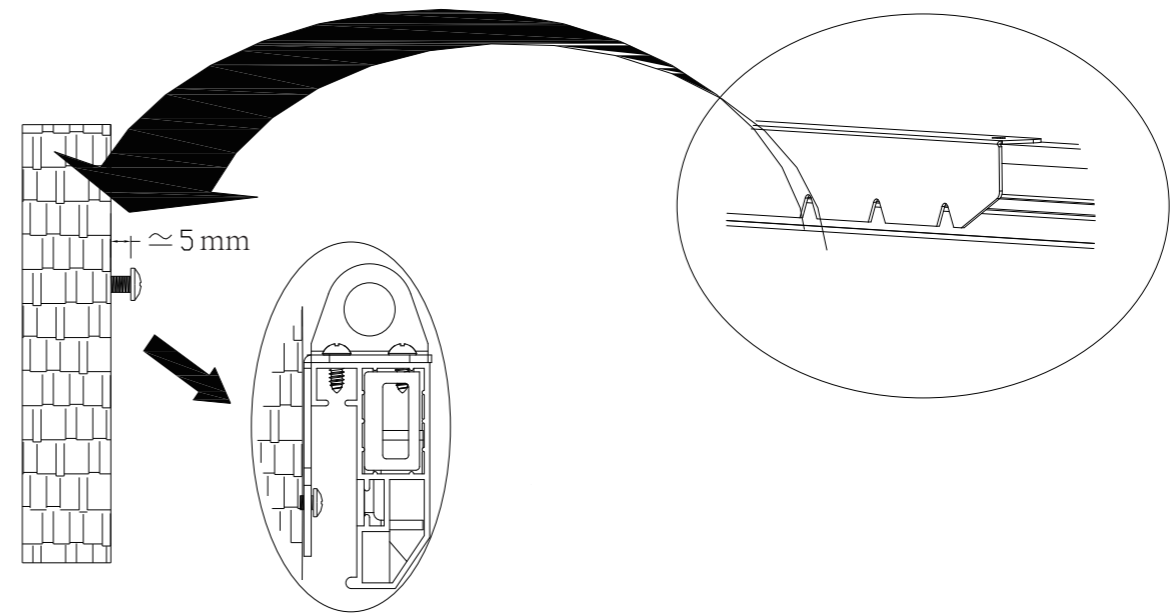


- B. Measure on the frame the distance from the top of the upper bracket notch to the top of the lower bracket notch for measurement B. Subtract 1/4" (5mm) from measurement B for the measurement to mark for the lower bracket, this is shown by measurement C. Verify the upper and lower marks align straight up and down vertically.



- C. Fasten a screw at each of the four marks leaving about 1/4" (5mm) of screw threads exposed.

- D. Lift the screen frame brackets onto the screws making sure the screws align with the notches in the brackets to safely and securely mount the screen to the wall.



Hanging the screen

- A. Insert wire through the lifting rings, pull to the desired height making sure the screen is level, and fasten in place. (Note: the proper wire and proper fasteners are not included. If you are unable to safely and securely hang the screen, consult a professional.)

