

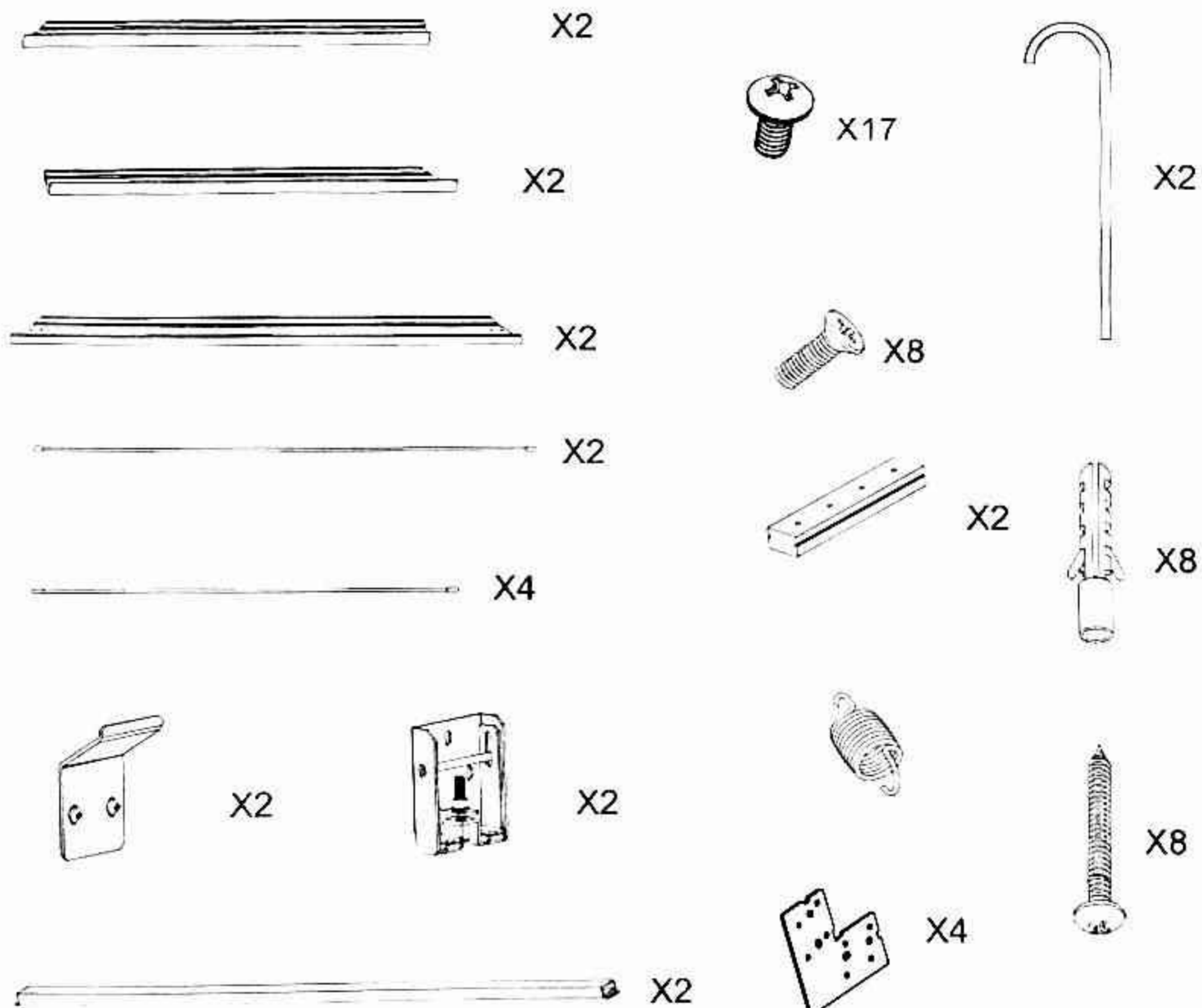
MOUNTING INSTRUCTIONS FOR

8cm Fixed Frame

Projection Screen

Part may vary depending on model

Parts List

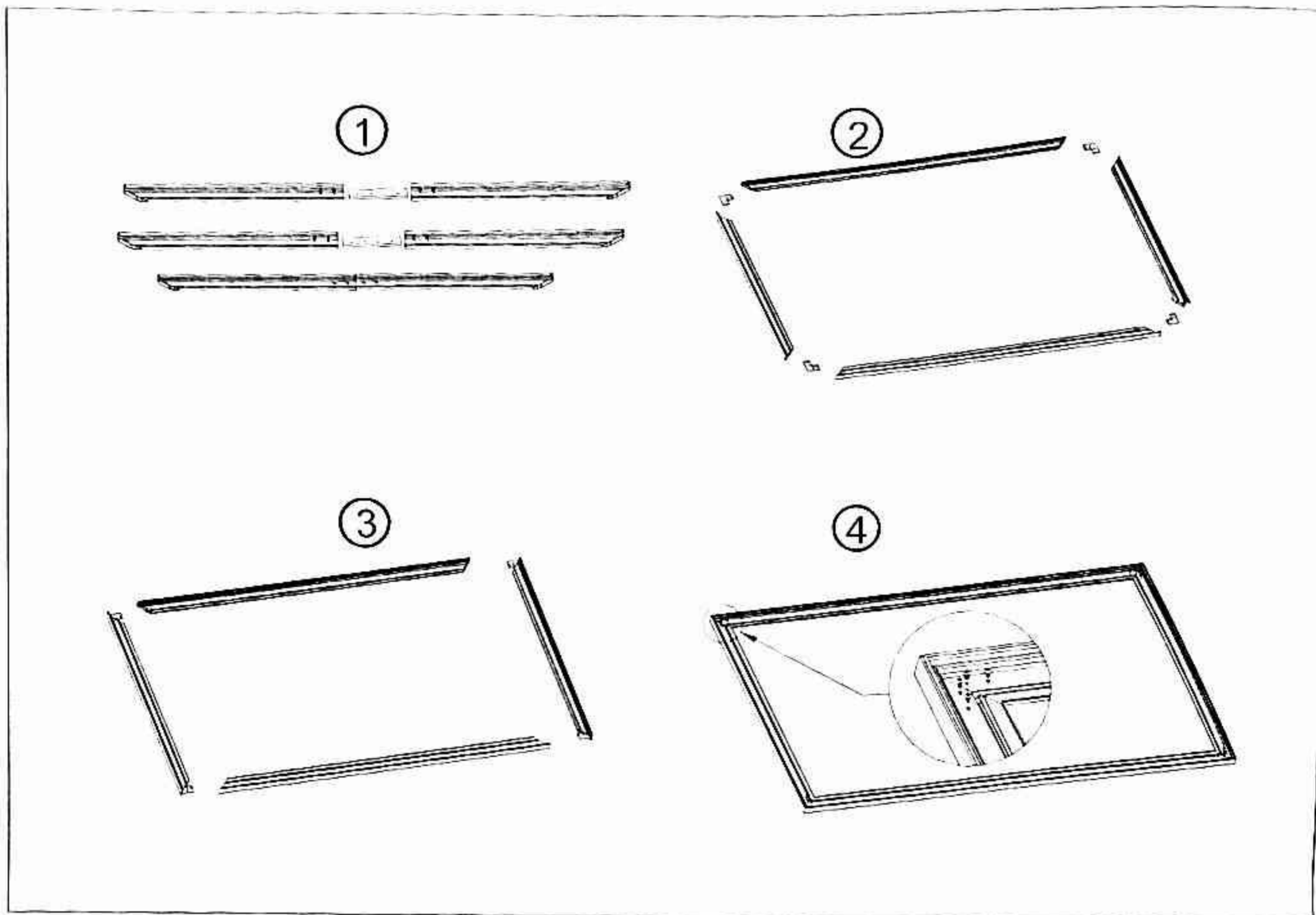


Read through entire instructions before assembly
After installation store instructions for future reference.

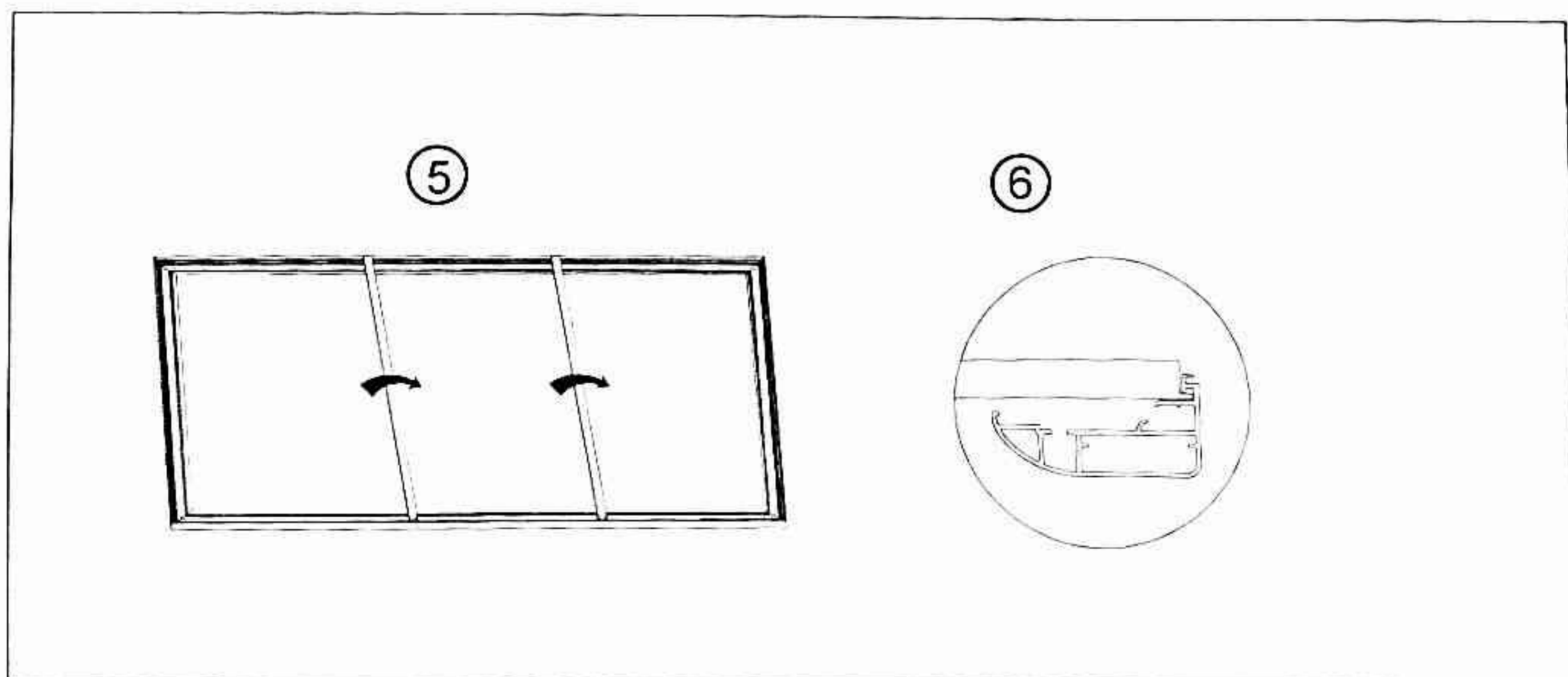


Use appropriate screws, depending on wall type.
Use mounting screws for wood surfaces. Use mounting screws and concrete anchors for concrete surfaces.

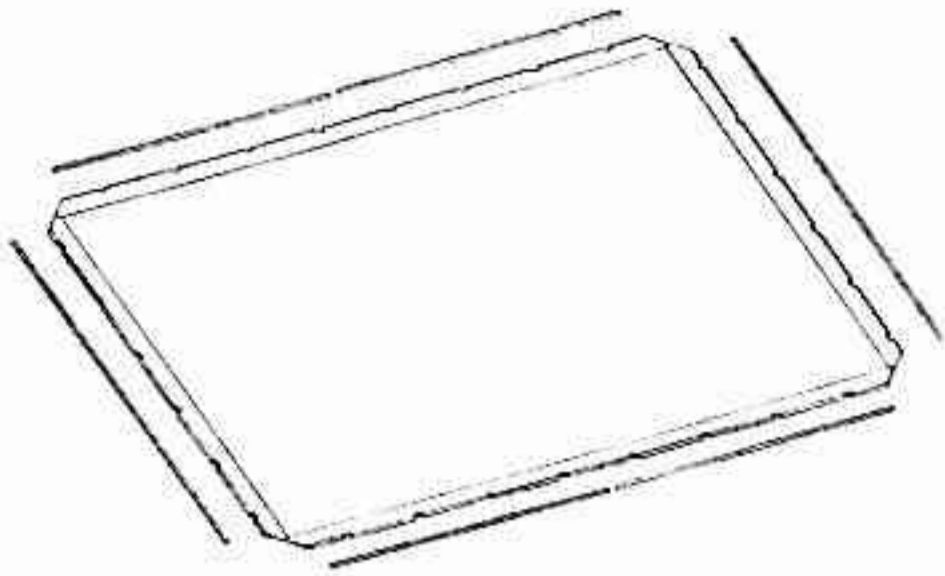
Assemble the frame.



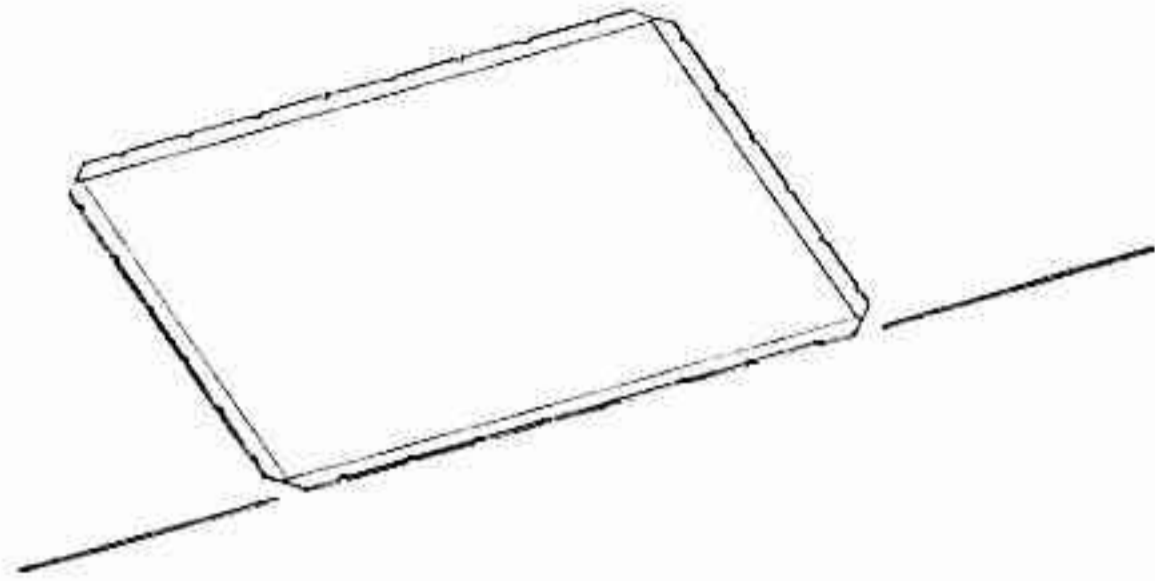
Install the support bars and screen material.



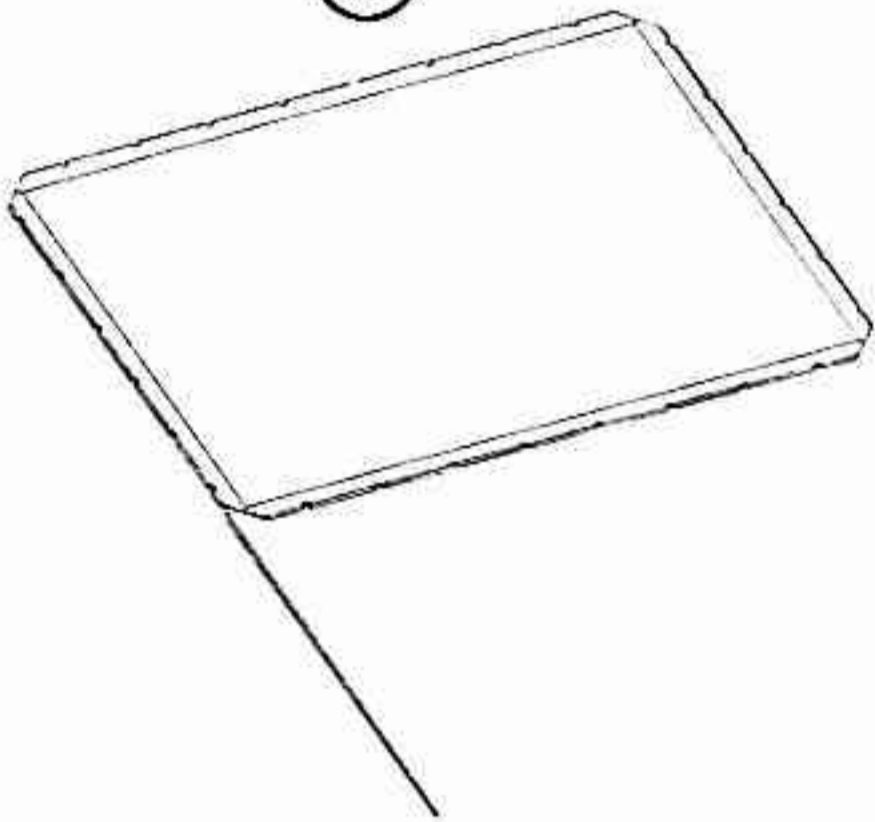
7



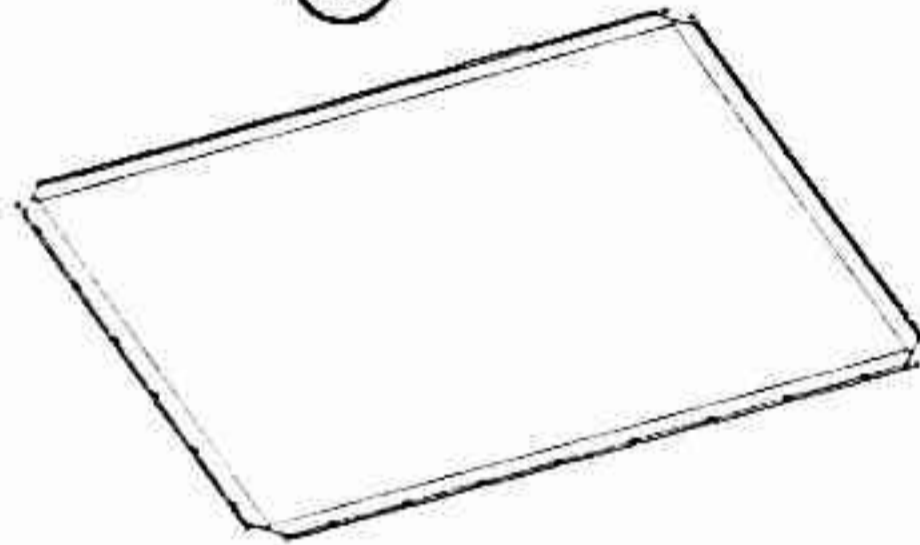
8



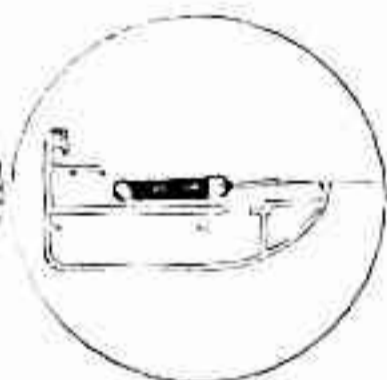
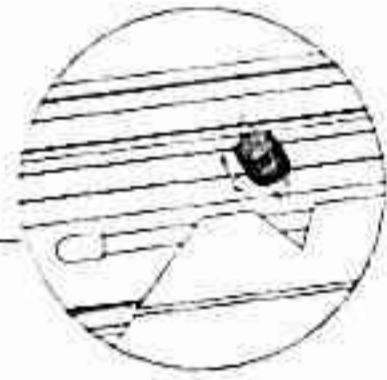
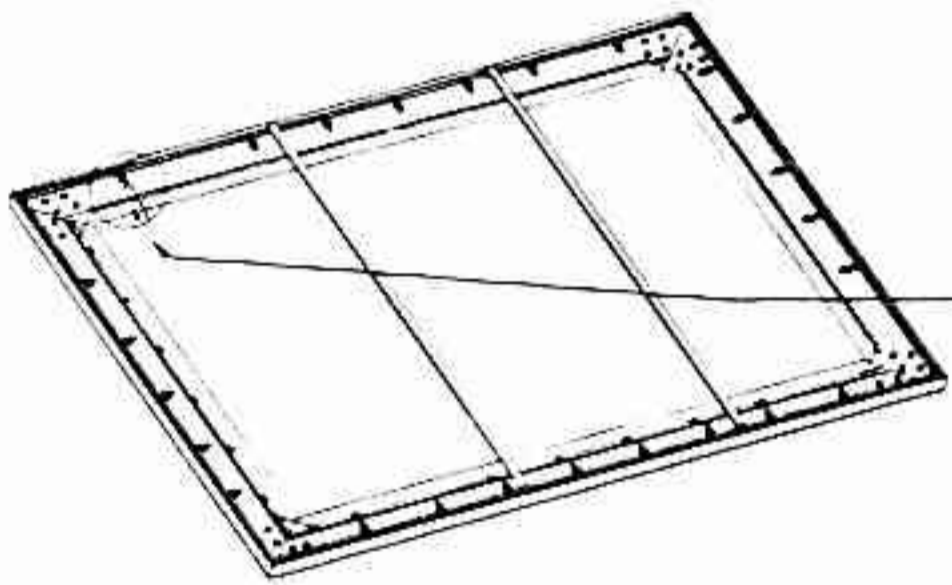
9



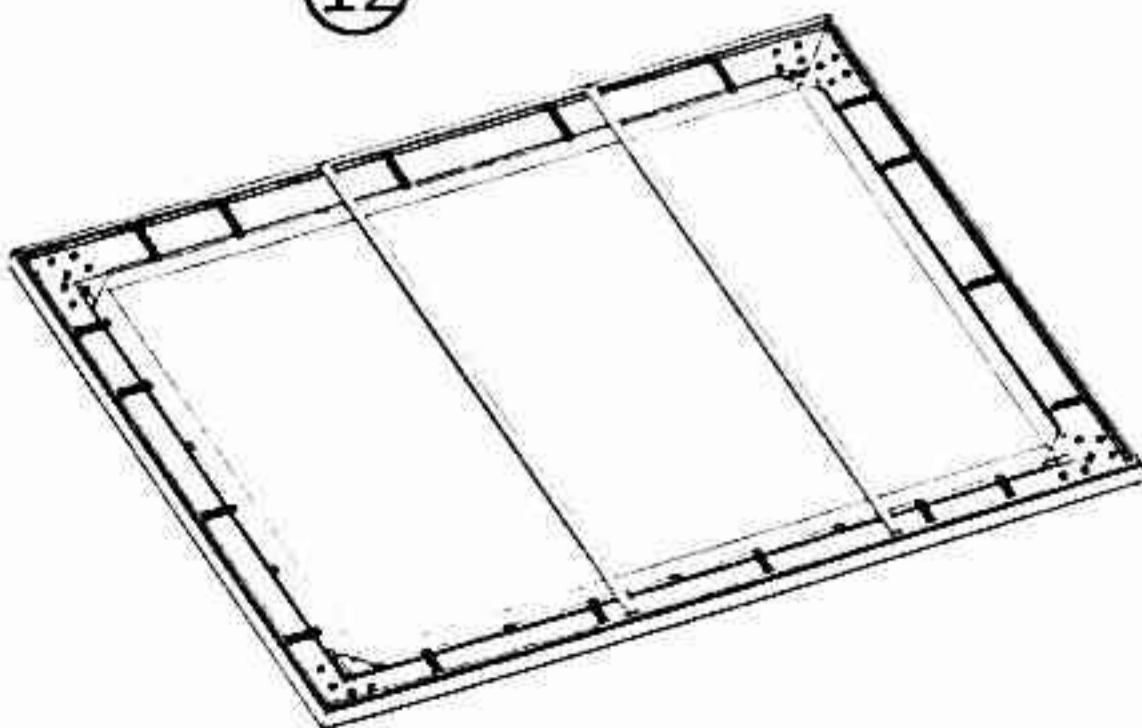
10



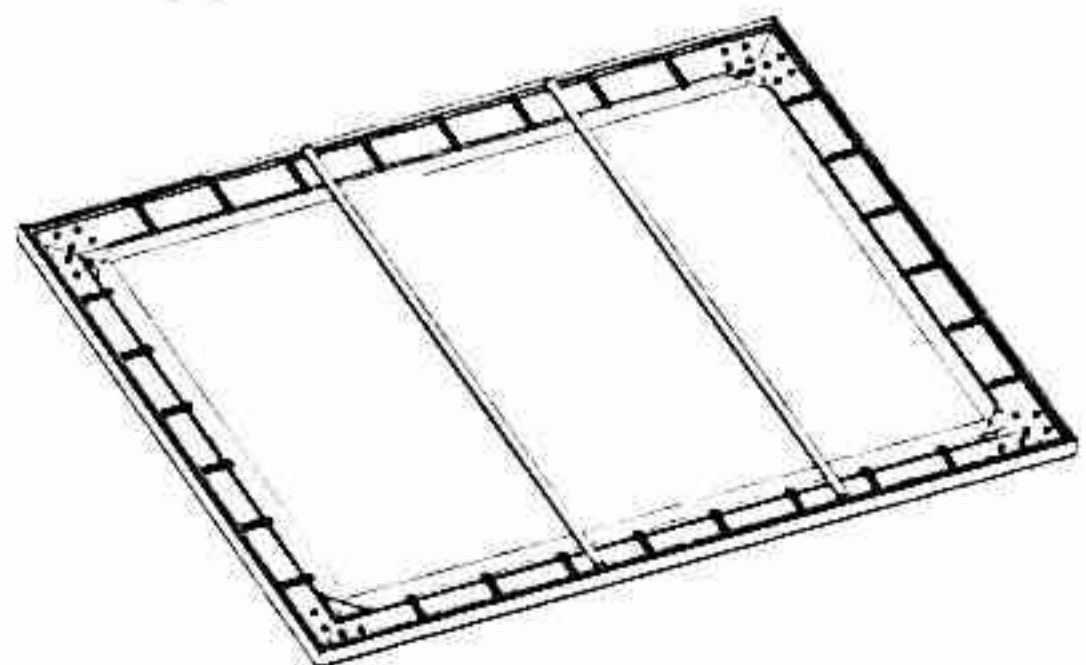
11

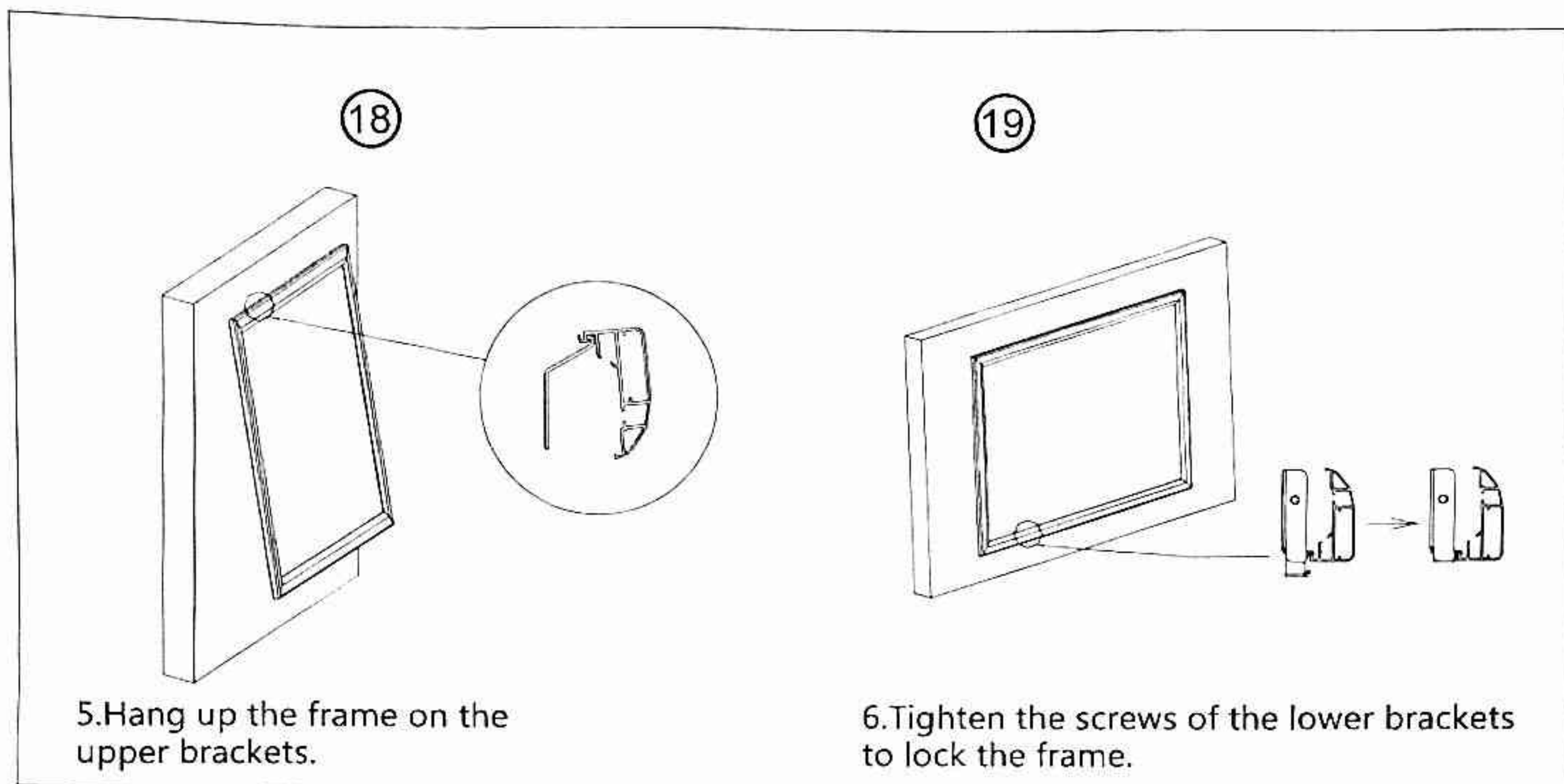


12



13





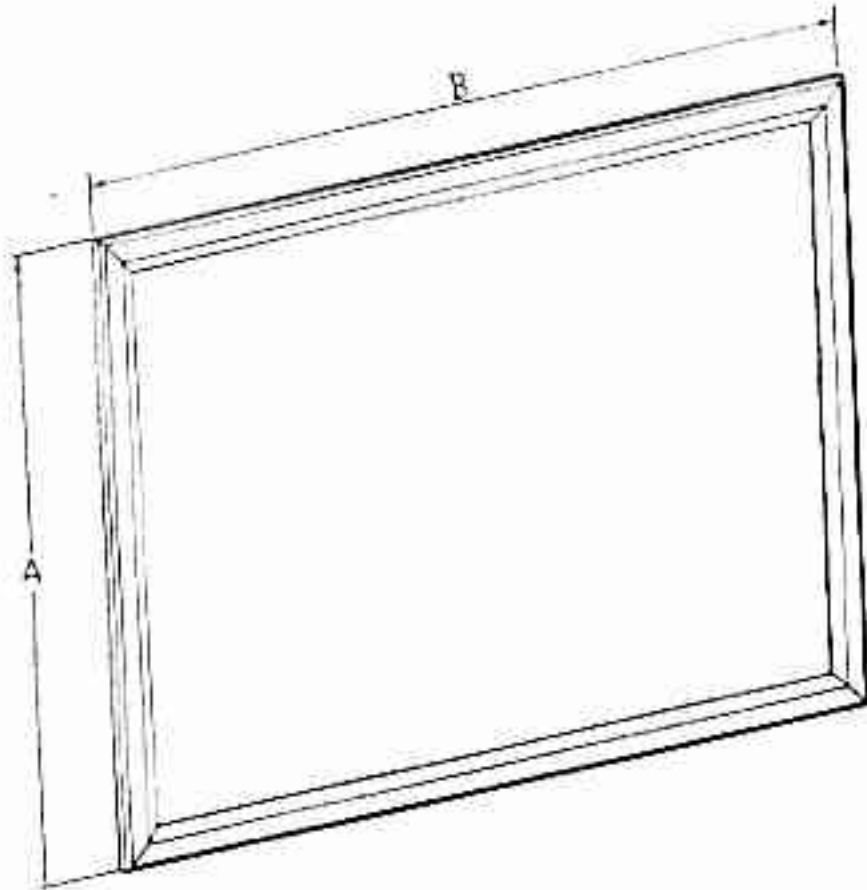
Black Backing

Included with your projection screen is a black backing. Both the screen and the black backing are acoustically transparent. This backing material is used to stop light from reflecting off of shiny objects and surfaces behind the screen. There are many applications that require the black backing to be installed different ways. Therefore, the black backing is included without installation instructions or materials necessary to fasten it. The backing material is large enough to cover the entire viewing area behind the screen. This large amount of black material may be used in at least four different ways:

- 1: Paint the wall behind the screen flat black, and use small sections of the black backing to cover any reflective surfaces and objects.
- 2: Pin the black backing to the wall where the screen will be mounted, covering any reflective surfaces and objects.
- 3: Tape the black backing to the back side of the frame, attaching the tape to the metal where there is no velvet. Cover the back of the viewing area of the screen material.
- 4: Do not use the black backing at all. If there are no shiny objects behind the screen, the black backing may not be necessary.

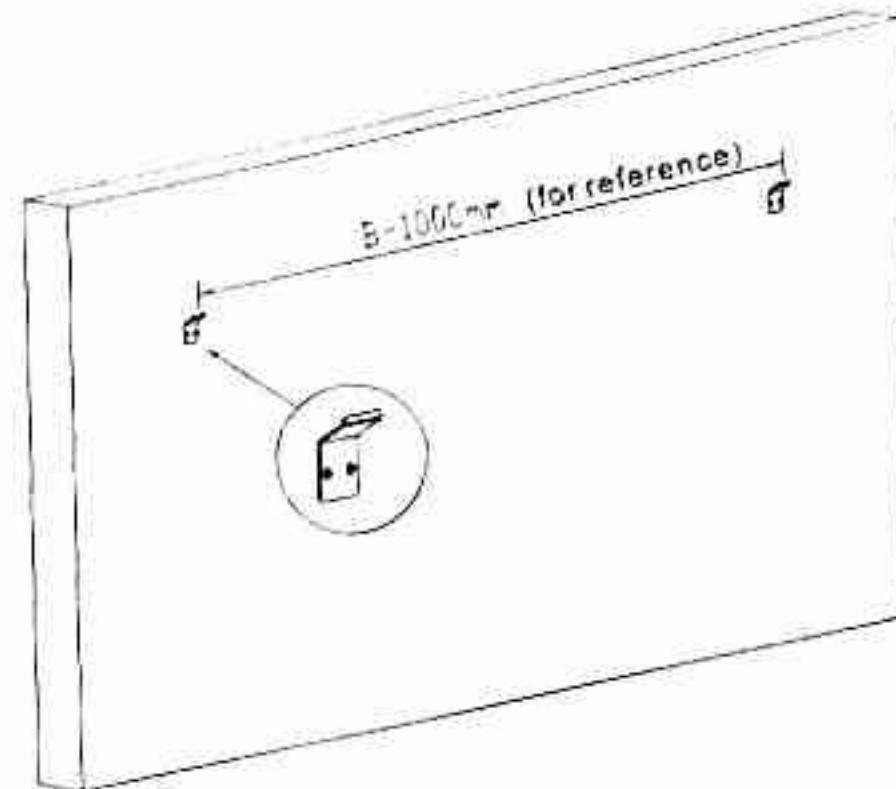
Hang screen on the wall.

14



1. Measure the width of "A" and the height of "B".

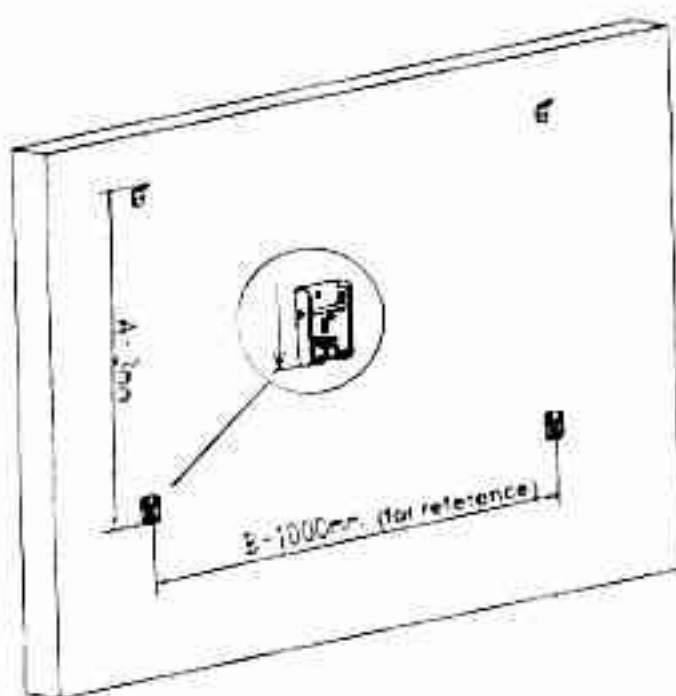
15



2. Screw the upper brackets to the wall, the distance between the two brackets is "B" minus around 1000mm or 40 inches, Make sure all the brackets are secured to studs.

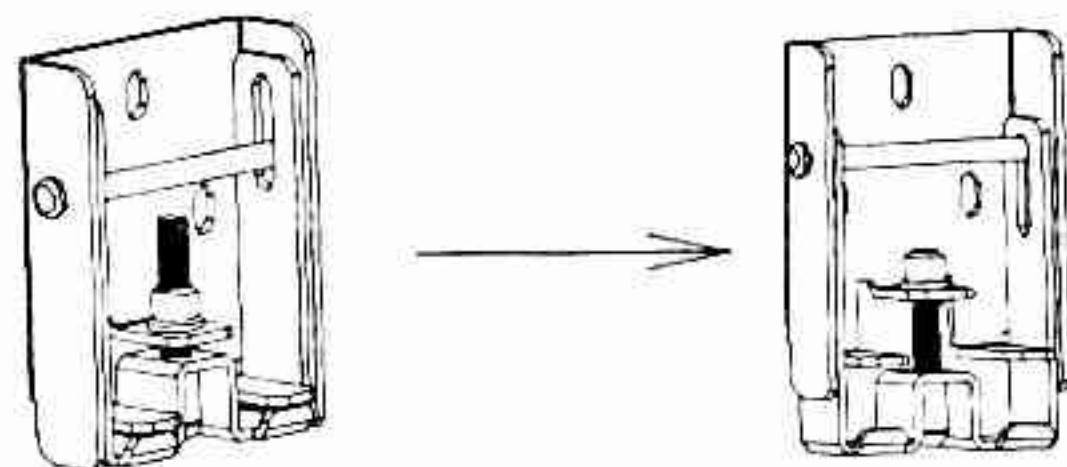
For example, if your frame measurement "B" is 2540mm or 100 inches wide. Then your brackets should be screwed to the wall as close to 1540mm or 60 inches apart making sure the brackets are secured to studs.

16



3. Screw the lower brackets to the wall, the distance between the upper bracket and the lower bracket is "A" minus 3mm or 1/8 inch, For example, if your frame "A" measurement is 1270mm or 50 inches. Then the top of your top bracket to the bottom of your bottom bracket (with the bottom bracket screws tightened) would be 1267mm or 49 7/8 inches. the distance between the two lower brackets is "B" minus around 1000mm or 40 inches (for reference)

17



4. Loosen the screws on the lower brackets.

Caution:

- * Wear safety glasses during assembly and installation of the screen
- * Select an appropriate area of a wall to mount the screen. Make sure the position selected will not interfere with existing features of your room such as wall sockets, switches, etc.
- * Do not install the screen over an electric outlet or switch. Doing so creates a serious fire hazard.
- * For homes with stud-wall construction, use a stud finder or carefully measure to determine where the studs are located in the wall. The screen must be mounted to the studs. Never rely on gypsum board, drywall, or thin wall materials to support the weight of the screen!
- * Wash your hands before installing the screen material.
- * Carefully open the package and lay out all the parts on a clean flat surface.
- * Use extreme caution when unpacking the screen. Do not use knives or sharp objects to open the boxes.

Care and Cleaning:

- * Your new screen can be effectively cleaned with a soft cloth using mild soap and water. Do not use harsh detergents, chemicals, distilled spirits or petro-chemicals to clean the screen; doing so may result in severe damage to the screen or the frame coating.
- * If the felt covering on the frame gets dusty or covered with lint, use a household vacuum cleaner with a brush or furniture cleaning attachment to clean the felt. Using excessive amounts of water on the felt is not recommended.
- * Damage done to the screen or frame by improper cleaning voids the warranty of the screen and frame.

Troubleshooting:

- * Initially, there may be some wrinkles in the screen. If there are, do not worry. Let the screen sit for a few days and the wrinkles will most likely come out on their own. If they don't, get a hair dryer. Do not use a heat or laminating gun. Start on the lowest heat setting of the hair dryer. Hold the hair dryer 12" away from the face of the screen material. Point the hair dryer towards the wrinkles for approximately 2 minutes. The wrinkles may begin to look worse at first, then all of a sudden they will begin to disappear. If this does not work at the low setting then set your hair dryer at the medium setting and continue towards the high heat setting until the wrinkles are removed. It is very important that you stay 12" back so you do not ruin the screen material.