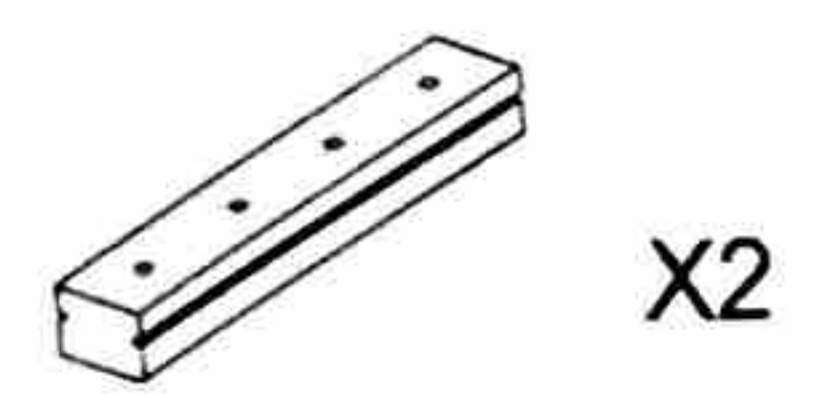
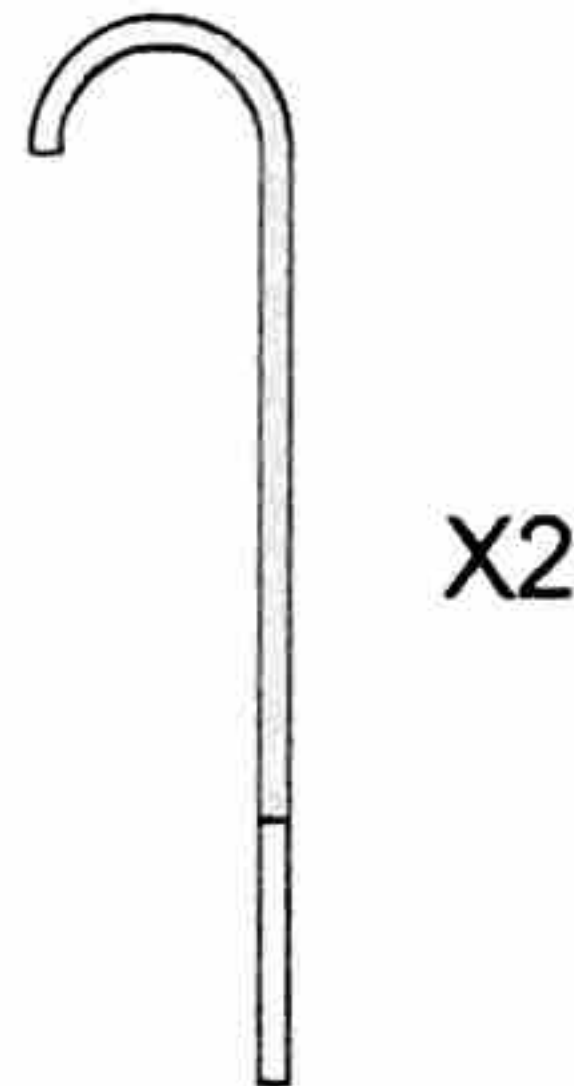
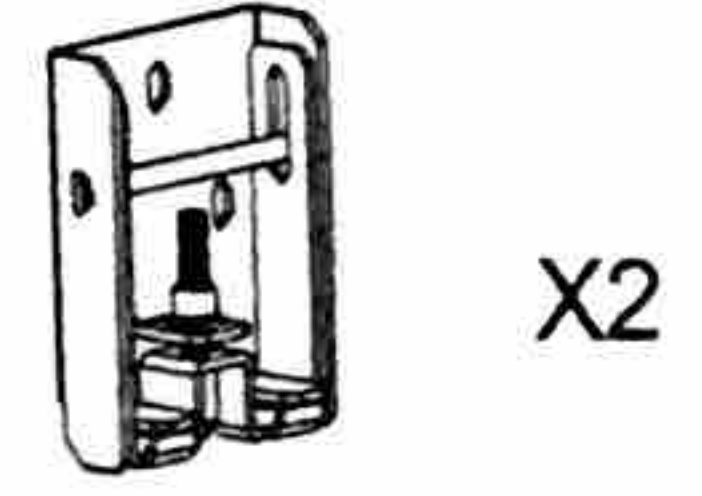
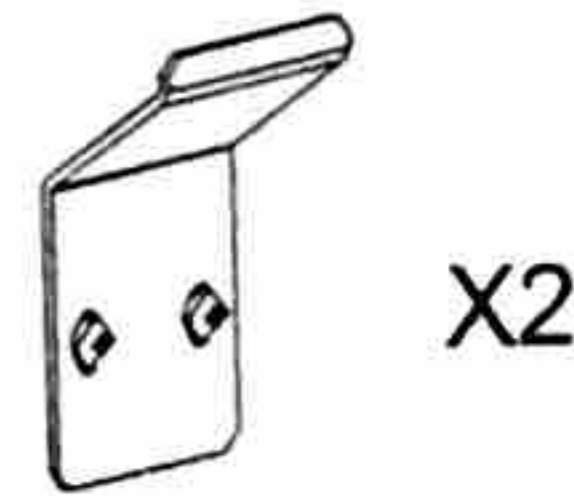
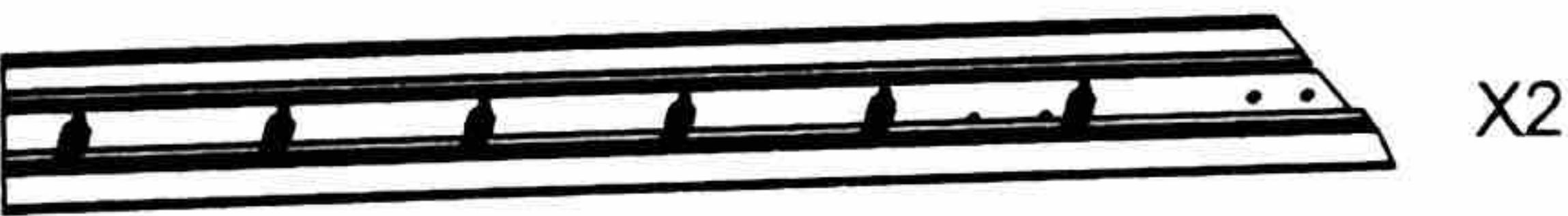
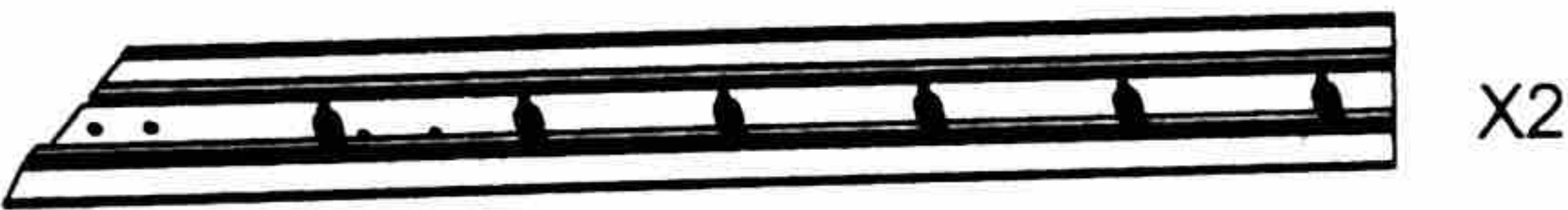
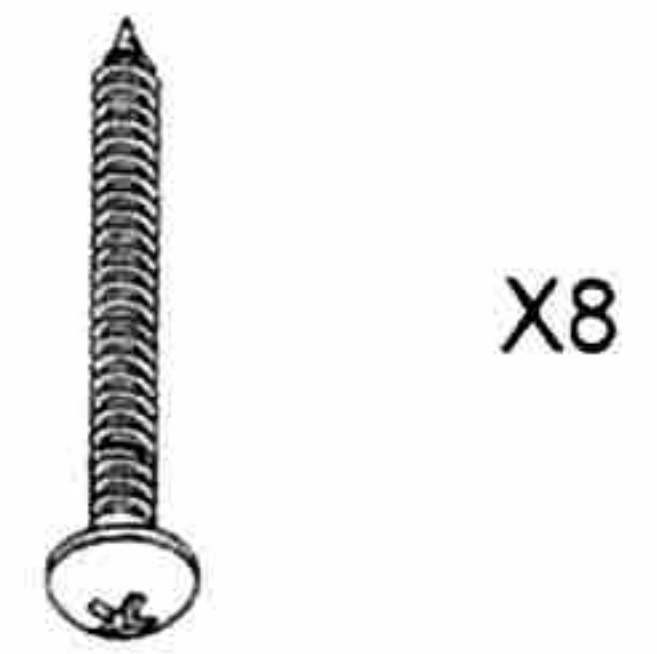
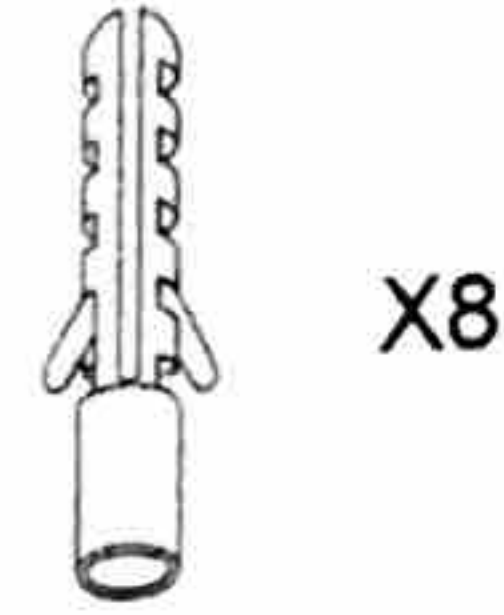
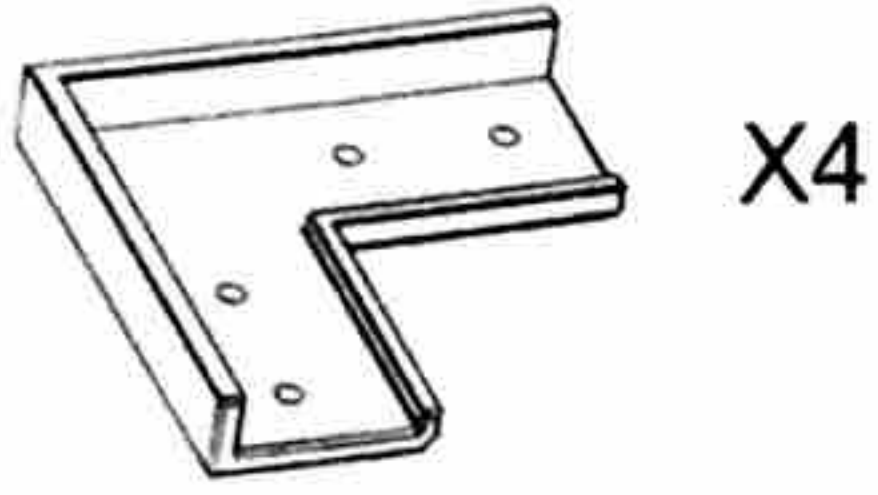


Instructions for 10cm Fixed Frame Projection Screen

Parts List

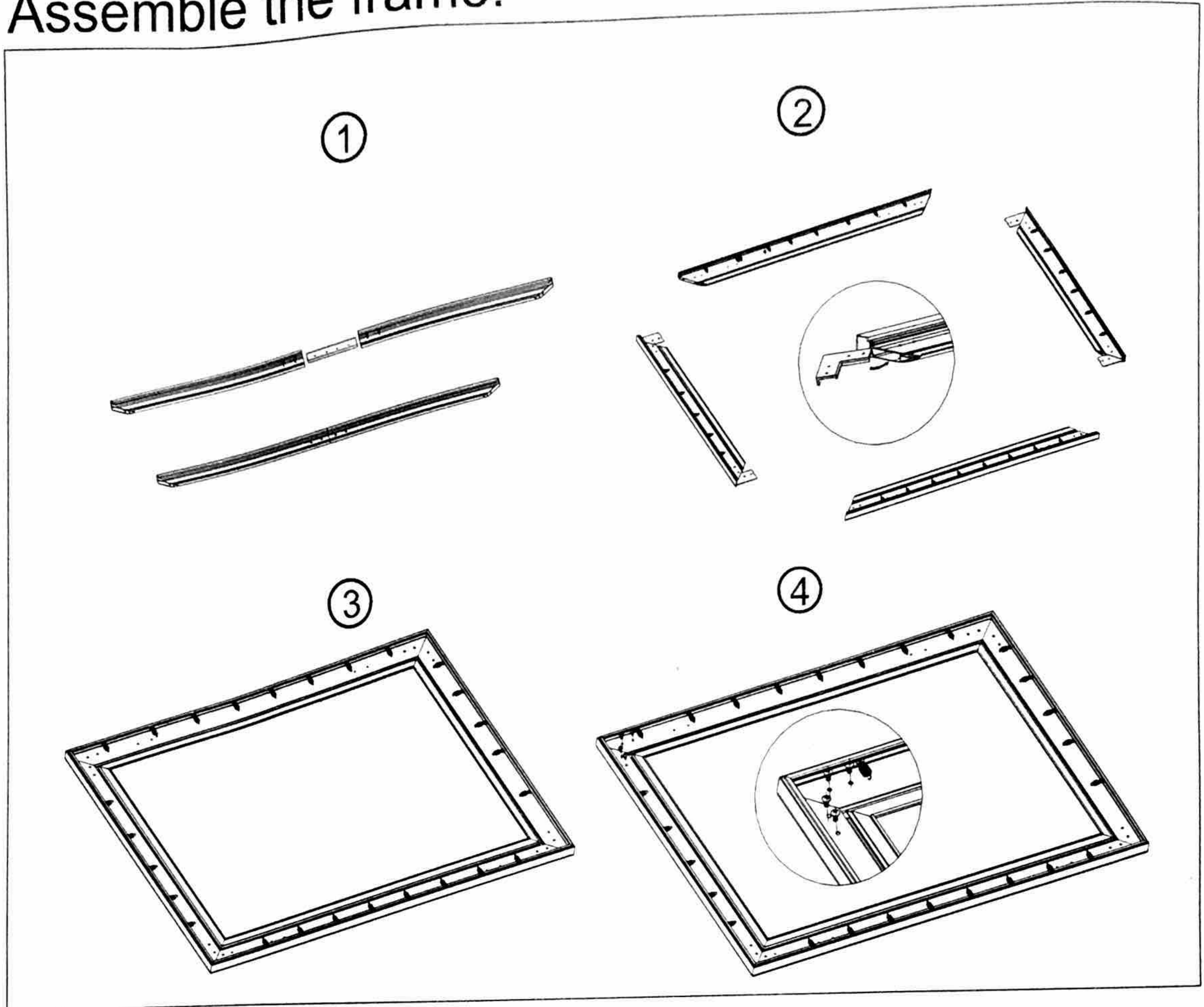


Read through entire instructions before assembly.
After installation store instructions for future reference.

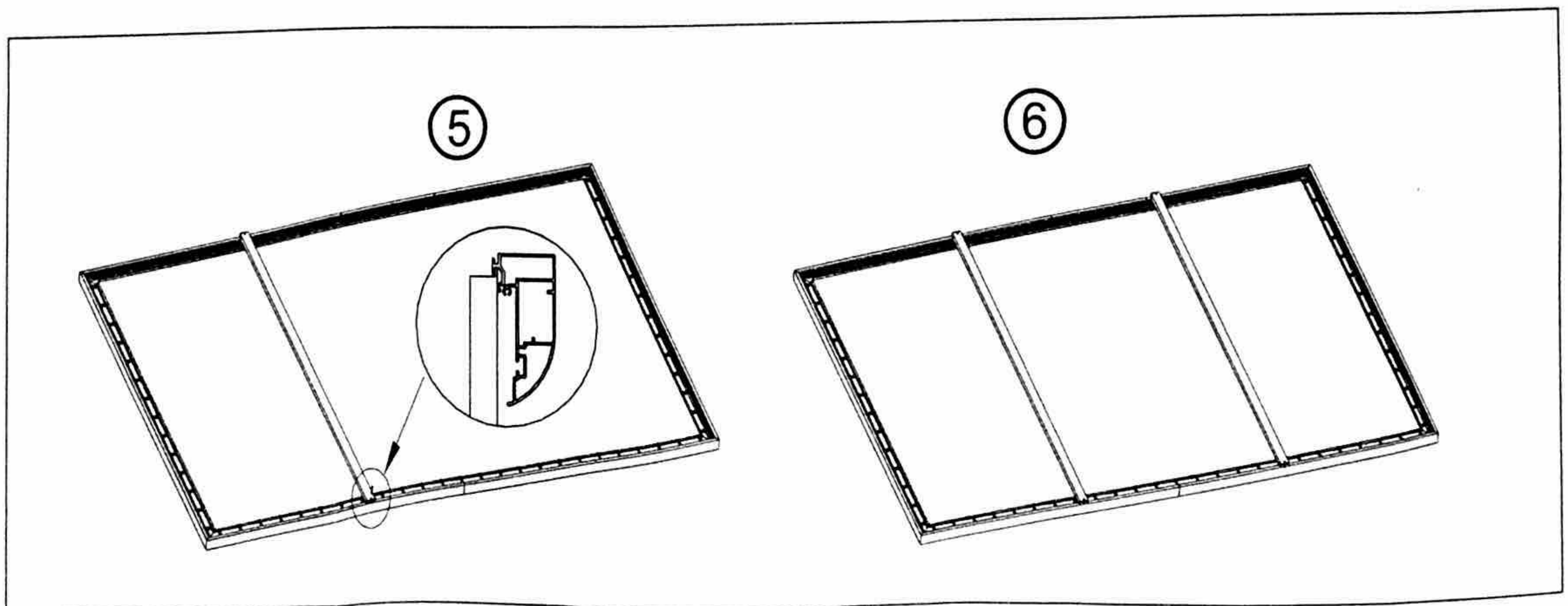


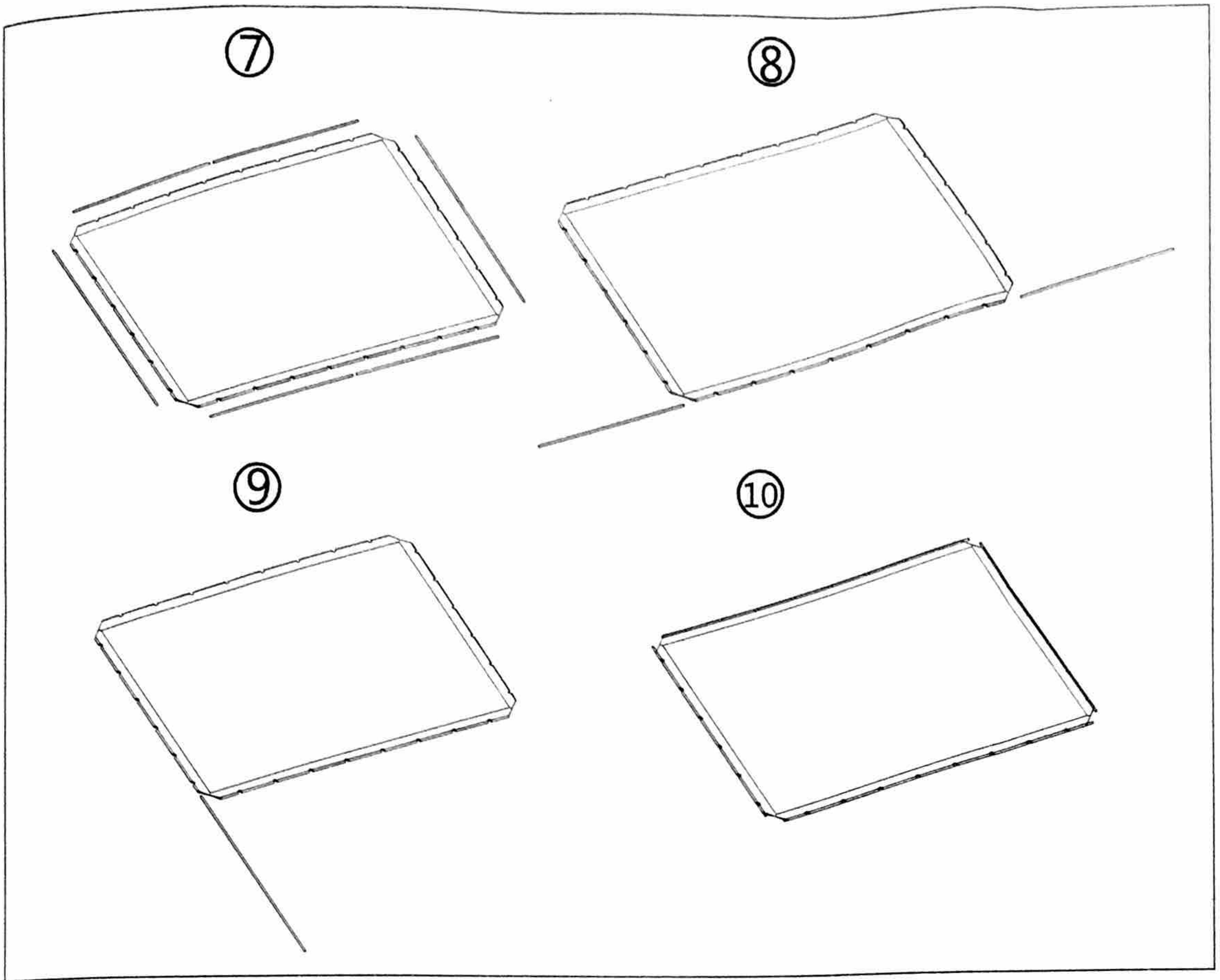
Use appropriate screws, depending on wall type.
Use mounting screws for wood surfaces. Use mounting
screws and concrete anchors for concrete surfaces.

Assemble the frame.

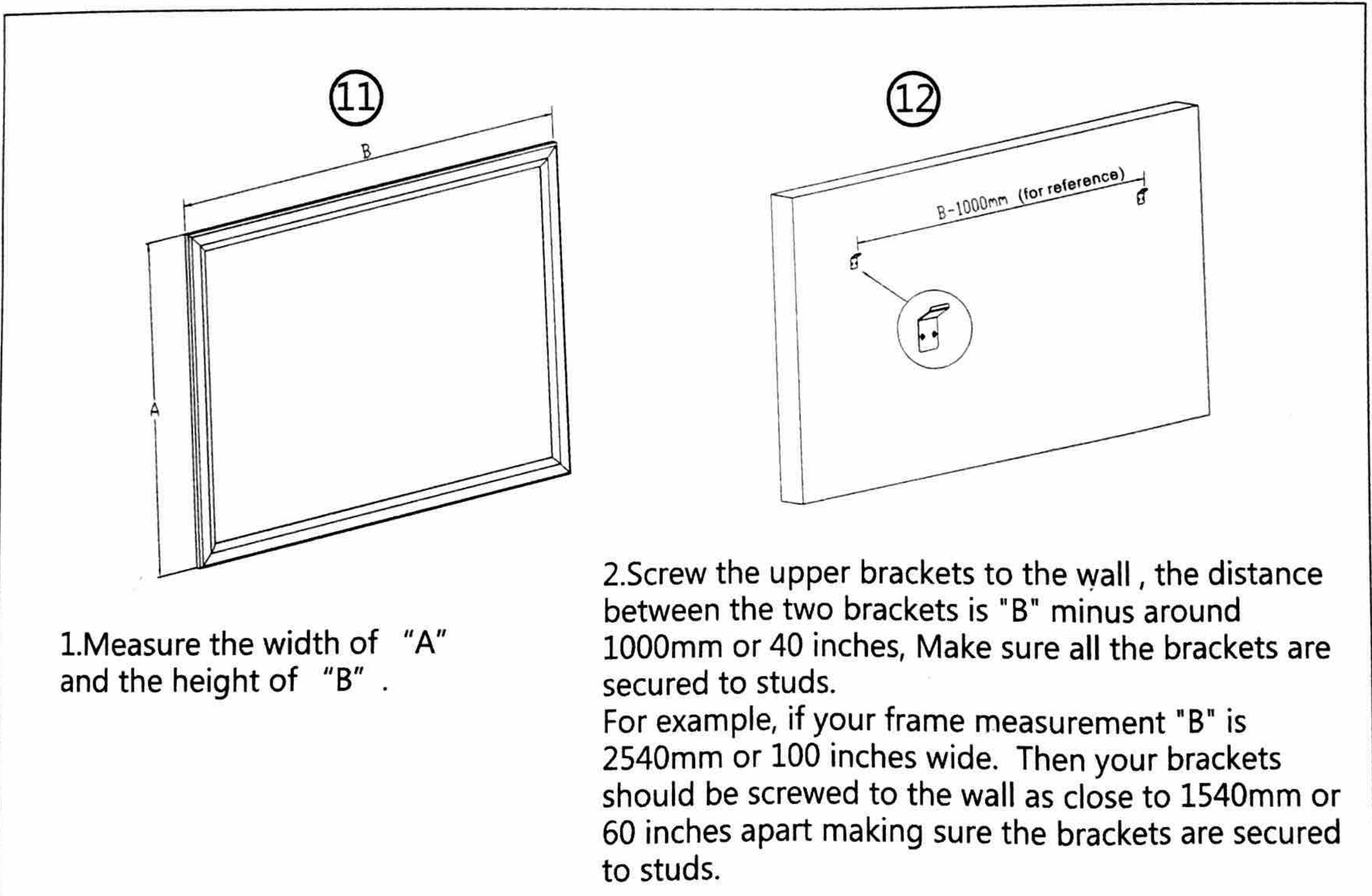


Install the support bars and screen material.

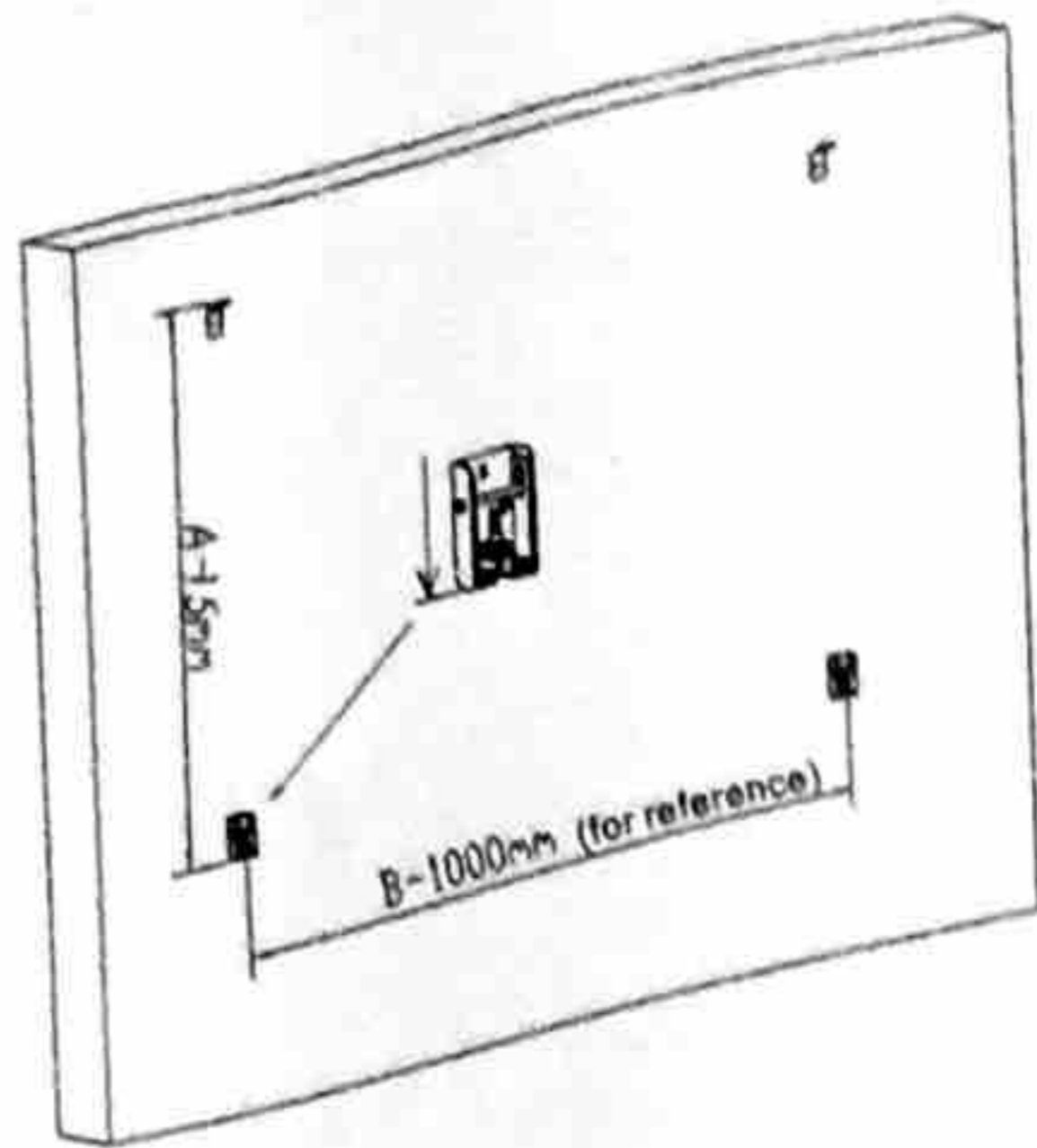




Hang screen on the wall.

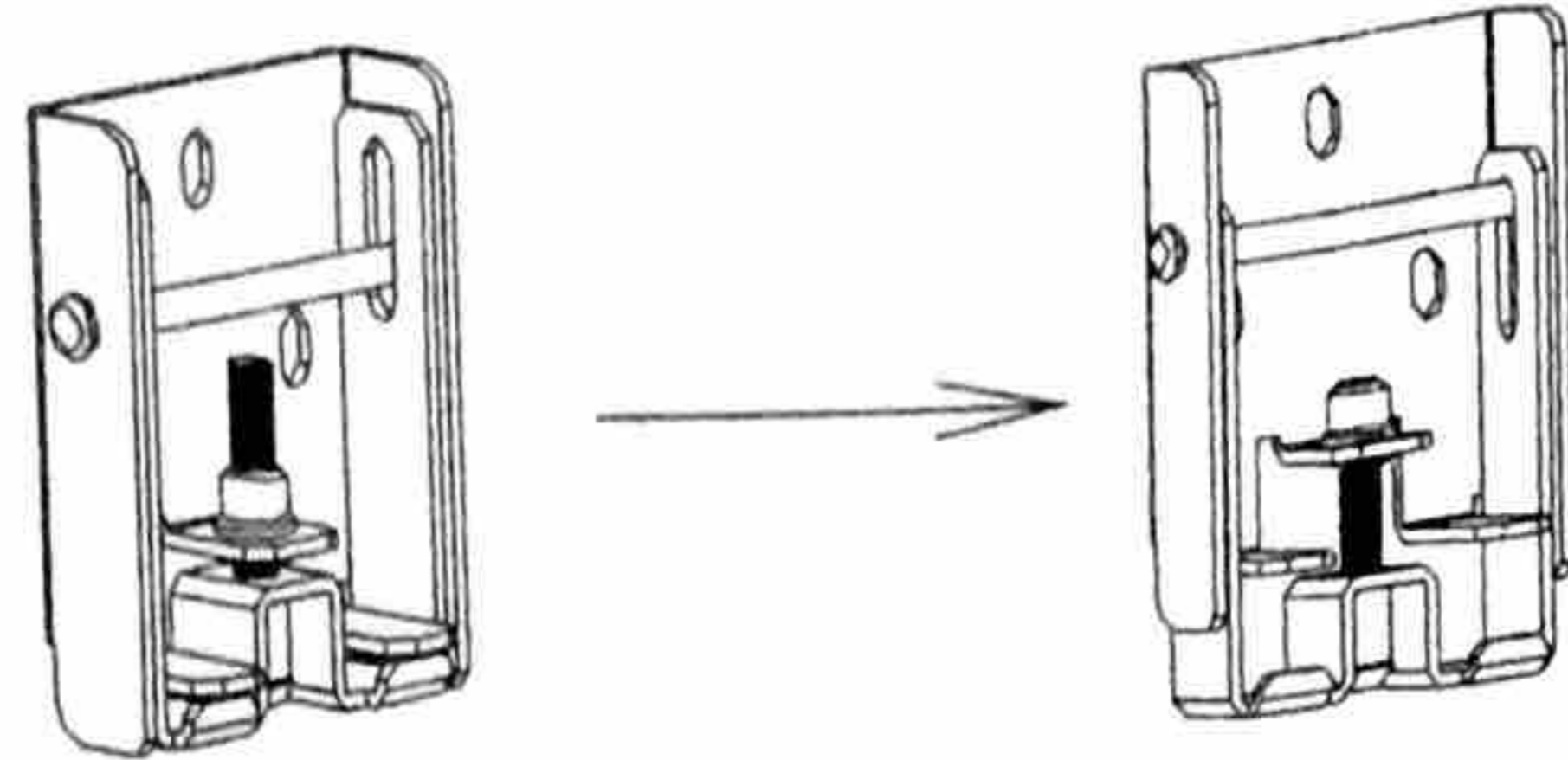


13



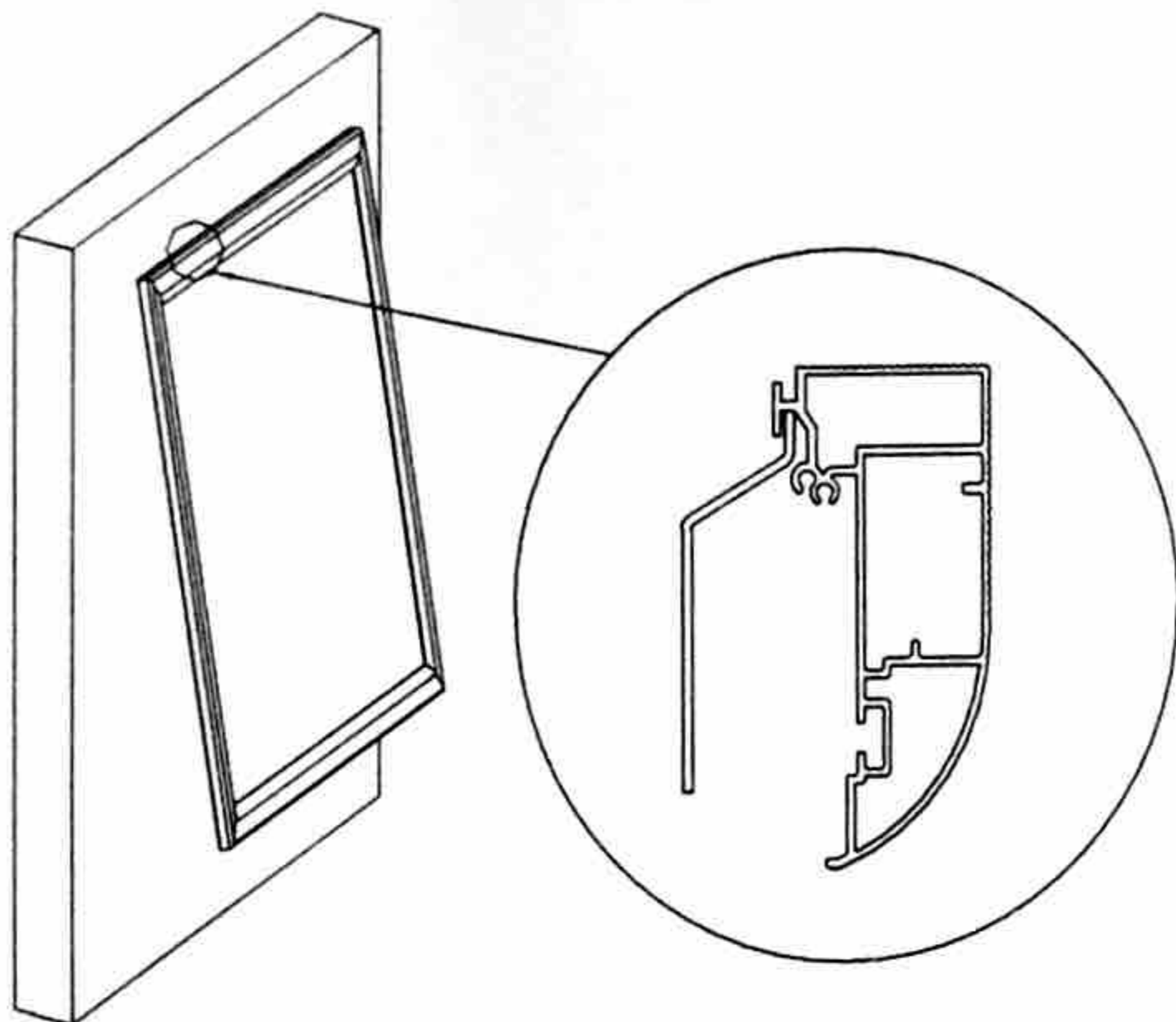
3. Screw the lower brackets to the wall, the distance between the upper bracket and the lower bracket is "A" minus 15mm or 3/5 inch, For example, if your frame "A" measurement is 1270mm or 50 inches. Then the top of your top bracket to the bottom of your bottom bracket (with the bottom bracket screws tightened) would be 1255mm or 49 2/5 inches. the distance between the two lower brackets is "B" minus around 1000mm or 40 inches (for reference)

14



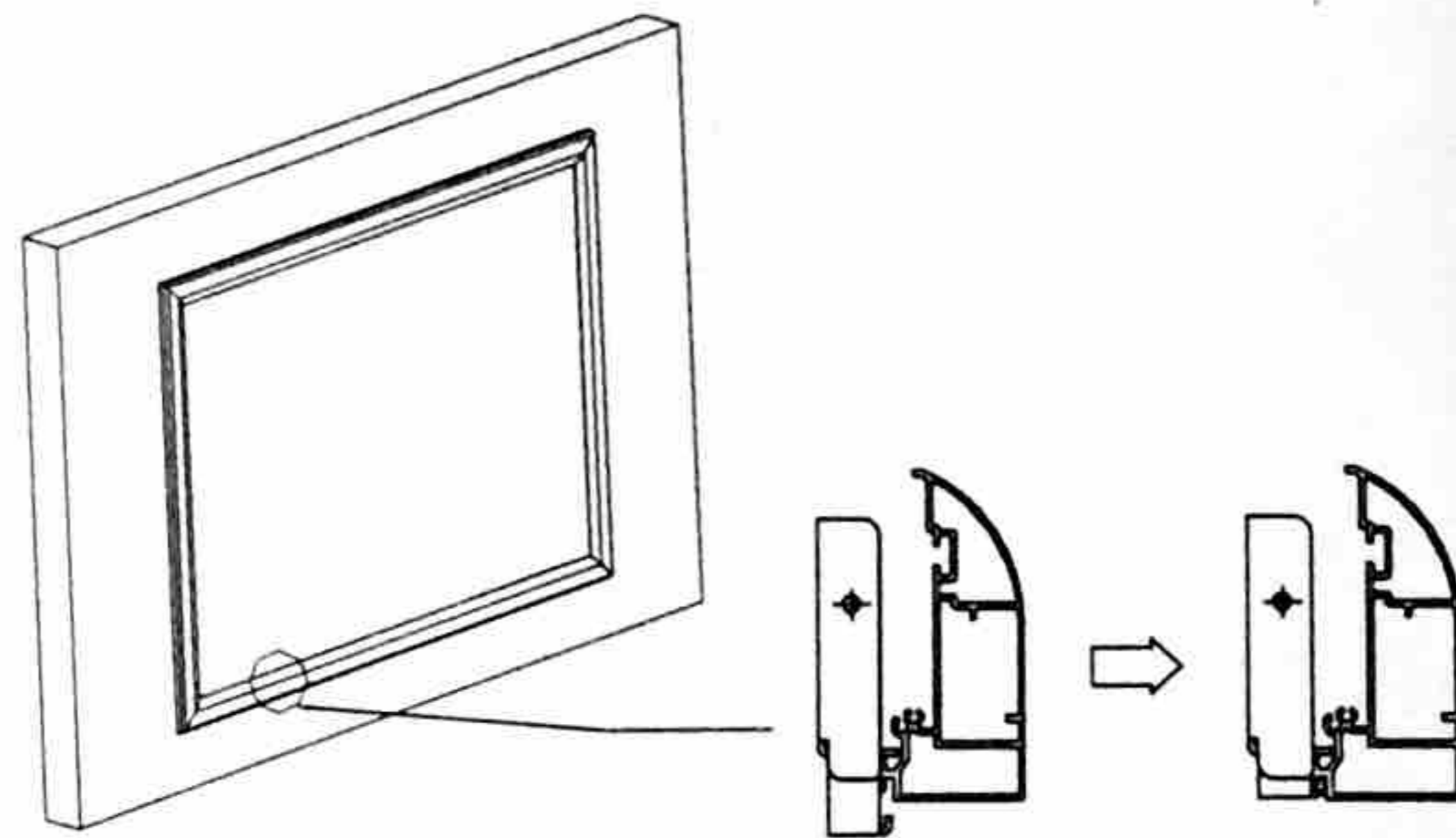
4. Loosen the screws on the lower brackets.

15



5. Hang up the frame on the upper brackets.

16



6. Tighten the screws of the lower brackets to lock the frame.

Caution:

- * Wear safety glasses during assembly and installation of the screen
- * Select an appropriate area of a wall to mount the screen. Make sure the position selected will not interfere with existing features of your room such as wall sockets, switches, etc.
- * Do not install the screen over an electric outlet or switch. Doing so creates a serious fire hazard.
- * For homes with stud-wall construction, use a stud finder or carefully measure to determine where the studs are located in the wall. The screen must be mounted to the studs. Never rely on gypsum board, drywall, or thin wall materials to support the weight of the screen!
- * Wash your hands before installing the screen material.
- * Carefully open the package and lay out all the parts on a clean flat surface.
- * Use extreme caution when unpacking the screen. Do not use knives or sharp objects to open the boxes.

Care and Cleaning:

- * Your new screen can be effectively cleaned with a soft cloth using mild soap and water. Do not use harsh detergents, chemicals, distilled spirits or petro-chemicals to clean the screen; doing so may result in severe damage to the screen or the frame coating.
- * If the felt covering on the frame gets dusty or covered with lint, use a household vacuum cleaner with a brush or furniture cleaning attachment to clean the felt. Using excessive amounts of water on the felt is not recommended.
- * Damage done to the screen or frame by improper cleaning voids the warranty of the screen and frame.

Troubleshooting:

- * Initially, there may be some wrinkles in the screen. If there are, do not worry. Let the screen sit for a few days and the wrinkles will most likely come out on their own. If they don't, get a hair dryer. Do not use a heat or laminating gun. Start on the lowest heat setting of the hair dryer. Hold the hair dryer 12" away from the face of the screen material. Point the hair dryer towards the wrinkles for approximately 2 minutes. The wrinkles may begin to look worse at first, then all of a sudden they will begin to disappear. If this does not work at the low setting then set your hair dryer at the medium setting and continue towards the high heat setting until the wrinkles are removed. It is very important that you stay 12" back so you do not ruin the screen material.