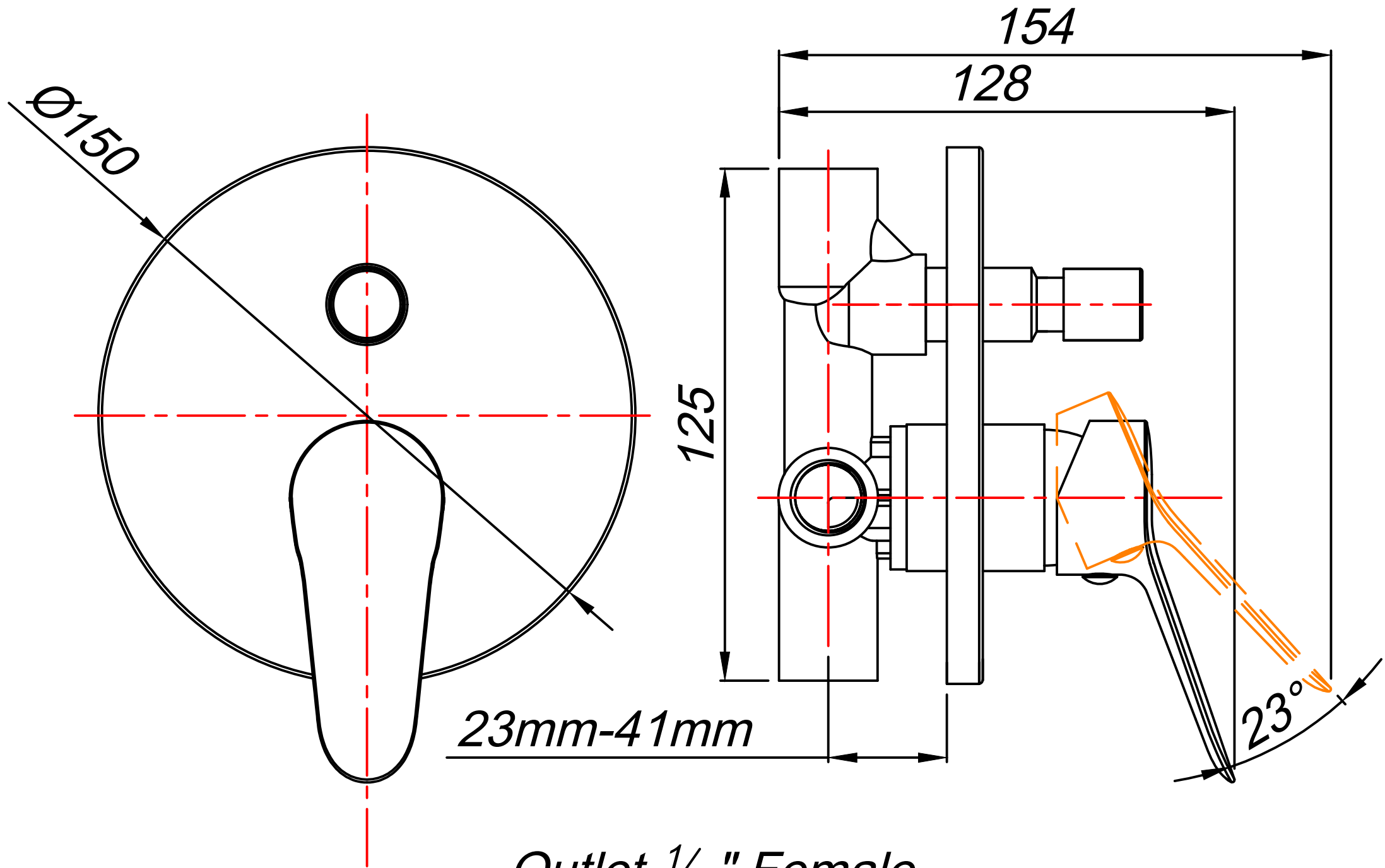


TT00040 Conc/Div Mixer

Water pressure requirement:

Recommended 300kPa

Balanced not exceeding 600 kPa



*Outlet 1/2" Female
to Shower*

