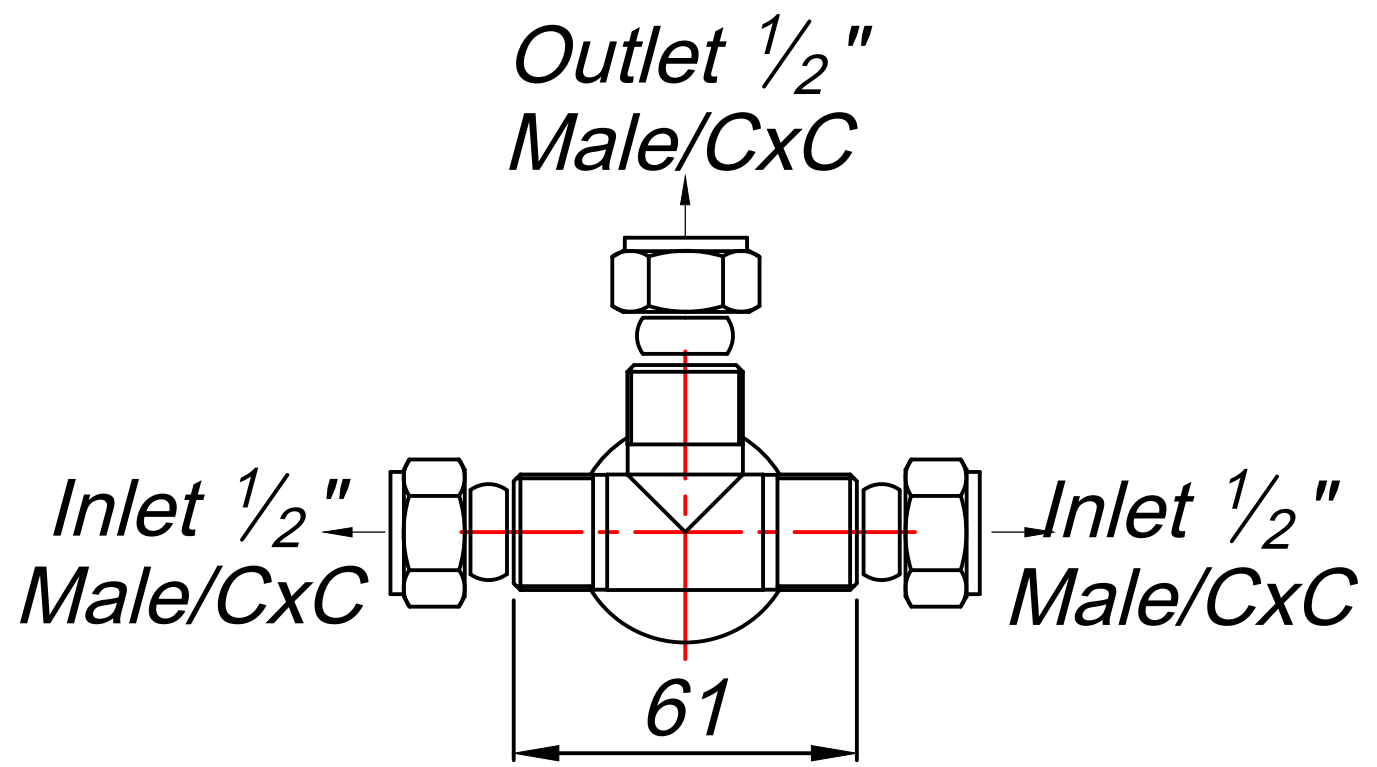
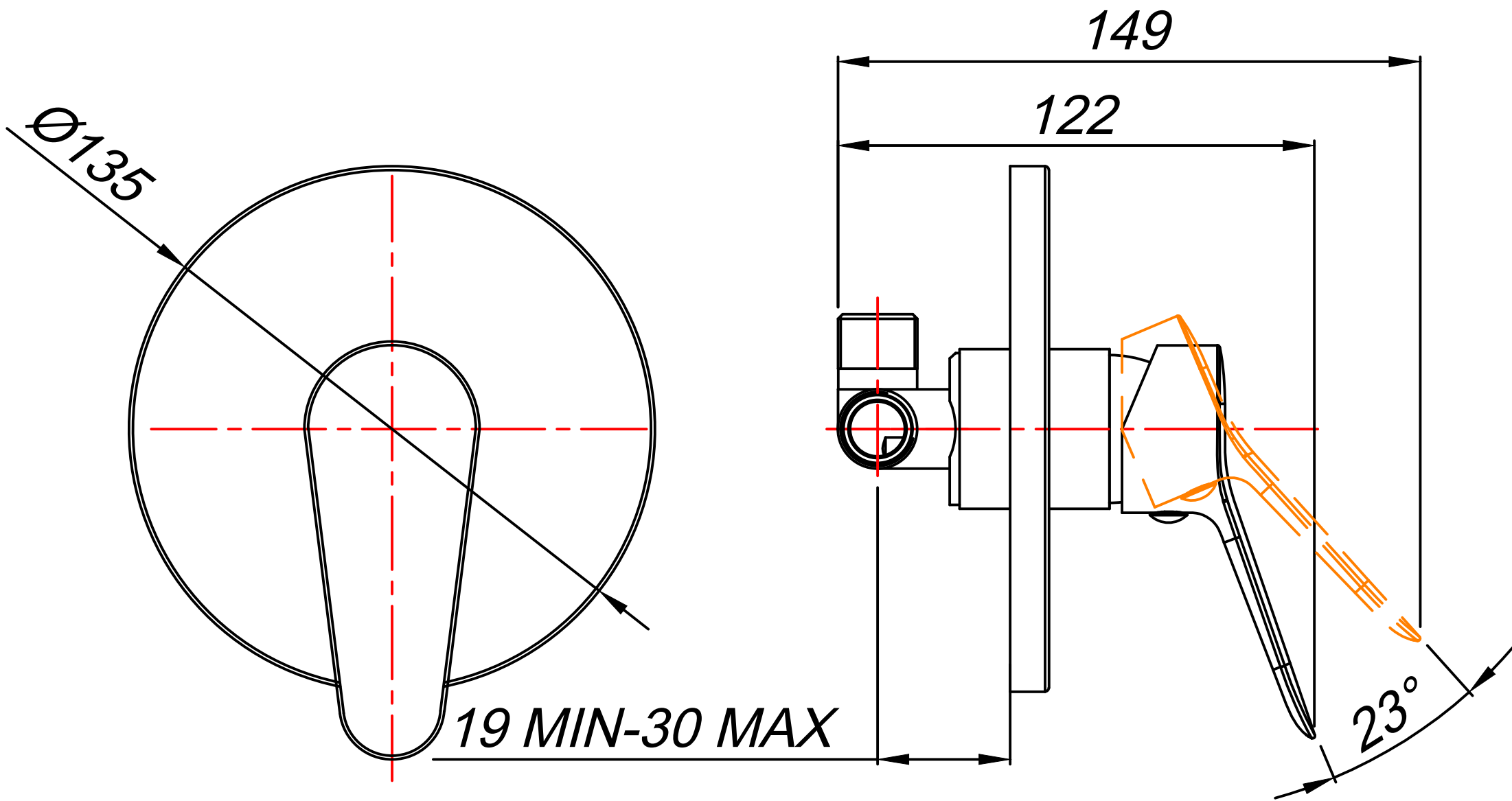


Water pressure requirement:

Recommended 300kPa

Balanced not exceeding 600 kPa



*Only Use SABS Class 2or3 copper tube*