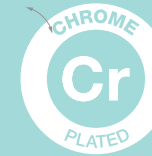


# LIQUIDRED



## VALOUR 2203 Basin Mixer 110mm

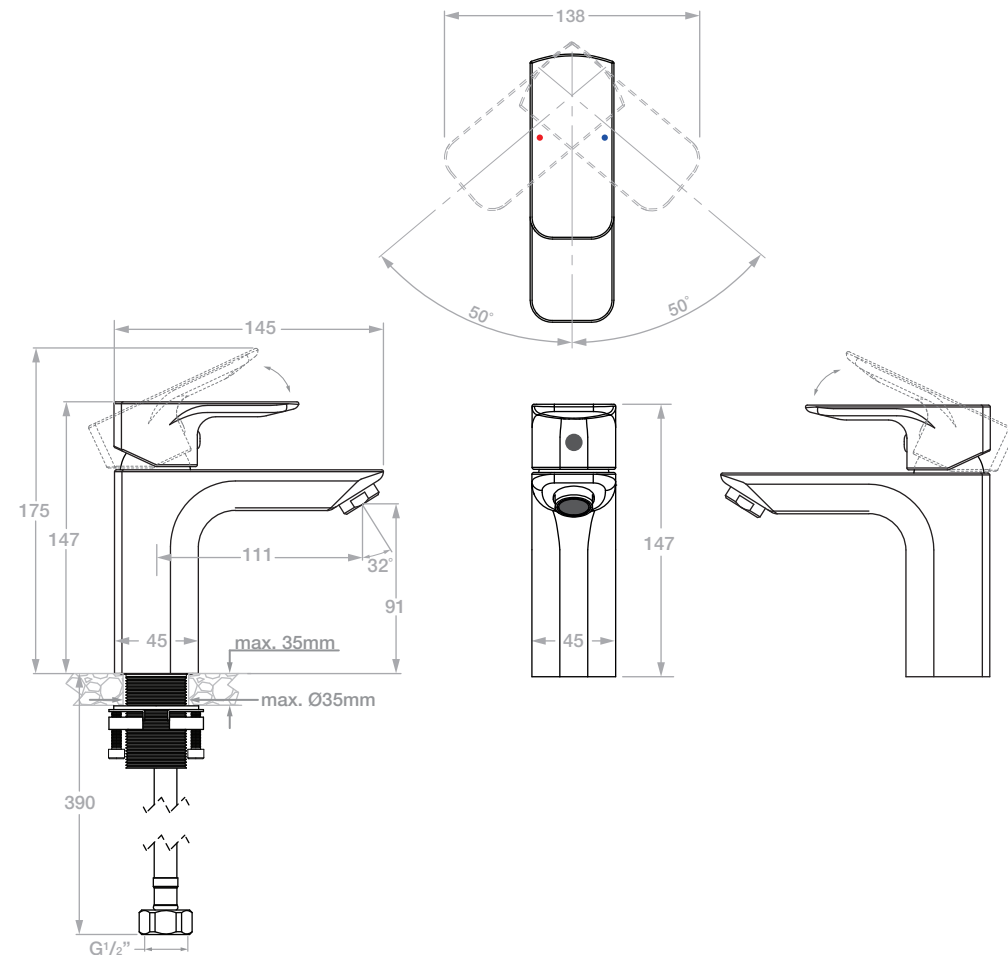
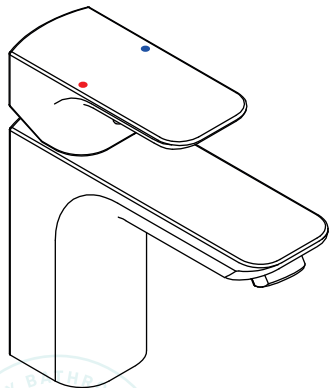
**Model:** TPLR2203####

(\*where #### is the relevant finish code)

\*\*Please note that not all finishes are available as a stocked product in all countries. Additional surcharges, MOQ's and longer lead times may apply.

**Material:** DZR Brass  
**Cartridge:** SEDAL  
**Standard Flow Rate:** 5.8l/min  
**Connection Type:** G1/2" Connections

**Fixing / Mounting System:**  
Double-Locking mounting system  
**Suitable to be installed:**  
Counter top maximum thickness of 35mm  
or directly on a suitable basin



Dimensions given are in mm. LIQUIDRed® reserves the right to alter and /or remove designs from time to time without prior notice. This drawing is to be used for reference purposes only. E &O.E.

Copyright LIQUIDRED® 2022

South Africa - Tel: 011 3348100, Email: info@liquid-red.com, Web: www.liquid-red.com

Document version 020  
Product version 001