

PDO Mk3

Office 
Home 

Manual



The PDO Mk3 - the perfect solution for kitchens, workshops, TV stands, office desks and so much more!



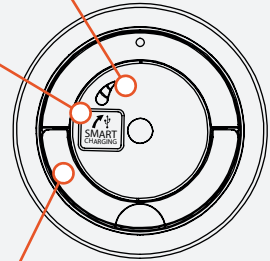
SWIVEL CAP

The spring-loaded swivel cap covers a Smart Charging Dual USB port on top of the unit.

* Please note that Power Logic in no way endorses these brands. Apple®, Android® and Windows® are Proprietary Trademarks of Apple®, Google® and Microsoft® respectively.

USB SMART CHARGER

A dual port USB smart charger can detect connected Apple®, Android® and Windows® mobile devices whilst providing fast charging. It supports sleep mode charging for most Apple® products and is compatible with USB 2.0 and 3.0 portable devices. A maximum, overall current of 2.1A is available for the dual USB ports.*



HANDLE & CABLE FLAP

A fold-flat chro-med handle for raising the unit out of the work surface doubles as a cable exit from which cables can extend when plug tops are left in the power outlets of the stowed away unit.

15A THERMAL OVERLOAD SWITCH

Protects the unit from power overloads.

POWER OUTLETS

Choose between 24 international power outlets available in black, grey and white.

POWER OUTLET ORIENTATION

Power outlets are pre-fitted at any angle in 45° increments.

LOCK RELEASE BUTTON

Button keeps unit locked in the raised position. Once pressed, the lock releases allowing the unit to retract back into the work surface.

LOCKING COLLAR RING

A big and robust locking collar for quick and easy installation.

BELOW SURFACE POWER

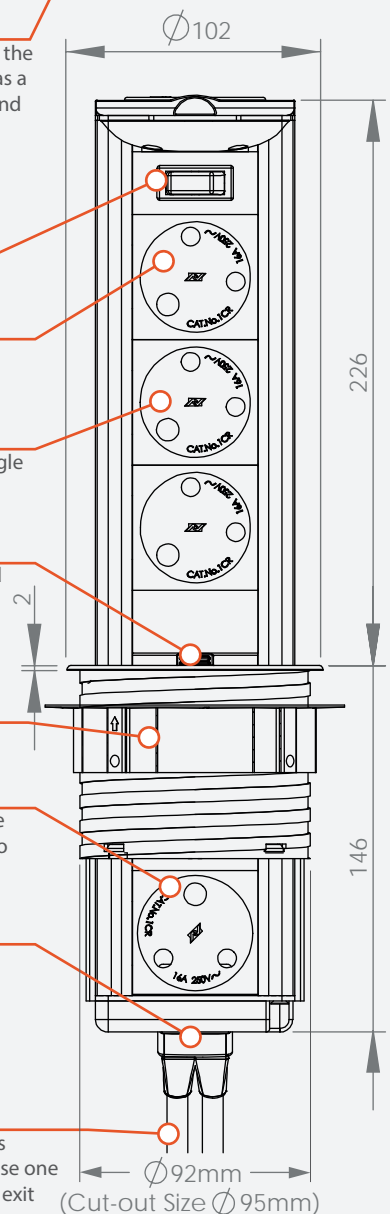
One power outlet is located under the work surface for products that need to be permanently connected.

SWIVELLING CABLE OR CONNECTOR EXIT

Allows for a 90 degree range of orientation, extending cable life by relieving cable stress, and allowing the cable to exit in the best suited position. Also available with 3PP connector.

POWER OPTIONS

The unit has Hybrid Power capabilities (power & data) and is also able to house one or more circuits in a single unit (cable exit version only).



All measurements are in millimeters unless otherwise indicated