

PDO Mk1

Office 
Home 

Manual



The PDO Mk1 - the perfect solution for kitchens, workshops, TV stands, office desks and so much more!



HANDLES

Two fold-flat chromed handles for raising and lowering the unit in and out of the work surface.

SPLASH PROOF SEAL

Unit comes with a rubber seal to protect against liquid spills.

ALUMINIUM CAP COVER

Aluminium cap cover to protect the rubber seal.

15A THERMAL OVERLOAD SWITCH

Protects the unit and other products connected to it from getting damaged in the case of a power surge.

POWER OUTLET ORIENTATION

Power outlets are pre-fitted at any angle in 45° increments.

POWER OUTLETS

Choose between 24 international power outlets. Visit www.powerlogic.net for more information.

LOCK RELEASE BUTTON

Button keeps unit locked in the raised position and, once pressed, releases lock to allow for lowering unit back into the work surface.

LOCKING COLLAR RING

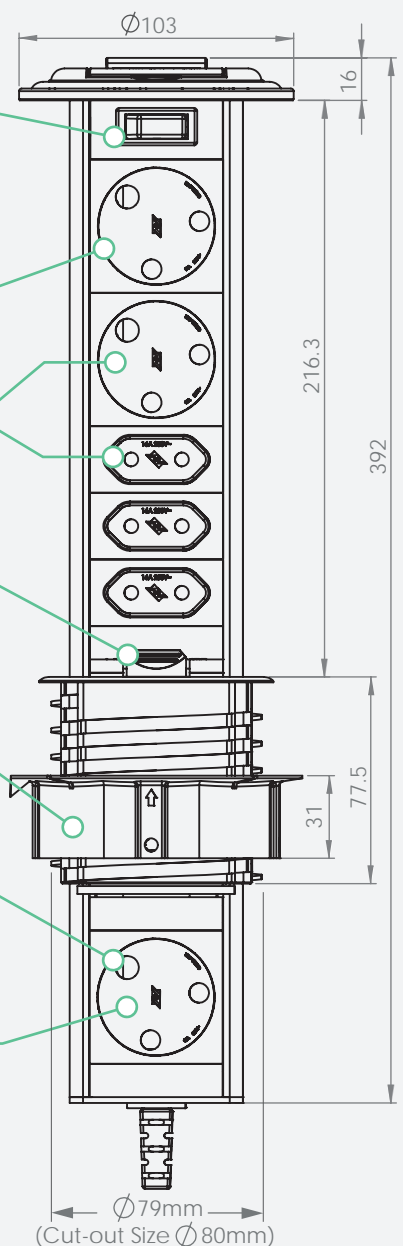
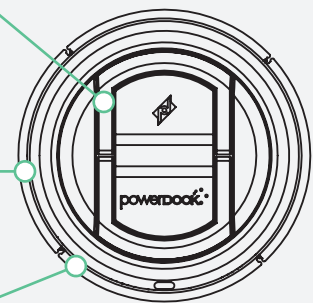
A robust locking collar for quick and easy installation.

SHUTTERED OUTLETS

Power outlets come with a built-in shutter to protect against foreign objects being inserted.

BELOW-SURFACE POWER

An additional power outlet is fitted under the work surface for products that need to be connected permanently.



All measurements are in millimeters unless otherwise indicated

© 2017 Copyright Power Logic SA (Pty) Ltd. All Rights Reserved. Due to continual product improvements and upgrades, Power Logic reserves the right to amend and change products as it sees fit. As such, images of products are for indicative purposes only and actual products may vary from those depicted and certain options may be unavailable. Always check with your distributor or with Power Logic regarding availability of the product of your choice.