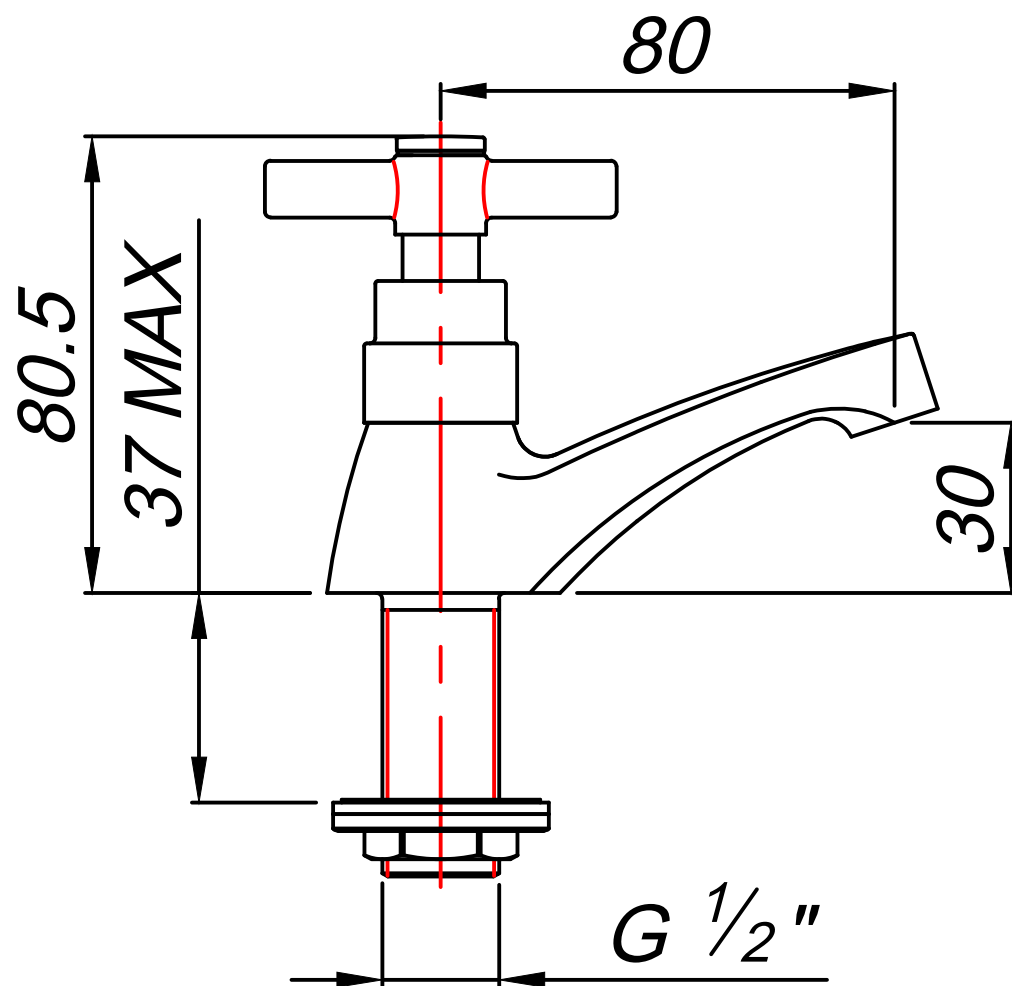


*NT00050 Pillar tap*



*Only Use SABS Class  
2or3 copper tube or  
Flexible Hose*