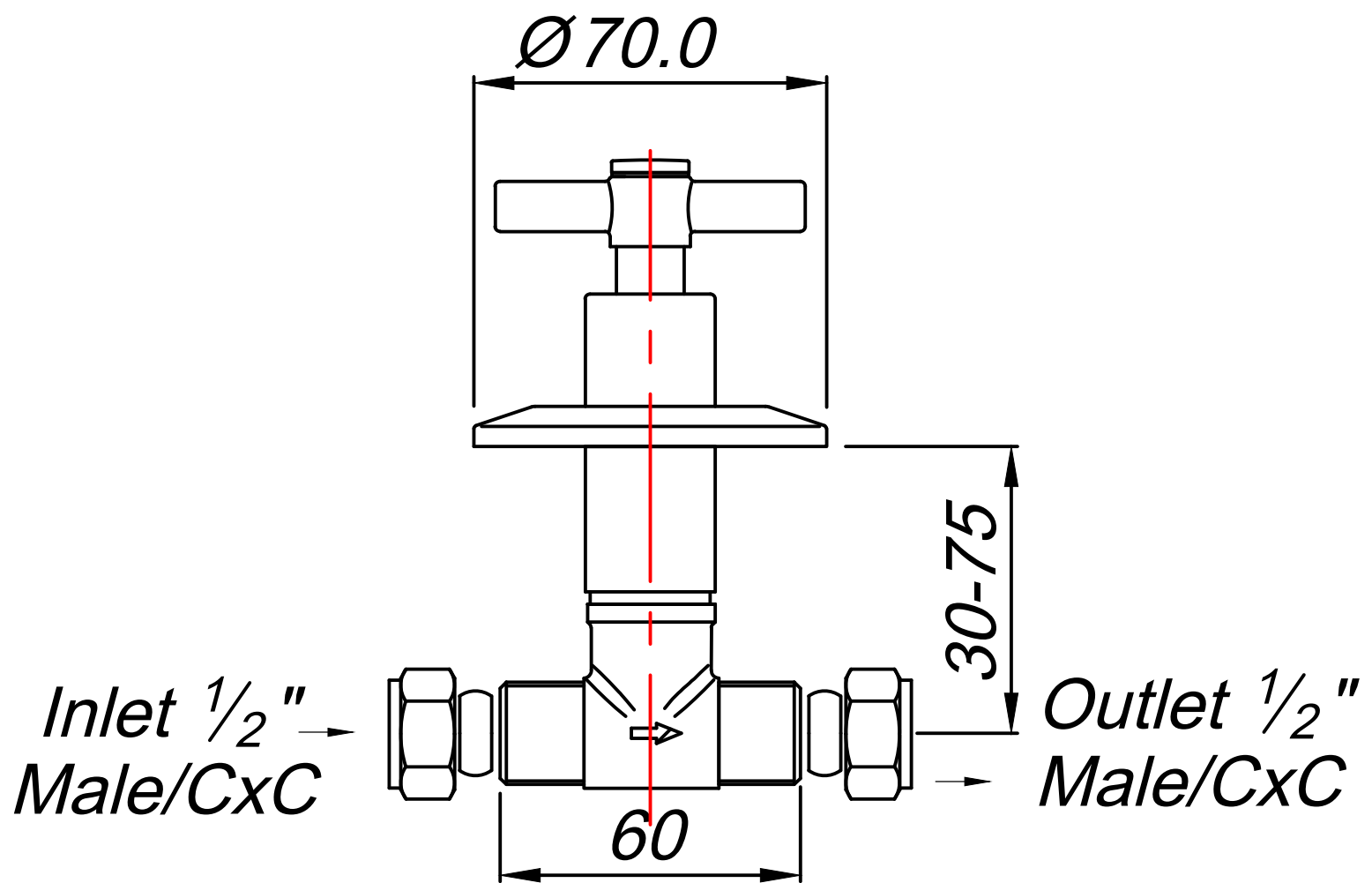


*NT00000 Undertile*



*Only Use SABS Class 2or3 copper tube*