

MT00030 Bath Mixer

Water pressure requirement:

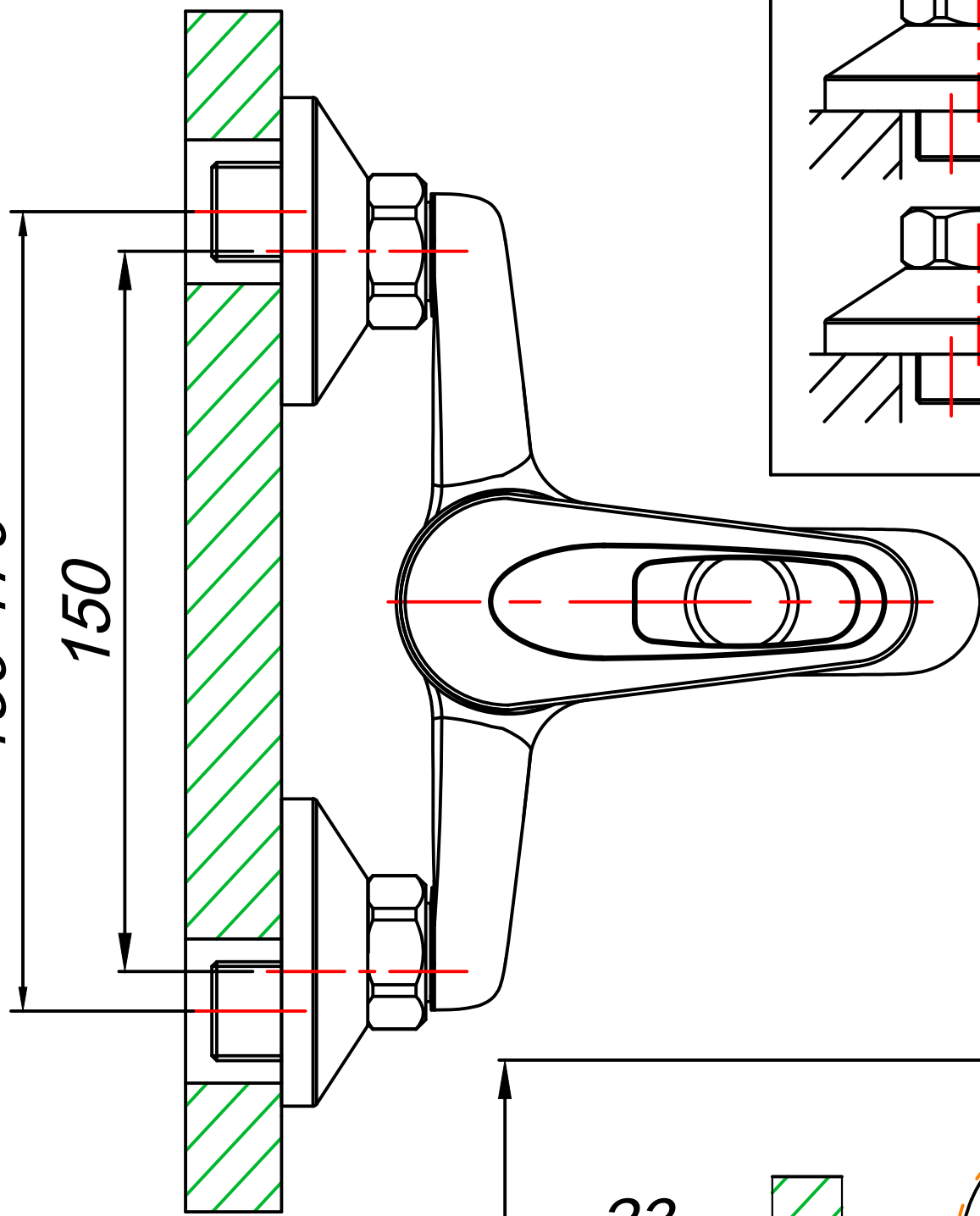
Recommended 300kPa

Balanced not exceeding 600 kPa

ADJUSTABLE:

130-170

150



S-connections to be installed parallel and level to each other

