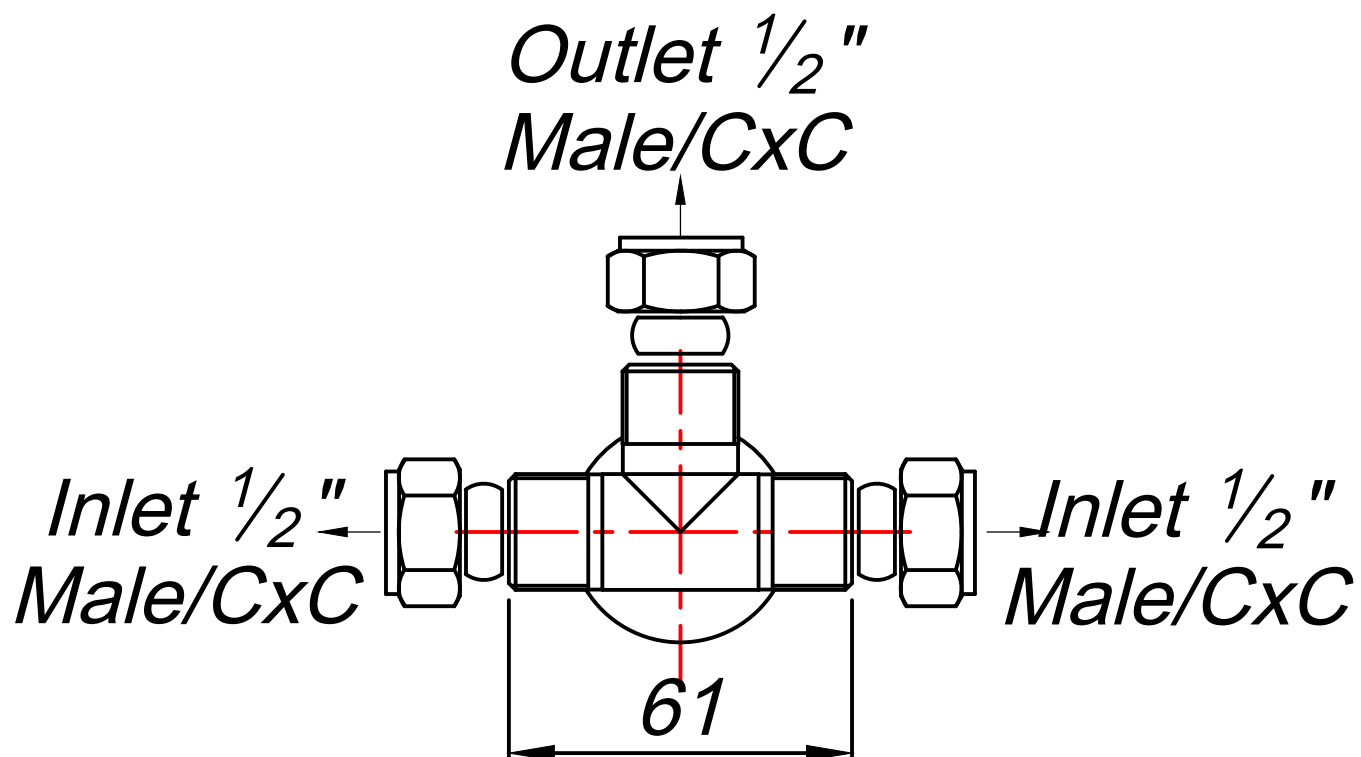
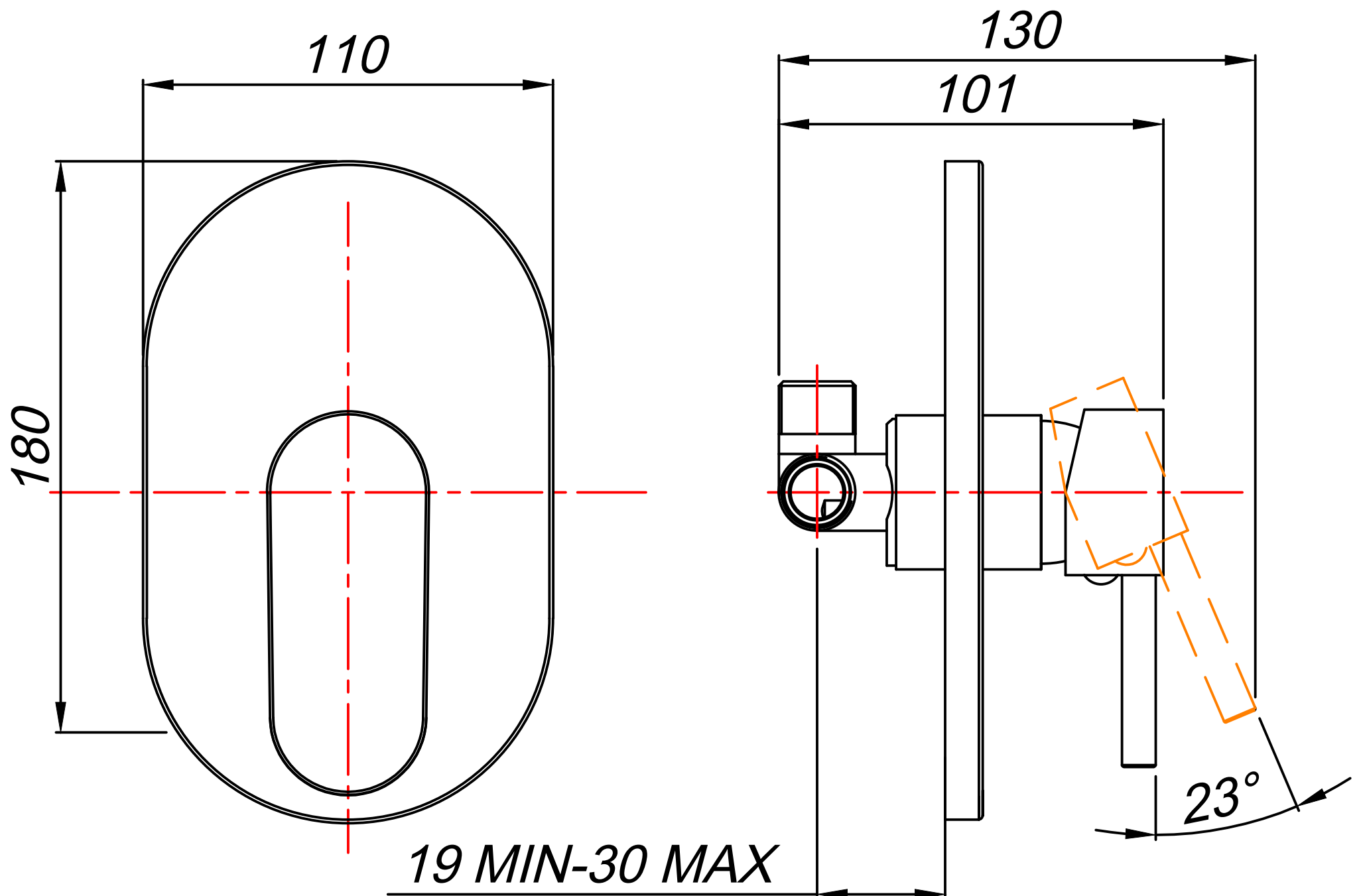


*BA00000 Concealed Mixer*

*Water pressure requirement:*

*Recommended 300kPa*

*Balanced not exceeding 600 kPa*



*Only Use SABS Class 2or3 copper tube*