

EN-LN1230

Project.....

Fixture Type.....

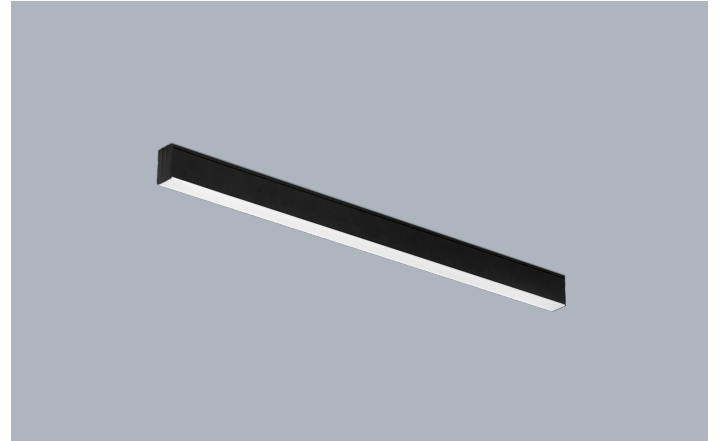
Comments.....

Prepared By.....

Product Description:

Supplied with 2m suspension cable and surface mount brackets, the InterLED™ PRO is an LED linear batten suitable for a range of applications. Delivering 100lm/W the opal polycarbonate diffuser ensures uniform light distribution. Available in a choice of white or black finish, with the option to add an emergency pack.

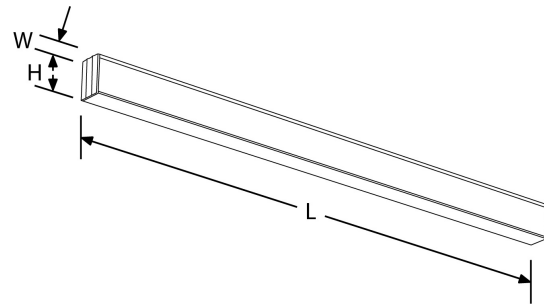
Product Image:



Product Feature:

- Opal polycarbonate diffuser with uniform distribution
- Delivering 100lm/W
- Supplied with 2m suspension cable and surface mount brackets
- Suitable to be surface mounted or suspended
- 5 Year Warranty

Product Dimension:



Compliance & Approvals:



Product Specs:

Input Voltage	220~240V AC
Input Frequency	50/60HZ
Power Factor	0.90
Operating Temp (Min-Max)	-20-40°C (-4~104°F)
Dimmable	No
Dimensions	1200mm (L) x 50mm (W) x 81.5mm (H) x mm (OD) x mm (RD) x mm
Number of LEDs	360

SKU Code	Colour	lm	Wattage	Lumens/Watt	Product Type
EN-LN1230BLK/40	4000	3000	30	100	Non Dimmable
EN-LN1230EMBLK/40	4000	3000	30	100	Emergency
EN-LN1230W/40	4000	3000	30	100	Non Dimmable

Warranty

This product has a warranty period of 5 Years from the date of purchase. The warranty is invalid in the case of improper use, installation, tampering, and removal of the Q.C. date label; installation in an improper working environment or installation not according to the current edition of the National Electric Code. Should this product fail during the warranty period it will be replaced free of charge, subject to the correct installation of the original product and subsequent return of the faulty unit. Aurora does not accept responsibility for any installation costs associated with the replacement of this product and Aurora reserves the right to alter specifications without prior notice.

ZA Sales & Distribution
Building 6 Pinewood
Office Park 33 Riley
Road, Woodmead Gauteng
South Africa
Tel : +27 (0) 11 234 4878