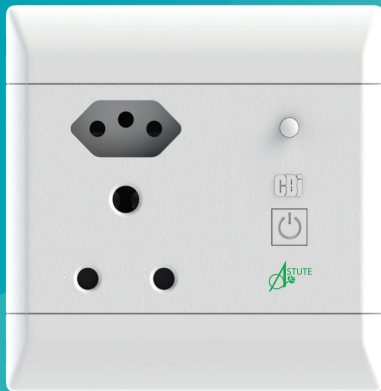


# Astute Smart Plug



ASP

The Astute Smart Plug is an energy monitoring, scheduling and control device with load management capability. The CBI Home App enables the user to configure the ASP to react to current, voltage, time, power and many other variables or a combination thereof. The ASP can be used to remotely control appliances, lights and more.



Wi-Fi enabled  
Scheduled energy management  
Energy monitoring  
Automation and IoT  
Device automation sharing  
CBI Home App and more



[www.cbi-lowvoltage.co.za/ASP](http://www.cbi-lowvoltage.co.za/ASP)

## Features

- ▶ Wi-Fi enabled (2.4 GHz only)
- ▶ Fits standard wall boxes
- ▶ Energy monitoring
- ▶ Energy control
- ▶ Application controlled (CBI Home App)
- ▶ Custom automation and custom scenarios
- ▶ Multiple ON / OFF programs
- ▶ Service life: 20 000 operations at full load
- ▶ Manual ON / OFF switch (Power Button)
- ▶ Scheduling function - weekday / hour / minute
- ▶ No hub required

## Requirements

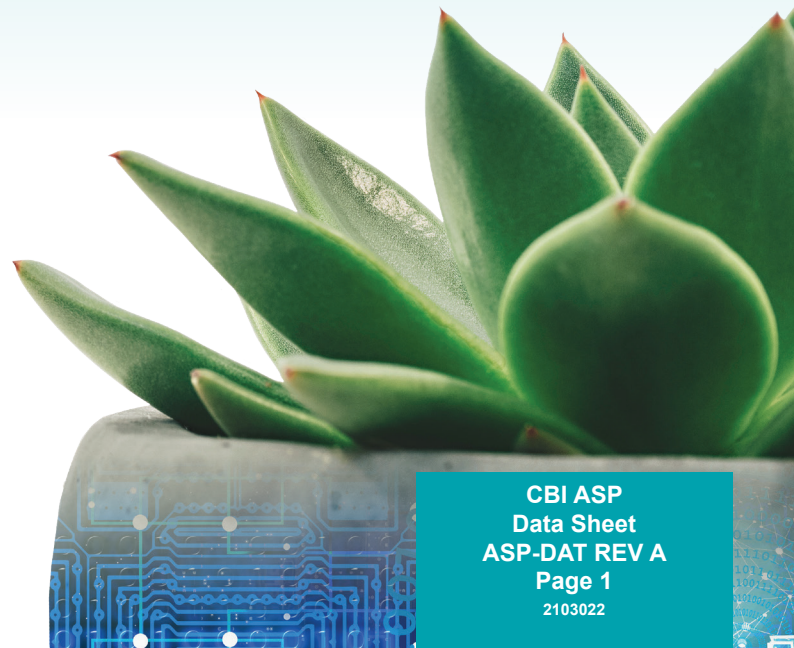
- ▶ 2.4 GHz Wi-Fi with internet connection
- ▶ Smartphone or tablet

## Approvals

- ▶ SANS 164
- ▶ ICASA

## Applications

- ▶ Automation and IoT
- ▶ Residential
- ▶ Commercial
- ▶ Light industrial
- ▶ Home / office automation
- ▶ Appliances
- ▶ Lights
- ▶ And more



# Astute Smart Plug

## Technical Data

Parameter	Specification
Supply Voltage	230 V, 50 Hz ~, 1 Ph
Rated operational Current (Ie)	16 A
Contact Life	20 000 cycles
Degree of Ingress Protection	IP20 when installed
Rated Insulation Voltage (Ui)	250 Vac
Rated impulse withstand Voltage (Uimp)	2,5 kV
Rated Duty	Uninterrupted duty
Rated short-time withstand current & duration	12Ie/1s
Rated short-circuit making capacity	12 x 1,41Ie
Terminal Size	6 mm <sup>2</sup>
Operating Temperature Range	-20 °C to +55 °C
Mounting Options	4 x 4 surface or wall mount
Pollution Degree	2 - Normally only non-conductive pollution occurs
Programmable Period	Week, day, minute
Accuracy	Dependant on ISP

## Ordering Information

Astute Smart Plug		
Product	Description	Order No.
ASP	Astute Smart Plug	ASP

## CBI Home App Information

- ▶ Available on the App Store or on Google Play



- ▶ **Option 1:** Search for CBI Home on the App Store or on Google Play and install. See App icon below:



- ▶ **Option 2:** Scan the QR code below and select App Store or Google Play:



# Astute Smart Plug

## Installation

1. This device must be installed by a qualified electrician
2. Isolate supply before installing the ASP
3. Install the ASP in the outlet box
4. Connect the ASP according to Figure 1
5. To power the ASP press the isolation switch (refer to Figure 2). Once power is ON the LED will light up.
6. Download and install the CBI Home App from either the App Store or on Google Play
7. Follow the pairing guide as indicated in the Instruction Manual ([www.cbi-lowvoltage.co.za/asp](http://www.cbi-lowvoltage.co.za/asp))

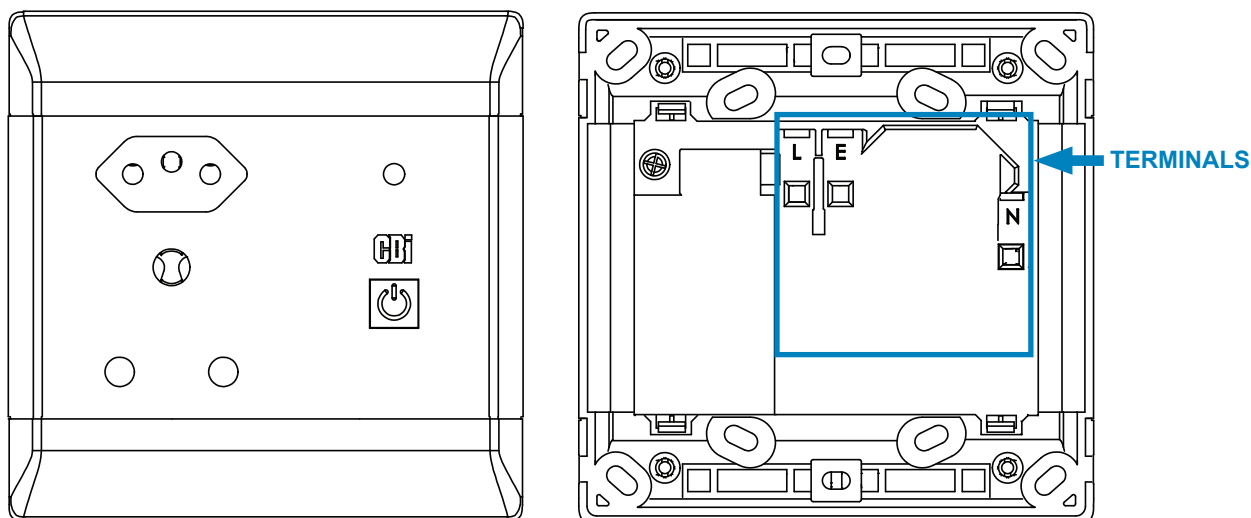


Figure 1: ASP installation

## LED Status Information

LED Status Indication						
Power	Wi-Fi	Pair Mode	Output	LED Status		Comment
				RED	BLUE	
OFF	*	*	*	OFF	OFF	Power OFF
ON	*	UNPAIRED	OFF	ON	OFF	Not paired and / or no Wi-Fi
ON	*	ACTIVE	OFF	ON	ON FLASHING	Pairing Mode active
ON	ON	PAIRED	OFF	ON	ON	Successful connection to Wi-Fi and output OFF
ON	*	PAIRED	ON	ON FLASHING	ON	Manual or App output ON
ON	*	UNPAIRED	ON	ON FLASHING	OFF	Manual ON only

## Isolation Switch

Always turn off isolation switch before performing an insulation resistance test on the installation. Turning the isolation switch off for 1 second will reboot the ASP.

## Power Button

Power Button		
	Press Power Button and release after	LED Status
Manual Control	1 second	RED FLASH
Wi-Fi Pairing	5 seconds	BLUE FLASH

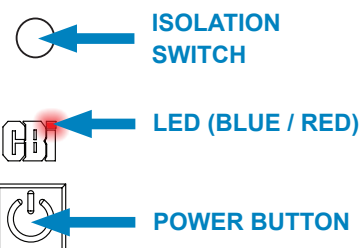


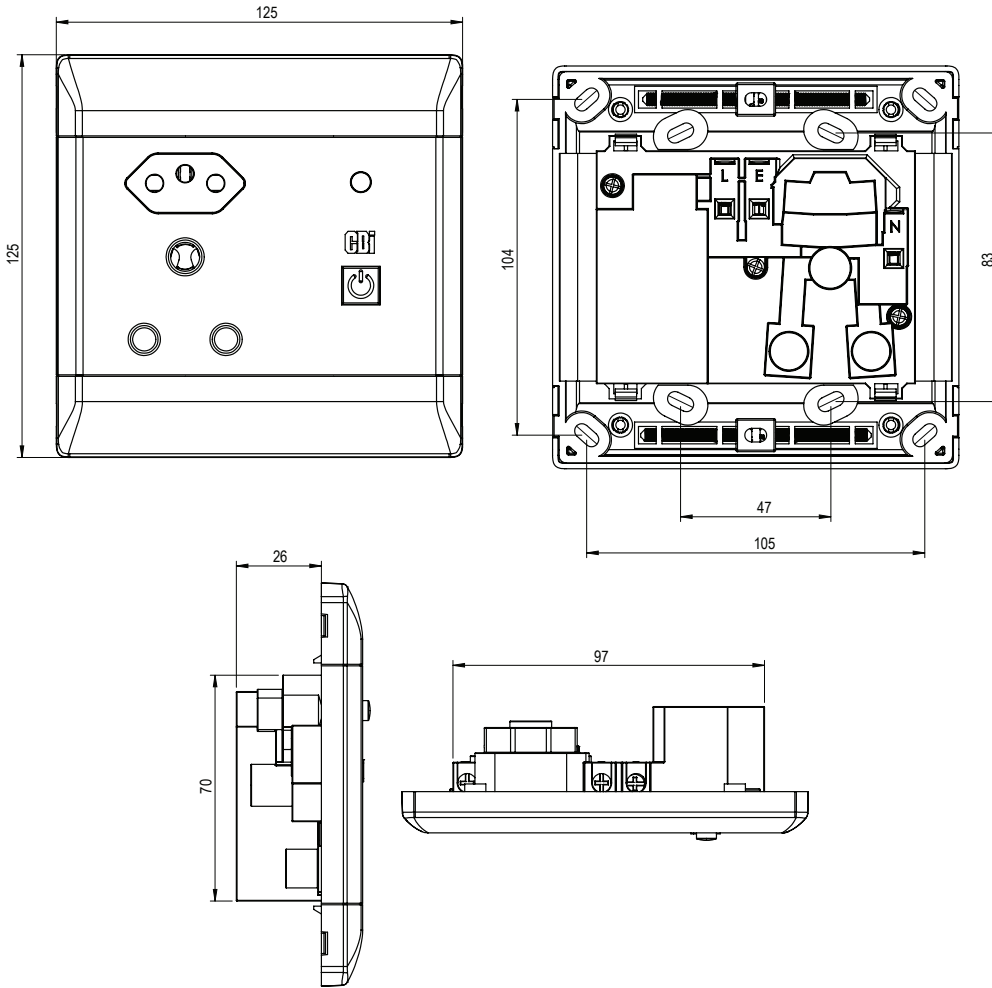
Figure 2: ASP Front Face

## Power Failure

The unit will not operate during a power failure. The functions of the ASP will be re-established when power, a Wi-Fi and internet connection is restored.

Programming instructions are provided in the instruction manual supplied with each Astute Smart Plug and are also available online: [www.cbi-lowvoltage.co.za/ASP](http://www.cbi-lowvoltage.co.za/ASP)

## Outline Dimensions:



Website



LinkedIn



Facebook



YouTube

### SOUTH AFRICA

**CBI-electric: low voltage**  
 Tripswitch Drive Elandsfontein  
 Gauteng South Africa  
 Tel: +27 11 928 2000  
 Email: [astute@cbi-electric.com](mailto:astute@cbi-electric.com)  
 Website: [www.cbi-lowvoltage.co.za](http://www.cbi-lowvoltage.co.za)

### AUSTRALIA

**CBI-electric: Australia**  
 27 Wedgewood Rd, Hallam  
 Victoria 3803 Australia  
 Tel: +61 3 8752 9300  
 Fax: +61 3 9796 5407  
 Email: [sales@cbi-electric.com.au](mailto:sales@cbi-electric.com.au)  
 Website: [www.cbi-electric.com.au](http://www.cbi-electric.com.au)

### USA

**CBI-electric: North America**  
 35 E. Uwchlan Ave Suite 328  
 Exton PA 19341 USA  
 Tel: +1 610 524 9949  
 Fax: +1 610 524 9945  
 E-mail: [info@cbibreakers.com](mailto:info@cbibreakers.com)  
 Website: [www.cbibreakers.com](http://www.cbibreakers.com)

TOLERANCE  $\pm 0.4$  UNLESS OTHERWISE SPECIFIED

A member of the **REUNERT** Group

© 2020 CBI (Pty) Ltd. All Rights Reserved.

Please review our Customer Terms and Conditions on [www.cbi-lowvoltage.co.za](http://www.cbi-lowvoltage.co.za)  
 All rights reserved. Unless otherwise indicated, all materials on these pages are copyrighted by CBI (Pty) Ltd. No part of these pages, either text or image may be used for any purpose other than personal use. Therefore, reproduction, modification, storage in a retrieval system or retransmission, in any form or by any means, electronic, mechanical or otherwise, for reasons other than personal use, is strictly prohibited without prior written permission. CBI (Pty) Ltd reserves the right to alter any details of this document without notice and while every effort is made to ensure the accuracy of the content, no warranty is given as to the accuracy of this document and no responsibility will be accepted for error or misinterpretation and any resulting loss.