

Talis S

Single lever basin mixer for concealed installation wall-mounted with spout 16.5 cm

Surfaces: **Chrome** Article Number: **72110000**



Description

product features

- consists of: single lever basin mixer for concealed installation wall-mounted, waste set
- projection 165 mm
- spray type: normal spray
- flow rate at 3 bar: 5 l/min
- ceramic cartridge
- temperature limitation adjustable
- suitable for continuous flow water heaters
- non-closing waste set
- material waste set: metal
- connection type: basic set
- connection dimension: DN15

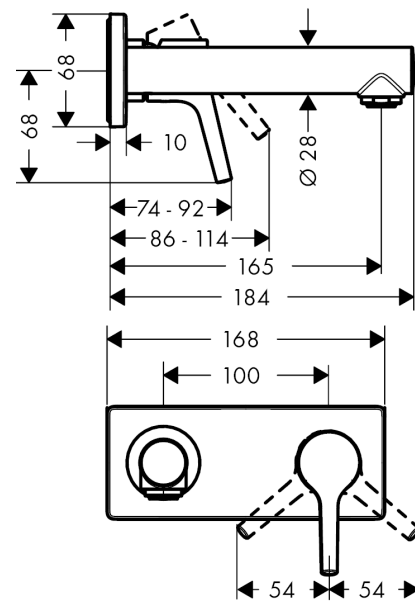
Technology



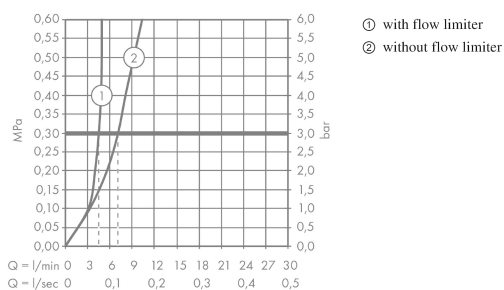
Product image



Scale drawing



Flowchart



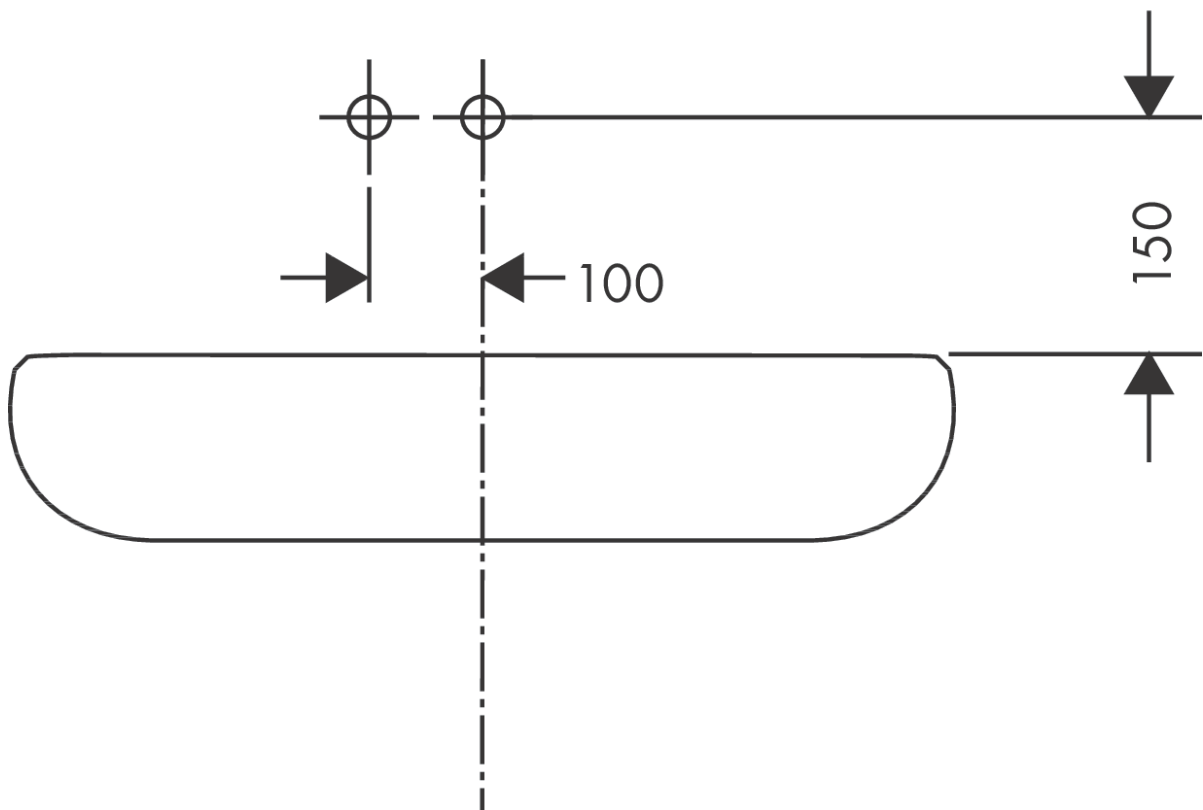
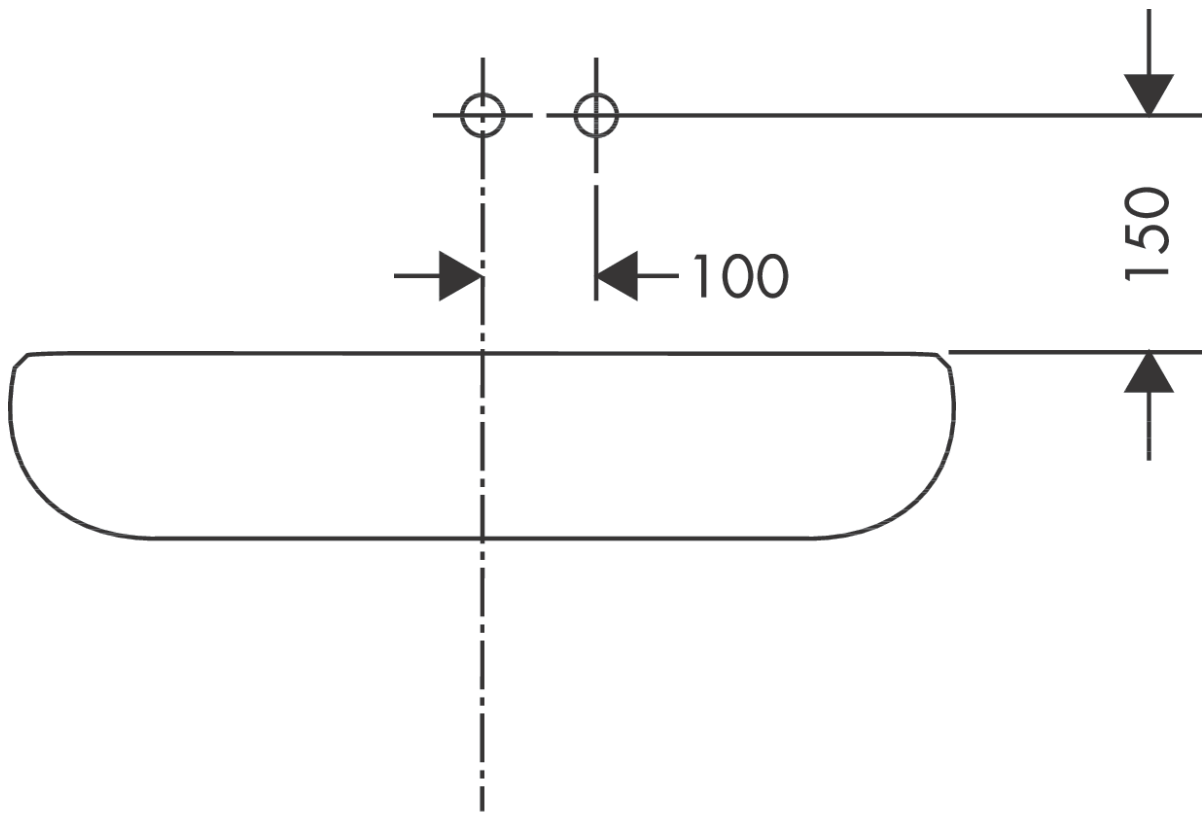
Talis S

Single lever basin mixer for concealed installation wall-mounted with spout 16.5 cm

Surfaces: **Chrome** Article Number: **72110000**



Installation examples



Talis S

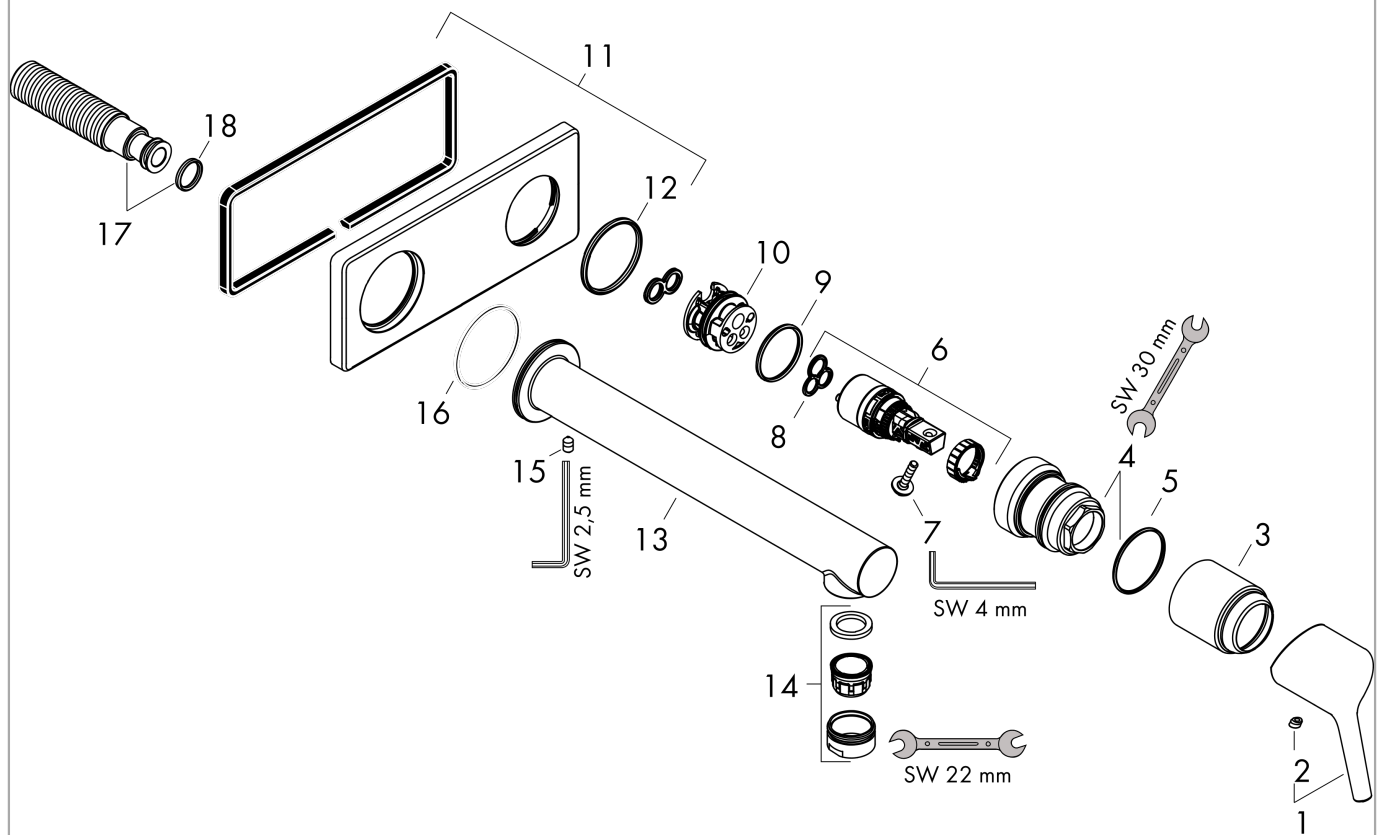
Single lever basin mixer for concealed installation wall-mounted with spout 16.5 cm

Surfaces: **Chrome** Article Number: **72110000**



Exploded Drawing

Year of production: >10/15



Talis S

Single lever basin mixer for concealed installation wall-mounted with spout 16.5 cm

Surfaces: **Chrome** Article Number: **72110000**



Spare part list

Year of production: >10/15

Pos.	Description	Article Number	Price	PU
1	handle	92648000	-	1
2	screw cover	96338000	-	1
3	flange	92657000	-	1
4	nut	92658000	-	1
5	O-ring 33x1,5	98164000	-	1
6	cartridge, assy	97685000	-	1
7	locking screw for handle	95140000	-	1
8	seal	98865000	-	1
9	O-ring 26x2	98147000	-	1
10	adapter for cartridge	95634000	-	1
11	escutcheon	92649000	-	1
12	O-ring 35x3	98435000	-	1
13	spout 165 mm	92655000	-	1
14	aerator M24x1 (5 l/min)	13185000	-	1
15	hollow set screw M5x8	92851000	-	1
16	O-Ring 36x2,5	98190000	-	1
17	connecting thread G½	95626000	-	1
18	O-ring 13x2	98128000	-	1
a	base body	13622180	-	1
b	extension set 25 mm for 13622180	31971000	-	1
c	waste	50001000	-	1
d	Grease	90920000	-	1
e	adapter for exchanged connections	93819000	-	1