

Design trap Flowstar S

Surfaces: **Matt Black** Article Number: **52105670**



Description

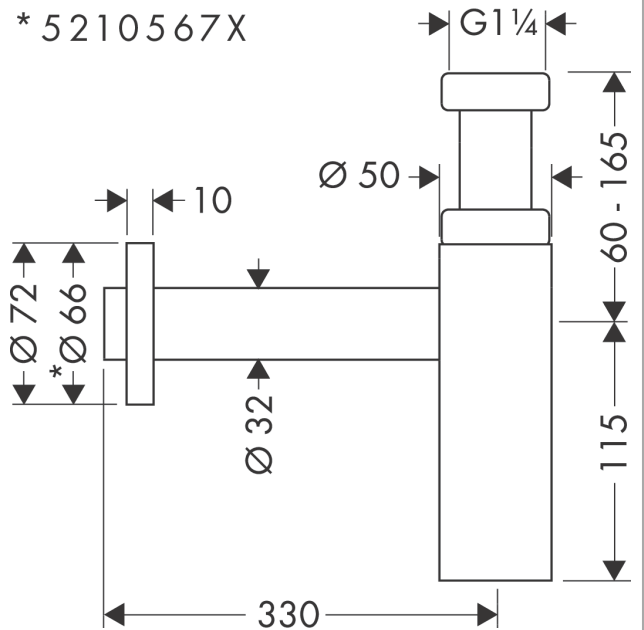
product features

- adjustment distance 60 - 165 mm
- distance to wall 330 mm
- connection dimension entry: G 1¼
- connection dimension outlet DN32

Product image



Scale drawing



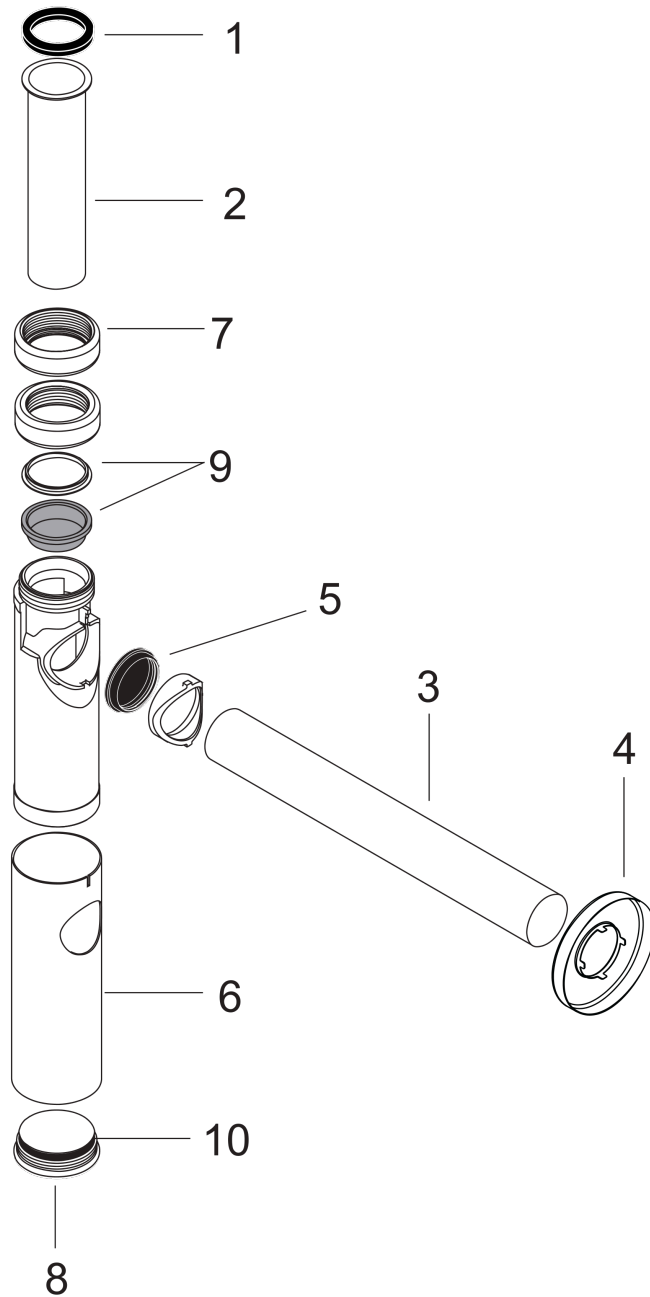
Design trap Flowstar S

Surfaces: **Matt Black** Article Number: **52105670**



Exploded Drawing

Year of production: >11/19



Design trap Flowstar S

Surfaces: **Matt Black** Article Number: **52105670**



Spare part list

Year of production: >11/19

Pos.	Description	Article Number	Price	PU
1	seal 1¼"	53971000	-	1
2	sleeve pipe 1¼" 150 mm	96420670	-	1
3	wall pipe 1¼" 500 mm	53493670	-	1
4	escutcheon	96490670	-	1
5	sealed box	96487000	-	1
6	sleeve	96554670	-	1
7	sleeve nut	97702670	-	1
8	plug	97258000	-	1
9	wedge-shaped seal 1¼"	97701000	-	1
10	O-ring 38x2,5	98198000	-	1