

sBox

Finish set square

Surfaces: **Chrome** Article Number: **28010000**



Description

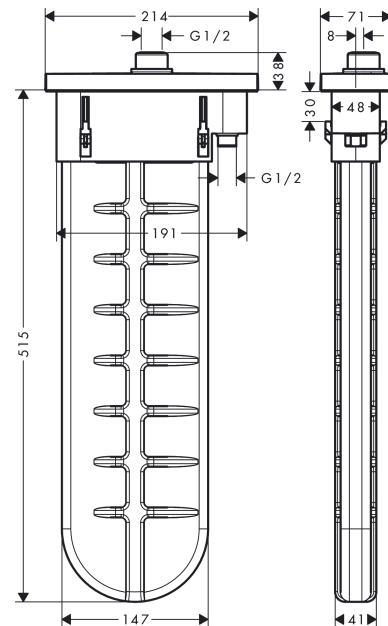
product features

- consists of: hose box, shower hose, escutcheon
- suitable for rim or tile mounted installation
- 1 function
- sBox for quiet, smooth and protected hose guidance
- flow rate at 3 bar: 9,5 l/min
- no additional maintenance opening required
- installation:
 - bath rim width at least 100 mm
- clamping range: 0 - 30 mm
- connection dimension: DN15
- maximum pull-out length of hand shower 1.45 m
- removable for service at any time
- protected against backflow for domestic use (according to DIN EN 1717)
- scope of supply: finish set, mounting material, assembly instruction

Product image



Scale drawing



sBox

Finish set square

Surfaces: **Chrome** Article Number: **28010000**



Flowchart

