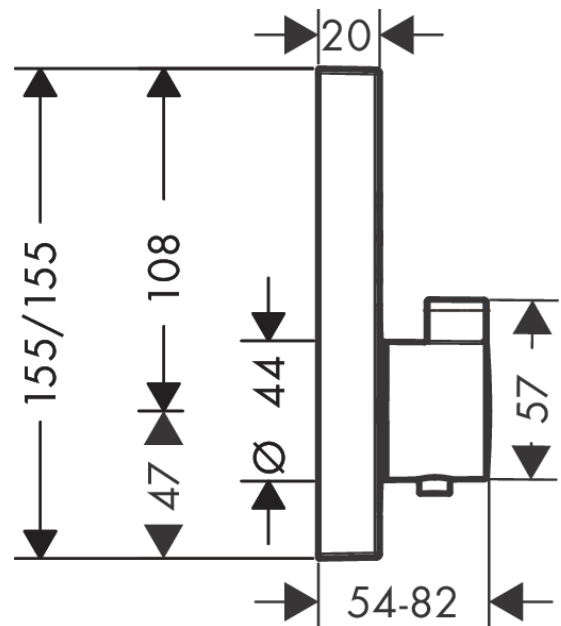


ShowerSelect**Thermostat for concealed installation for 2 functions**Surfaces: **Matt Black** Article Number: **15763670****Description****product features**

- 2 functions
- Select push-button on/off control for 2 outlets
- simultaneous use of several outlets
- flow rate upper outlet: 25 l/min
- flow rate lower outlet: 23 l/min
- thermostat cartridge, Start/stop valve to operate the functions
- safety lock at 40° C
- temperature limitation adjustable
- connection type: basic set
- min. operating pressure: 1 bar
- max. operating pressure: 10 bar
- Thermostat is delivered with buttons hand shower and Rain large

Technology**Design awards****Product image****Scale drawing**

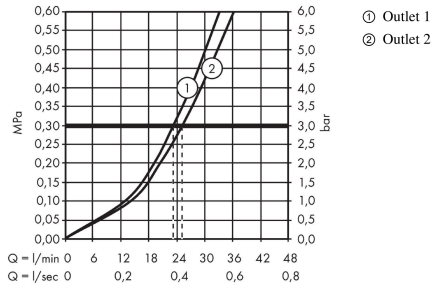
ShowerSelect

Thermostat for concealed installation for 2 functions

Surfaces: **Matt Black** Article Number: **15763670**



Flowchart

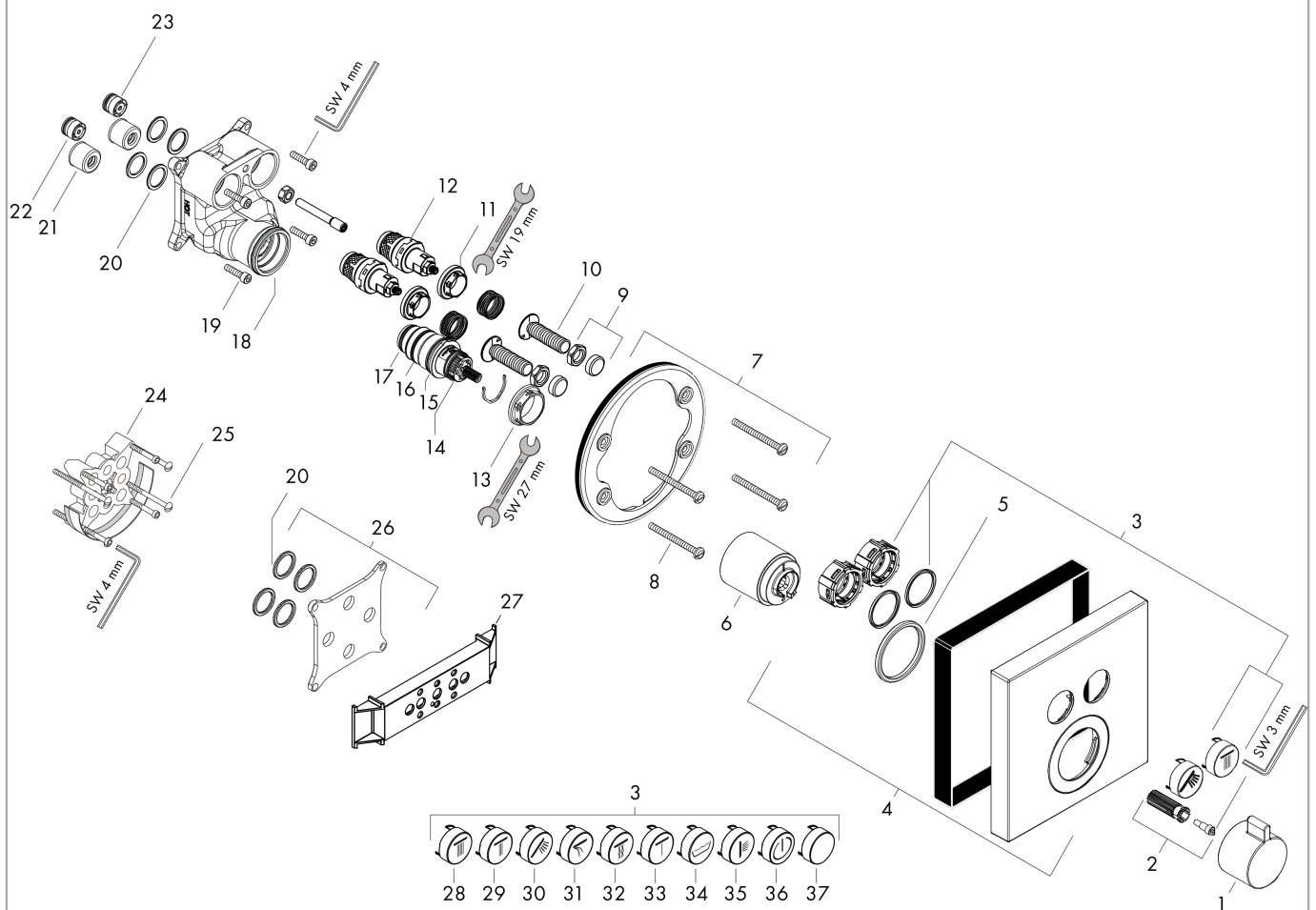


ShowerSelect
Thermostat for concealed installation for 2 functions
 Surfaces: **Matt Black** Article Number: **15763670**



Exploded Drawing

Year of production: >07/19



ShowerSelect

Thermostat for concealed installation for 2 functions

Surfaces: **Matt Black** Article Number: **15763670**



Spare part list

Year of production: >07/19

Pos.	Description	Article Number	Price	PU
1	handle for thermostat	92215670	-	1
2	handle fixing set	95843000	-	1
3	set of symbols	92218000	-	1
4	escutcheon 155 / 155 mm	92217670	-	1
5	O-ring 44x4	98471000	-	1
6	sleeve	92216670	-	1
7	holder for escutcheon	98793000	-	1
8	set of fixing screws	96454000	-	1
9	nut and flange	92696000	-	1
10	Select-adapter	92219000	-	1
11	nut	98368000	-	1
12	shut off unit	95758000	-	1
13	nut	98913000	-	1
14	thermostat cartridge	98282000	-	1
15	O-ring 20x1,5	98197000	-	1
16	O-ring 25x1,5	98146000	-	1
17	O-ring 25x2,5	92146000	-	1
18	O-ring 36x2	98156000	-	1
19	set of screws	96525000	-	1
20	O-ring 16x2	98133000	-	1
21	noise reduction	94073000	-	1
22	non return valve (pressure-resistant up to 2 MPa)	92594000	-	1
23	non return valve	97980000	-	1
24	extension 25 mm	13595000	-	1
25	set of fixing screws	97747000	-	1
26	compensation set 1°	95521000	-	1
27	fit-up aid	92540000	-	1
28	symbol head shower Rain large	93571670	-	1
29	symbol head shower Rain small	93572670	-	1
30	symbol handshower	93573670	-	1
31	symbol Flood jet	93574670	-	1
32	symbol Whirl	93575670	-	1
33	symbol Mono	93576670	-	1
34	symbol tub	93577670	-	1
35	symbol body shower	93578670	-	1
36	symbol ON/OFF	93579670	-	1
37	pushbutton	93955880	-	1
a	concealed item	01800180	-	1
b	Grease	90920000	-	1