

**Ecostat Square**  
**Thermostat for concealed installation for 2 functions**  
 Surfaces: **Matt Black** Article Number: **15714670**



### Description

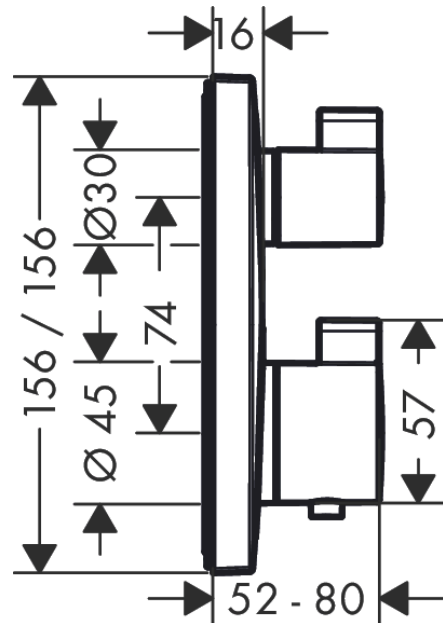
**product features**

- 2 functions
- maximum flow rate at 3 bar: 29 l/min
- flow rate upper outlet: 28 l/min
- flow rate lower outlet: 25 l/min
- thermostat cartridge, shut-off/ diverter valve
- safety lock at 40° C
- temperature limitation adjustable
- connection type: basic set
- min. operating pressure: 1 bar
- max. operating pressure: 10 bar

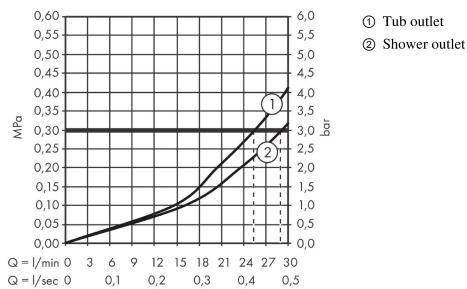
### Product image



### Scale drawing



### Flowchart

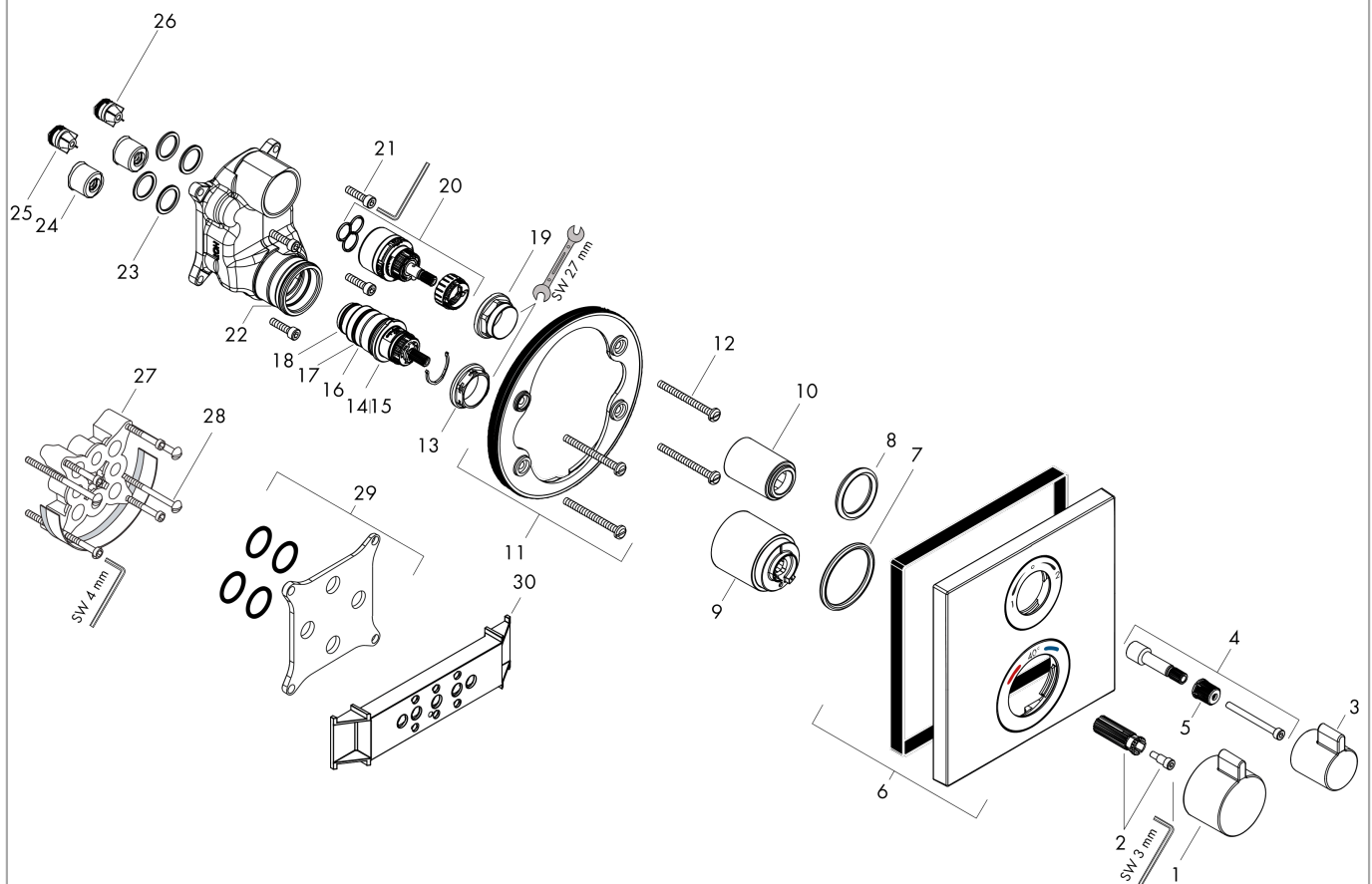


**Ecostat Square**  
**Thermostat for concealed installation for 2 functions**  
 Surfaces: **Matt Black** Article Number: **15714670**



**Exploded Drawing**

Year of production: >07/19



**Ecostat Square**  
**Thermostat for concealed installation for 2 functions**  
 Surfaces: **Matt Black** Article Number: **15714670**



## Spare part list

Year of production: >07/19

Pos.	Description	Article Number	Price	PU
1	handle for thermostat	92215670	-	1
2	handle fixing set	95843000	-	1
3	handle	92281670	-	1
4	adapter for handle	95252000	-	1
5	handle fixing set	98932000	-	1
6	escutcheon 155 / 155 mm	93241670	-	1
7	O-ring 44x4	98471000	-	1
8	O-ring 30x5	98153000	-	1
9	sleeve	92216670	-	1
10	sleeve	95253670	-	1
11	holder for escutcheon	98793000	-	1
12	set of fixing screws	96454000	-	1
13	nut	98913000	-	1
14	thermostat cartridge	98282000	-	1
15	cartridge for exchanged connections	92373000	-	1
16	O-ring 25x2,5	92146000	-	1
17	O-ring 25x1,5	98146000	-	1
18	O-ring 20x1,5	98197000	-	1
19	nut	95255000	-	1
20	shut off unit with selector	98283000	-	1
21	O-ring 36x2	98156000	-	1
22	set of screws	96525000	-	1
23	O-ring 16x2	98133000	-	1
24	noise reduction	94073000	-	1
25	non return valve (pressure-resistant up to 2 MPa)	92594000	-	1
26	set of non return valves DW 15	97350000	-	1
27	extension 25 mm	13595000	-	1
28	set of fixing screws	97747000	-	1
29	compensation set 1°	95521000	-	1
30	fit-up aid	92540000	-	1
a	concealed item	01800180	-	1