

RainSelect

Thermostat for concealed installation for 4 functions with integrated shower holder

Surfaces: **Chrome** Article Number: **15357000**



Description

product features

- consists of: Thermostat, shower holder
- depending on volume flow and installation situation approx. 50% flow rate reduction and integrated shut off function
- 4 functions
- Select push-button on/off control for 4 outlets
- simultaneous use of several outlets
- maximum flow rate at 3 bar: 26 l/min
- safety lock at 40° C
- hose nut: for shower hoses with conical or cylindrical nut on both sides
- connection type: basic set
- min. operating pressure: 1 bar
- max. operating pressure: 10 bar
- Button: Thermostat is delivered with buttons hand shower, Waterfall, Rain large, Mono
- scope of supply: Thermostat, mixing unit, mounting material, assembly instruction
- not included: basic set

Technology



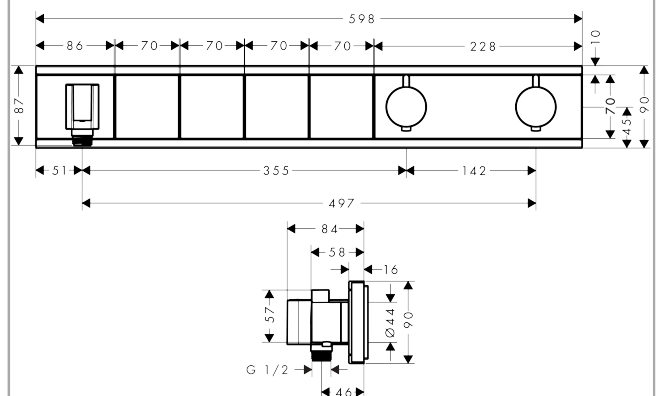
Design awards



Product image



Scale drawing



RainSelect

Thermostat for concealed installation for 4 functions with integrated shower holder

Surfaces: **Chrome** Article Number: **15357000**



Installation examples

RainSelect
1531218X / 15357XXX

