

RainSelect

Basic set for 2 functions

Surfaces: n.a. Article Number: 15310180



Description

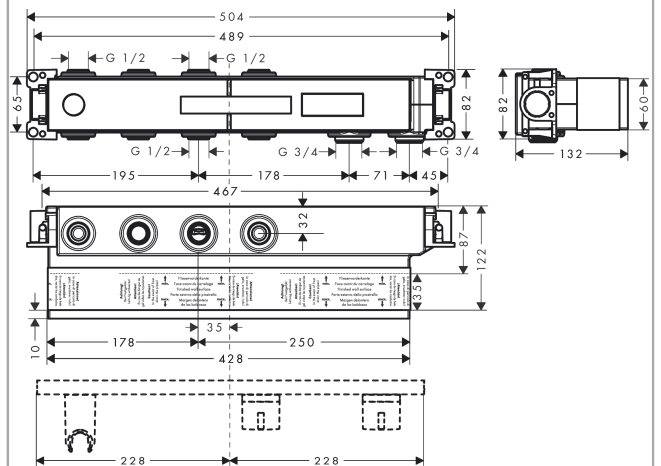
product features

- 2 functions
- connection dimension: DN15/DN20
- scope of supply: basic set, seal, assembly instruction

Product image



Scale drawing



RainSelect

Basic set for 2 functions

Surfaces: n.a. Article Number: **15310180**



Installation examples

RainSelect
1531018X / 15355XXX

