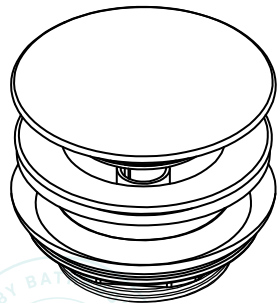


PLUS 1007 Bath Waste POP-UP 40mmx45mm

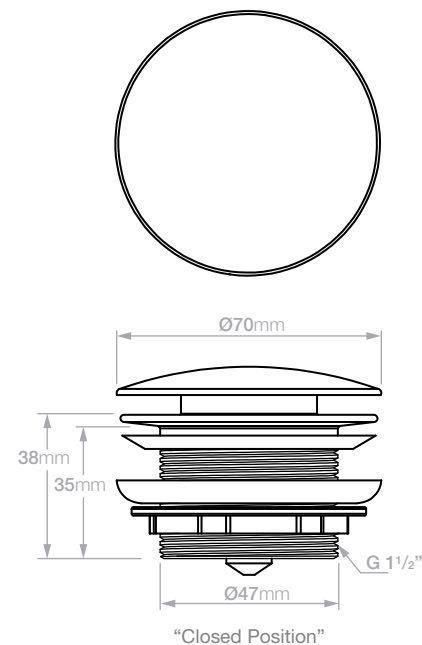
Model: TPLR1007####

(*where #### is the relevant finish code)

**Please note that not all finishes are available as a stocked product in all countries.
Additional surcharges, MOQ's and longer lead times may apply.



Base Material: Brass
Mechanism: Press to Pop-up
Plug Type: External Dome Cover
Pipe Thread Connection: G 1 1/2" (40mm)
Use: Bath Waste with thin wall base



Dimensions given are in mm. LIQUIDRed® reserves the right to alter and /or remove designs from time to time without prior notice.
This drawing is to be used for reference purposes only. E &O.E.

Copyright LIQUIDRED® 2023

South Africa - Tel: 011 3348100, Email: info@liquid-red.com, Web: www.liquid-red.com/za

Document version 010
Product version 001