



TALLEY MANUFACTURING
 9183 OLD NO. 6 HWY PO BOX 369
 SANTEE, SC 29142 803-854-5700
TALLEYRINGS.COM

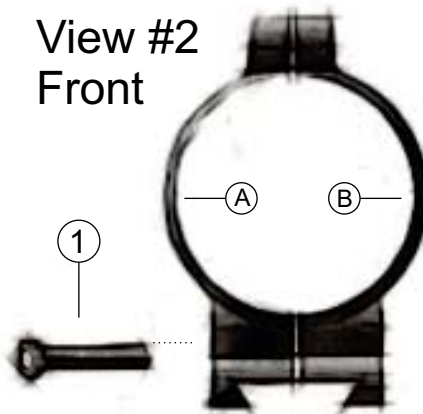
SCOPE RING ASSEMBLY INSTRUCTIONS

Assembly instructions:

1. Disassemble the scope ring.
2. Place parts (A) & (B) around scope tube and base.
3. Insert screw (1) and lightly secure scope and base.
4. Insert top screw (2).
5. Square up the scope reticle and adjust for proper eye relief.
6. Finish by alternating tightening of top and bottom screws.

KEEP ALL ASSEMBLY NUMBERS APPEARING ON THE BOTTOM OF THE RING TOGETHER

View #2
Front

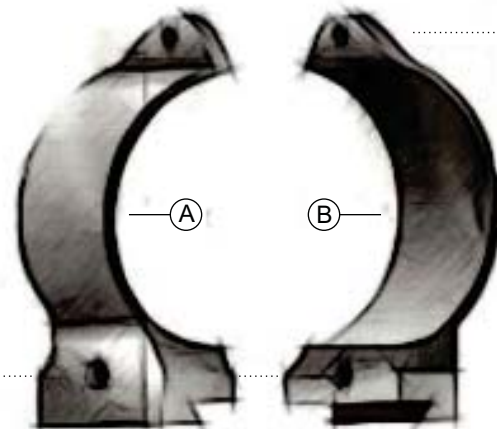


View #3
Assembled



SCREWS

No. 1.....	10/32
No. 2.....	8/40



View #1
Exploded

For Technical Assistance, please call Talley Mfg. at 803-854-5700