

# Series SEC

4SEC3094A  
3HP, 1750RPM

# BARNES®

www.cranepumps.com

## Submersible Cutter Pumps



**Series: SEC, 4SEC3094A**  
**3HP, 1750RPM, 60Hz**



### DESCRIPTION:

SUMBERSIBLE CUTTER PUMP DESIGNED FOR REDUCING SOLIDS IN SEWAGE APPLICATIONS



**WARNING:**  
CANCER AND REPRODUCTIVE HARM -  
[WWW.P65WARNINGS.CA.GOV](http://WWW.P65WARNINGS.CA.GOV)

<b>Cutting Plate</b>	ASTM A29 Grade 5140 Alloy Steel Rockwell C-42
<b>Volute</b>	Cast Iron A-48, Class 30 With Air Release Valve
<b>Impeller</b>	Design: Semi-open Monovane, Dynamically Balanced ISO G6.3 Material: Cast Iron A-48, Class 30
<b>Impeller Blade</b>	AISI 1120 Free Cutting Steel Rockwell C-76
<b>Hardware</b>	420 Stainless Steel
<b>Discharge</b>	JIS 80 Horizontal Flange
<b>Included Adapters</b>	4" Flanged Elbow: Cast Iron A-48, Class 30 4" NPT Adapter: Cast Iron A-48, Class 30 4" ANSI Horizontal Adapter: Cast Iron A-48, Class 30"
<b>Motor</b>	Design: NEMA B, Air-Filled, Squirrel Cage Induction Insulation: Class F
<b>Shaft</b>	420 Stainless Steel
<b>Starts Per Hour</b>	9 starts, with a minimum rest time of 80 seconds
<b>Max Liquid Temperature</b>	104 deg. F (40 deg. C) Continuous
<b>Motor Housing</b>	Cast Iron A-48, Class 30
<b>Bearing Seat</b>	Cast Iron A-48, Class 30
<b>Elastomers</b>	Buna-N
<b>Hardware</b>	420 Stainless Steel
<b>Lifting Hooks</b>	420 Stainless Steel
<b>Seal</b>	Design: Tandem Mechanical Material: <b>Inboard:</b> Carbon/Silicon Carbide <b>Outboard:</b> Silicon Carbide/Tungsten Carbide <b>Elastomers:</b> Buna-N <b>Hardware:</b> 300 Series Stainless Steel
<b>Sensor Cord</b>	UL Listed Cable, 18/4 AWG, SOW, 39 foot length, included with pump
<b>Power Cord</b>	UL Listed Cable, 14/4 AWG, SOW, 39 foot length, included with pump
<b>Speed</b>	1750 RPM
<b>Upper Bearing</b>	Design: Single Row, Ball, Shielded and Permanently Lubricated
<b>Lower Bearing</b>	Design: Single Row, Ball, Shielded and Permanently Lubricated
<b>Moisture Sensor</b>	Normally Open, Relay Required
<b>Temperature Sensor</b>	Normally Closed, Relay Required

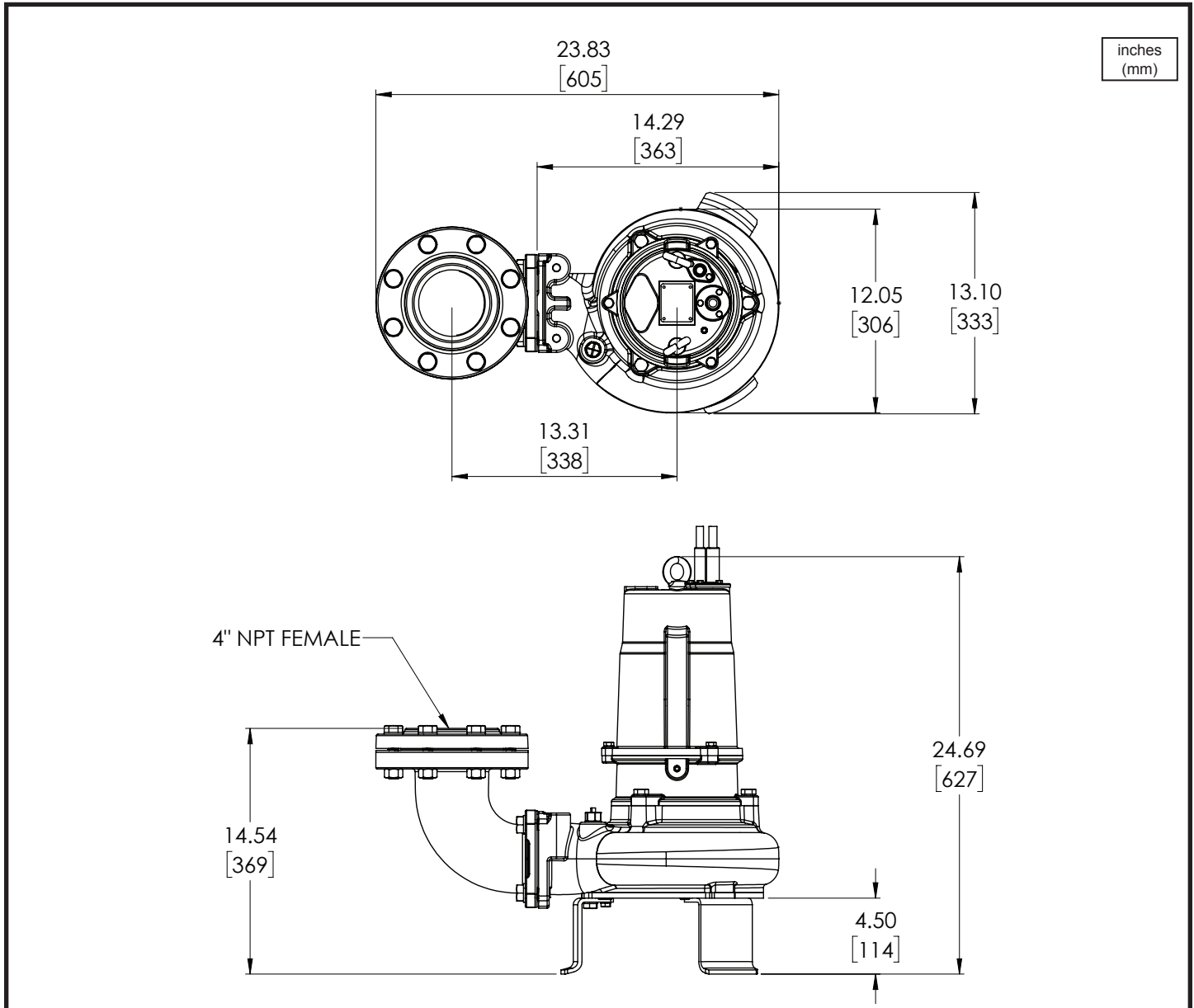
SECTION 3B  
PAGE B  
DATE 12/22

**CRANE**  
A Crane Co. Company

**PUMPS & SYSTEMS**

USA: (937) 778-8947 • Canada: (905) 457-6223 • International: (937) 615-3598

### Submersible Cutter Pumps



MODEL NO	PART NO	HP	VOLT	Ph/Hz	RPM	NEMA START CODE	INSUL. CLASS	FLA	LRA	CORD SIZE	CORD TYPE	CORD O.D. inch (mm)
4SEC3094A	148314	3	208-240	3/60	1750	K	F	8.9-8.8	60.0	14/4	SOW	.59 (15.0)

SENSOR CORD IS 18/4 SOW, .41 (10.4mm) O.D.

**IMPORTANT !**

1.) INSTALLATIONS SUCH AS DECORATIVE FOUNTAINS OR WATER FEATURES PROVIDED FOR VISUAL ENJOYMENT MUST BE INSTALLED IN ACCORDANCE WITH THE NATIONAL ELECTRIC CODE ANSI/NFPA 70 AND/OR THE AUTHORITY HAVING JURISDICTION. THIS PUMP IS NOT INTENDED FOR USE IN SWIMMING POOLS, RECREATIONAL WATER PARKS, OR INSTALLATIONS IN WHICH HUMAN CONTACT WITH PUMPED MEDIA IS A COMMON OCCURRENCE.

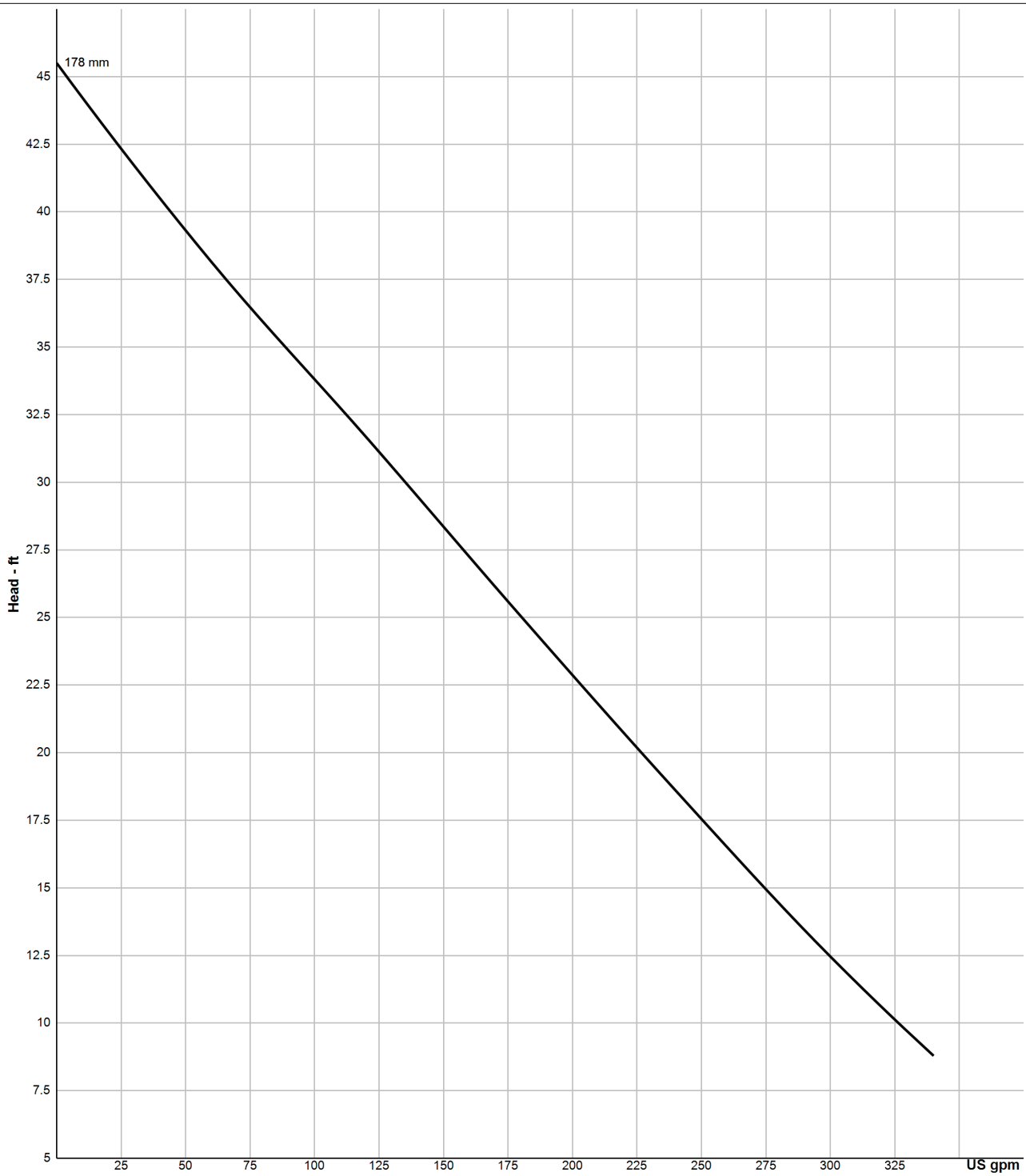
# Series SEC

4SEC3094A  
3HP, 1750RPM

# BARNES®

www.cranepumps.com

## Submersible Cutter Pumps



Testing is performed with water, specific gravity 1.0 @ 68° F @ (20°C), other fluids may vary performance

SECTION 3B  
PAGE D  
DATE 12/22

**CRANE**  
A Crane Co. Company

**PUMPS & SYSTEMS**

USA: (937) 778-8947 • Canada: (905) 457-6223 • International: (937) 615-3598