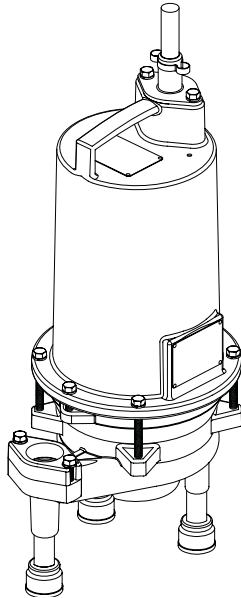


Submersible Grinder Pumps



Series: OGVF & OGVH
2HP, 3450RPM, 60Hz
High-Flow and High Head



CSA 108 - File No. LR16567
UL 778

Sample Specifications: Section 3 Page 11.

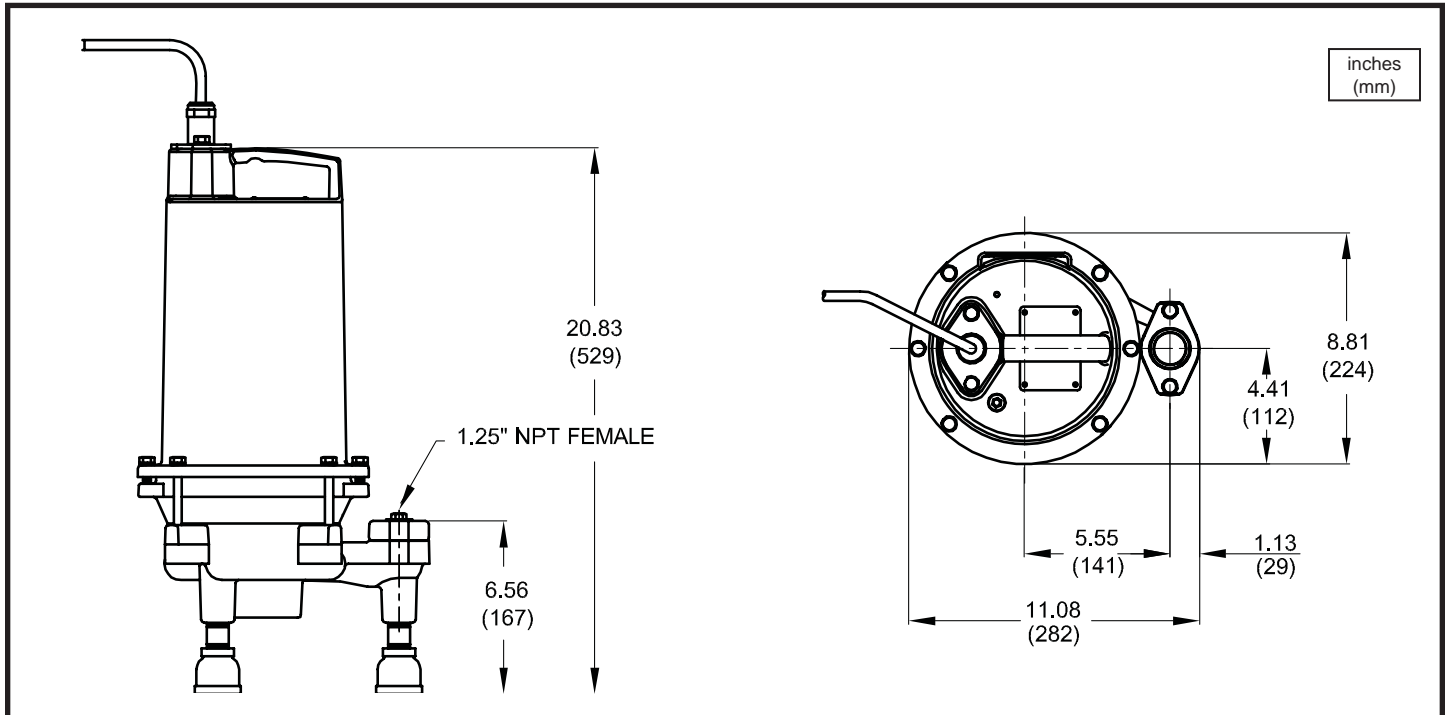
DESCRIPTION:

THE GRINDER PUMP IS DESIGNED TO REDUCE DOMESTIC, COMMERCIAL, INSTITUTIONAL AND LIGHT INDUSTRIAL SEWAGE TO A FINELY GROUND SLURRY.

Specifications:

DISCHARGE	1¼" NPT, Vertical, Bolt-on Flange
LIQUID TEMPERATURE	160°F (71°C) Intermittent
VOLUTE	Cast Iron ASTM A-48, Class 30
MOTOR HOUSING	Cast Iron ASTM A-48, Class 30
SEAL PLATE	Cast Iron ASTM A-48, Class 30
IMPELLER: Design	12 Vane, Vortex, With Pump Out Vanes On Back Side. Dynamically Balanced,
	ISO G6.3.
	<i>Material</i>
	Cast Iron
SHREDDING RING	Hardened 440C Stainless Steel Rockwell® C-55.
CUTTER	Hardened 440C Stainless Steel, Rockwell® C-55.
SHAFT	416 Stainless Steel
SQUARE RINGS	Buna-N
HARDWARE	300 Series Stainless Steel
PAINT	Air Dry Enamel.
SEAL: Design	Single Mechanical
	<i>Material</i>
	Rotating Faces - Silicon-Carbide
	Stationary Faces - Silicon-Carbide
	Elastomer - Buna-N
	Hardware - 300 Series Stainless
CORD ENTRY	30 ft. (9.1 m) Std. Cord. Custom Molded Quick Connect, for Sealing and Strain Relief
CORD Manual	CSA/UL Approved 12/3 Type SOW
UPPER BEARING:	
	<i>Design</i>
	Single Row, Ball, Oil Lubricated
	<i>Load</i>
	Radial
LOWER BEARING:	
	<i>Design</i>
	Single Row, Ball, Oil Lubrication:
	<i>Load</i>
	Radial & Thrust
MOTOR: Design	NEMA L-Single Phase Torque Curve. Oil-Filled, Squirrel Cage Induction.
	<i>Insulation</i>
	Class F.
SINGLE PHASE	Capacitor Start/Capacitor Run.
OPTIONAL EQUIPMENT	Seal Material, Impeller Trims, Cord Length, Moveable Fitting
RECOMMENDED:	
	<i>Accessories</i>
	Break Away Fitting (BAF)
	Check Valve
	Control Panel
	<i>Seal Kit PN</i>
	108303

Submersible Grinder Pumps



MODEL NO	PART NO	HP	VOLT	PH/Hz	RPM (Nom)	NEMA START CODE	FULL LOAD AMPS	LOCKED ROTOR AMPS	CORD SIZE	CORD TYPE	CORD O.D. ± .02 (.5) in (mm)
HIGH-FLOW											
OGVF2022L	110651	2	240	1 / 60	3450	H	15.0	53.8	12/3	SOW	.61 (15.5)
HIGH-HEAD											
OGVH2022L	110649	2	240	1 / 60	3450	H	15.0	53.8	12/3	SOW	.61 (15.5)

IMPORTANT !

- 1.) PUMP MAY BE OPERATED "DRY" FOR EXTENDED PERIODS WITHOUT DAMAGE TO MOTOR AND/OR SEALS.
- 2.) THIS PUMP IS APPROPRIATE FOR THOSE APPLICATIONS SPECIFIED AS CLASS I DIVISION II HAZARDOUS LOCATIONS.
- 3.) THIS PUMP IS NOT APPROPRIATE FOR THOSE APPLICATIONS SPECIFIED AS CLASS I DIVISION I HAZARDOUS LOCATIONS.
- 4.) INSTALLATIONS SUCH AS DECORATIVE FOUNTAINS OR WATER FEATURES PROVIDED FOR VISUAL ENJOYMENT MUST BE INSTALLED IN ACCORDANCE WITH THE NATIONAL ELECTRIC CODE ANSI/NFPA 70 AND/OR THE AUTHORITY HAVING JURISDICTION. THIS PUMP IS NOT INTENDED FOR USE IN SWIMMING POOLS, RECREATIONAL WATER PARKS, OR INSTALLATIONS IN WHICH HUMAN CONTACT WITH PUMPED MEDIA IS A COMMON OCCURRENCE.

Series OGVF

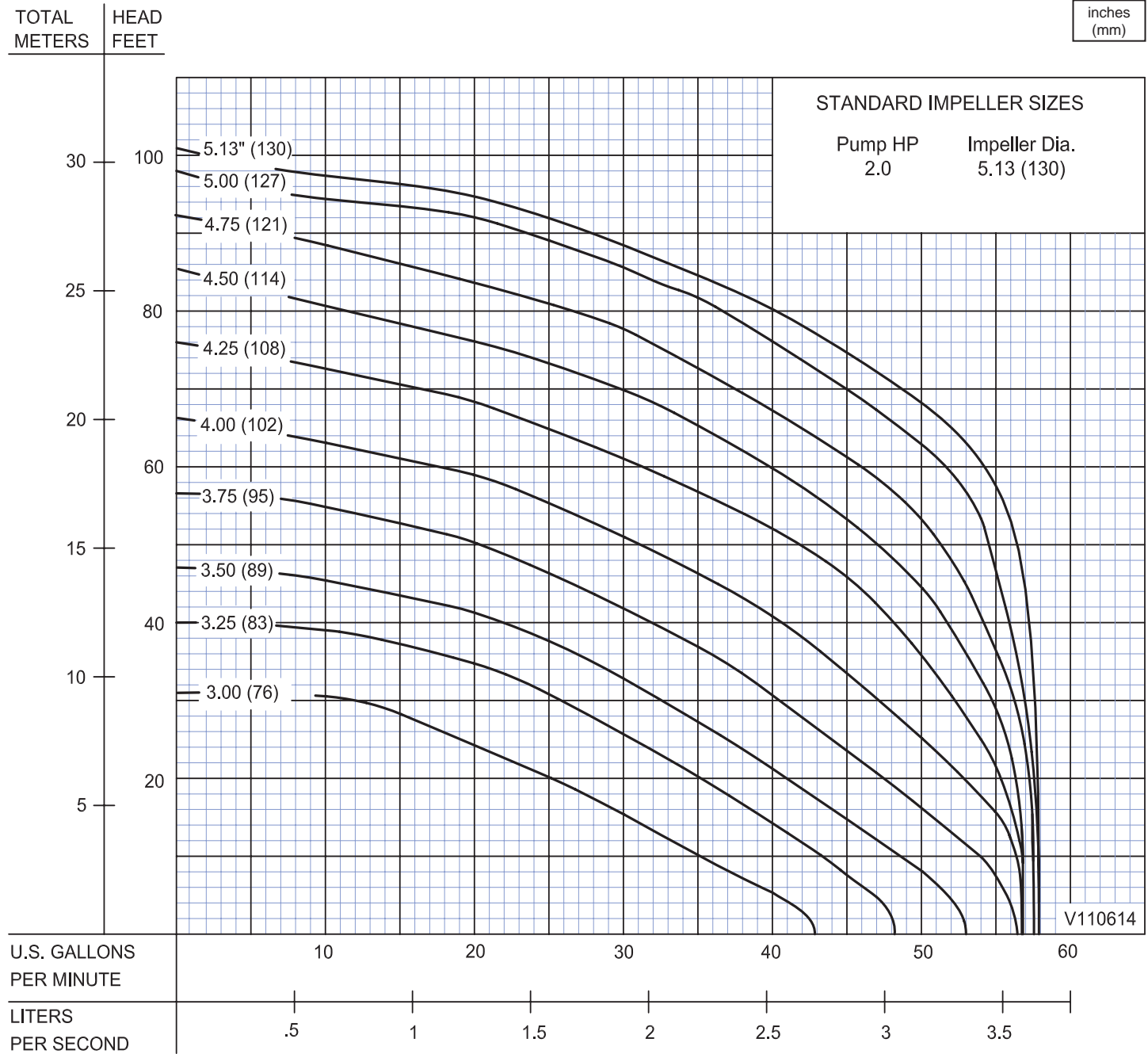
Performance Curve

2HP, 3450RPM, 60Hz, High-Flow

BARNES®

www.cranepumps.com

Submersible Grinder Pumps



Testing is performed with water, specific gravity 1.0 @ 68° F @ (20°C), other fluids may vary performance

SECTION 3B
 PAGE 10
 DATE 7/09

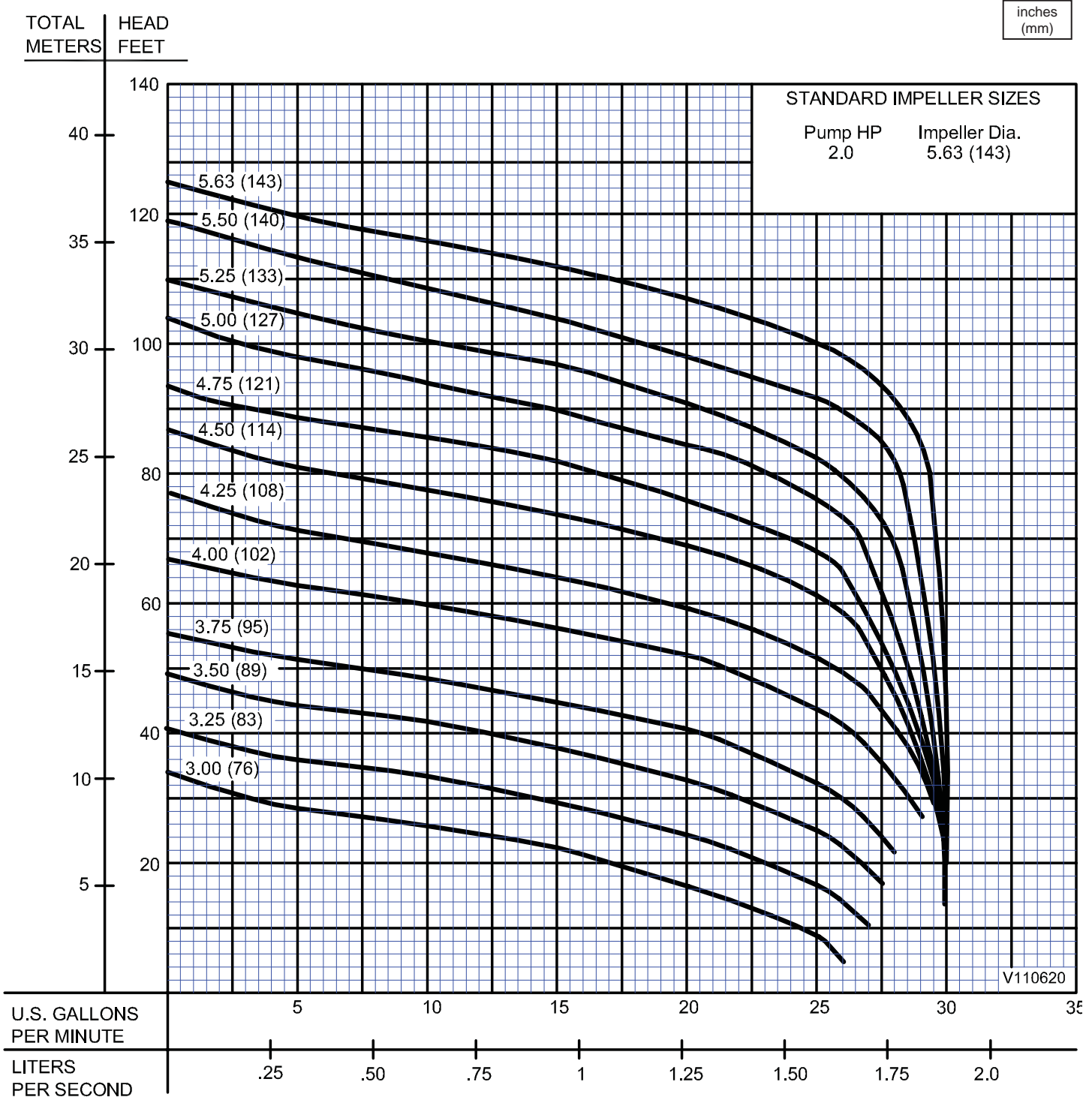
CRANE®

A Crane Co. Company

PUMPS & SYSTEMS

USA: (937) 778-8947 • Canada: (905) 457-6223 • International: (937) 615-3598

Submersible Grinder Pumps



Testing is performed with water, specific gravity 1.0 @ 68° F @ (20°C), other fluids may vary performance