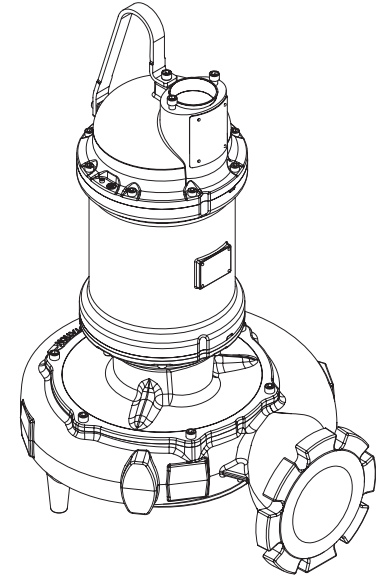


Solids Handling Submersible Pumps

Specifications:

DISCHARGE	6", 125 lb. Horizontal Flange Slotted to accommodate 150mm ISO Flanges
LIQUID TEMPERATURE	104°F (40°C) Continuous
VOLUTE	Cast Iron ASTM A-48, Class 30
WEAR RING	C954 Lead-Free Bronze
MOTOR HOUSING	Cast Iron ASTM A-48, Class 30
SEAL PLATE	Cast Iron ASTM A-48, Class 30
IMPELLER:	
<i>Design</i>	Enclosed Monovane, With Pump Out Vaness on Back Side. Dynamically Balanced ISO G6.3
<i>Material</i>	Ductile Iron ASTM A-536, 65-45-12
SHAFT	416 Stainless Steel
"O" RINGS	Buna-N
HARDWARE	300 Series Stainless Steel
LIFTING BAIL	300 Series Stainless Steel
PAINT	Epoxy Dupont Corlar® Amine Epoxy, Two Coats
SEAL: <i>Design</i>	Tandem Mechanical, Oil Filled Reservoir.
<i>Material: Inboard</i>	Rotating Faces - Carbon Stationary Faces - Ceramic
<i>Material: Outboard</i>	Rotating Faces - Silicon Carbide Stationary Faces - Silicon Carbide Elastomer - Buna-N
Hardware	300 Series Stainless
CORD ENTRY	Custom Molded, Quick Connected for Sealing and Strain Relief
POWER CORD	CSA Certified Submersible Power Cable 2000V - Ordered Separately
SPEED	1750 & 1150 RPM (Nominal)
UPPER BEARING:	
<i>Design</i>	Single Row, Ball, Oil Lubricated
<i>Load</i>	Radial
LOWER BEARING:	
<i>Design</i>	Double Row, Ball, Oil Lubricated
<i>Load</i>	Radial & Thrust
MOTOR: <i>Design</i>	NEMA B Three Phase Torque Curve. Oil-Filled, Squirrel Cage Induction, Inverter Duty rated per NEMA MG1
<i>Insulation</i>	Class H, Varnish & Magnet Wire
THREE PHASE	Tri-voltage 208-230/460V up to 15HP, Dual Voltage 230/460V up to 20 HP, 460V only 25 & 30 HP & 575V; 7.5 thru 30HP. Requires Overload Protection to be Included in control panel.
MOISTURE SENSOR	Normally Open (N/O), Requires Relay in Control Panel
TEMPERATURE SENSOR	Three Normally Closed (N/C). To be wired in series with contactor control circuit
OPTIONAL EQUIPMENT	Seal Material, Impeller Trims, Cord Length, Leg Kit (p/n 125506)
MARKINGS	CSA, FM
WEIGHT	642 lbs (291 Kg)
NOISE EMISSION MAX	In-Air 64 dB-A
SUBMERGENCE	Max Depth 66ft (20m)
RECOMMENDED:	
<i>Accessories</i>	Break Away Fitting (BAF) Check Valve Control Panel
<i>Seal & Gasket Kit PN</i>	132120A
<i>Bearing Kit PN</i>	132118A
<i>Overhaul Kit PN</i>	132119



Series: 6XSHM
7.5 - 30HP, 1750RPM,
1150RPM, 60Hz

Explosion Proof, Class 1,
Division 1, Groups C & D, T4



Canadian Standards Association
File No. LR16567-25



This product may be covered by one
or more of the following patents and
other patent(s) pending:
US Patent 7,931,473

Sample Specifications: Section 0.1F Page G.

DESCRIPTION:

SUBMERSIBLE NON-CLOG SEWAGE
PUMP DESIGNED FOR RAW SEWAGE
APPLICATIONS.

Series 6XSHM

28 Frame Driver
3" Spherical Solids Handling

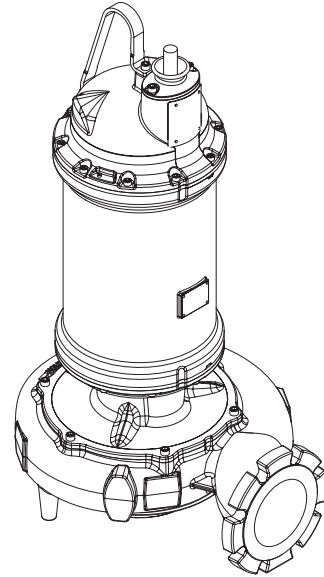
BARNES®

www.cranepumps.com

Solids Handling Submersible Pumps

Specifications:

DISCHARGE	6", 125 lb. Horizontal Flange Slotted to accommodate 150mm ISO Flanges
LIQUID TEMPERATURE	104°F (40°C) Continuous
VOLUTE	Cast Iron ASTM A-48, Class 30
WEAR RING	C954 Lead-Free Bronze
MOTOR HOUSING	Cast Iron ASTM A-48, Class 30
SEAL PLATE	Ductile Iron ASTM A-536, 65-45-12
IMPELLER:	
<i>Design</i>	Enclosed Monovane, With Pump Out Vaness on Back Side. Dynamically Balanced ISO G6.3
<i>Material</i>	Ductile Iron ASTM A-536, 65-45-12
SHAFT	416 Stainless Steel
"O" RINGS	Buna-N
HARDWARE	300 Series Stainless Steel
LIFTING BAIL	300 Series Stainless Steel
PAINT	Epoxy Dupont Corlar® Amine Epoxy, Two Coats
SEAL:	
<i>Design</i>	Tandem Mechanical, Oil Filled Reservoir.
<i>Material: Inboard</i>	Rotating Faces - Carbon Stationary Faces - Ceramic
<i>Material: Outboard</i>	Rotating Faces - Silicon Carbide Stationary Faces - Silicon Carbide Elastomer - Buna-N Hardware - 300 Series Stainless
CORD ENTRY	50 ft. (12.1m) Cord. Dual Pressure Grommet for Sealing & Stain Relief
POWER CORD	CSA Certified Submersible Power Cable 2000V
SPEED	1750 & 1150RPM (Nominal)
UPPER BEARING:	
<i>Design</i>	Single Row, Ball, Oil Lubricated
<i>Load</i>	Radial
LOWER BEARING:	
<i>Design</i>	Double Row, Ball, Oil Lubricated
<i>Load</i>	Radial & Thrust
MOTOR:	
<i>Design</i>	NEMA B Three Phase Torque Curve. Oil-Filled, Squirrel Cage Induction, Inverter Duty rated per NEMA MG1
<i>Insulation</i>	Class H Varnish & Magnet Wire
THREE PHASE	208V 20HP, 208/230V 25 & 30HP, 230V 40HP, 460 & 575V 40, 50 & 60HP. Requires Overload Protection to be Included in control panel.
MOISTURE SENSOR	Normally Open (N/O), Requires Relay in Control Panel
TEMPERATURE SENSOR	Three Normally Closed (N/C). To be wired in series with connector control circuit
OPTIONAL EQUIPMENT	Seal Material, Impeller Trims, Cord Length, Leg Kit (p/n 125506)
MARKINGS	CSA, FM
WEIGHT	880 lbs (386 Kg)
NOISE EMISSION MAX	In-Air 64 dB-A
SUBMERGENCE	Max Depth 66ft (20m)
RECOMMENDED:	
<i>Accessories</i>	Break Away Fitting (BAF) Check Valve Control Panel
<i>Seal & Gasket Kit PN</i>	132120B
<i>Bearing Kit PN</i>	132118B
<i>Overhaul Kit PN</i>	132119



Series: 6XSHM
20 - 60HP, 1750RPM,
1150RPM, 60Hz

Explosion Proof, Class 1,
Division 1, Groups C & D, T4



Canadian Standards Association
File No. LR16567-25



Sample Specifications: Section 0.1F Page G.

DESCRIPTION:

SUBMERSIBLE NON-CLOG SEWAGE
PUMP DESIGNED FOR RAW SEWAGE
APPLICATIONS.

SECTION 0.1F
PAGE 10
DATE 2/12

CRANE
®

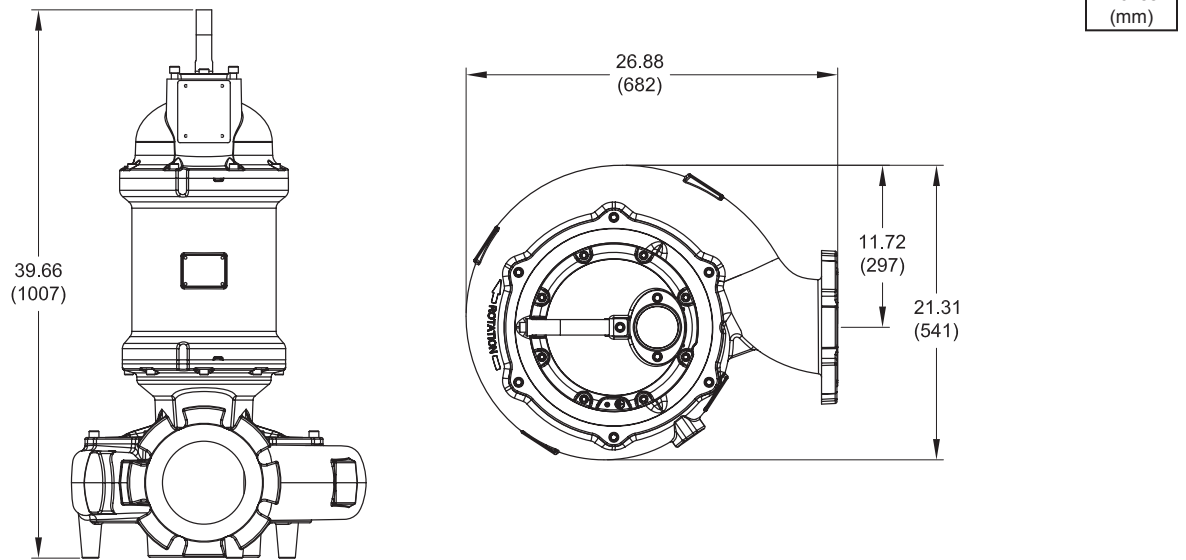
A Crane Co. Company

PUMPS & SYSTEMS

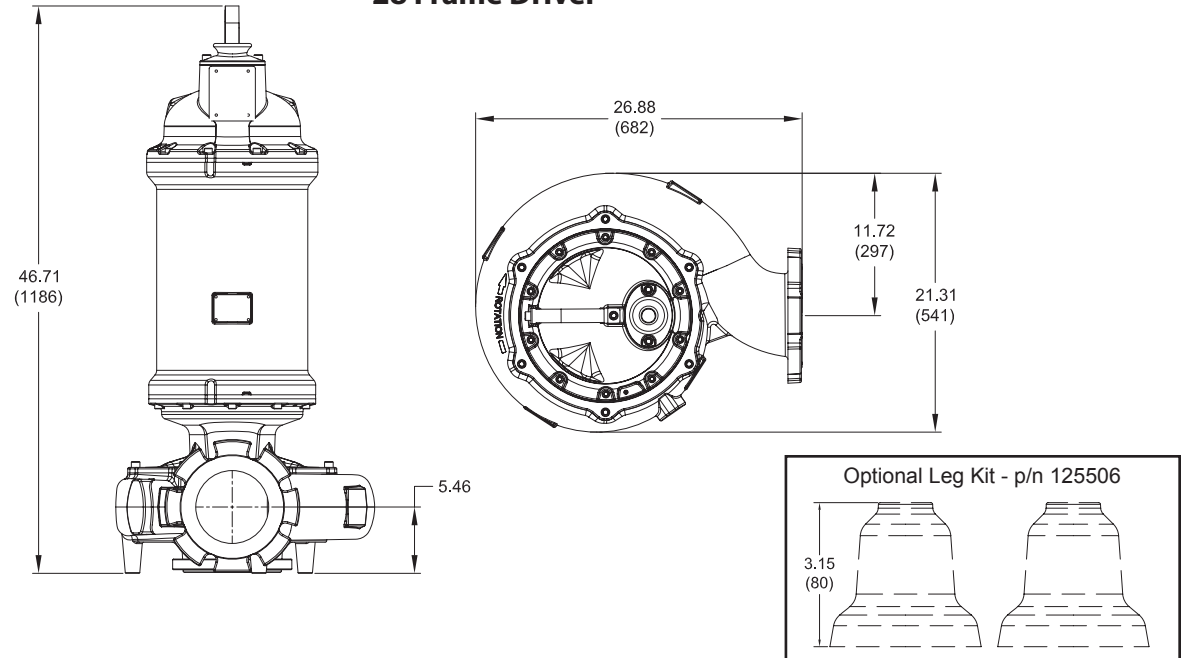
USA: (937) 778-8947 • Canada: (905) 457-6223 • International: (937) 615-3598

Solids Handling Submersible Pumps

21 Frame Driver



28 Frame Driver



IMPORTANT !

- 1.) MOISTURE AND TEMPERATURE SENSORS MUST BE CONNECTED TO VALIDATE THE CSA AND FM LISTING.
- 2.) A SPECIAL MOISTURE SENSOR RELAY IS REQUIRED IN THE CONTROL PANEL FOR PROPER OPERATION OF THE MOISTURE SENSORS. CONTACT BARNES PUMPS FOR INFORMATION CONCERNING MOISTURE SENSING RELAYS FOR CUSTOMER SUPPLIED CONTROL PANELS.
- 3.) THESE PUMPS ARE CSA AND FM LISTED FOR PUMPING WATER AND WASTEWATER. **DO NOT USE TO PUMP FLAMMABLE LIQUIDS.** NOT SUITABLE FOR ENVIRONMENTS CONTAINING GASOLINE OR HEXANE.
- 4.) INSTALLATIONS SUCH AS DECORATIVE FOUNTAINS OR WATER FEATURES PROVIDED FOR VISUAL ENJOYMENT MUST BE INSTALLED IN ACCORDANCE WITH THE NATIONAL ELECTRIC CODE ANSI/NFPA 70 AND/OR THE AUTHORITY HAVING JURISDICTION. THIS PUMP IS NOT INTENDED FOR USE IN SWIMMING POOLS, RECREATIONAL WATER PARKS, OR INSTALLATIONS IN WHICH HUMAN CONTACT WITH PUMPED MEDIA IS A COMMON OCCURRENCE.
- 5.) A **NON-SPARKING** BREAKAWAY FITTING MUST BE USED TO VALIDATE THE EXPLOSION PROOF LISTING.

Series 6XSHM

3" Spherical Solids Handling



www.cranepumps.com

Solids Handling Submersible Pumps

MODEL NO	PART NO	HP	VOLT	PH	Hz	RPM (Nom)	NEMA START CODE	FULL LOAD AMPS	1.2 SERVICE FACTOR AMPS	LOCKED ROTOR AMPS	DRIVER FRAME	CORD P/N *	CORD SIZE	CORD NOTES	
6XSHMN150N4	132612	15.0	208	3	60	1750	E	51.8	59.0	206.6	21	125498	8/4 - 18/4	SOLD SEPARATELY	
			230			54.3		125497							
			460			27.2		103.3							
	6XSHMN15054	132613	15.0	575	3	60	1750	E	18.7	21.7	82.6	21	125497	12/4 - 18/4	SOLD SEPARATELY
				208			74.6		323.0						
				460			59.0		383.9						
	6XSHMN20064	132614	20.0	208	3	60	1750	G	63.0	74.6	323.0	28	130906	2/4 - 18/4	INCLUDED WITH PUMP
				230			59.0		383.9						
				460			29.9		153.5						
	6XSHMN20084	132615	20.0	208	3	60	1750	J	21.5	23.9	153.5	21	125497	12/4 - 18/4	SOLD SEPARATELY
				230			93.4		359.0						
				460			82.3		191.9						
6XSHMN20054	132616	20.0	575	3	60	1750	J	33.2	38.9	153.5	21	125497	12/4 - 18/4	SOLD SEPARATELY	
			208			31.1		153.5							
			230			31.1		153.5							
6XSHMN25094	132617	25.0	208	3	60	1750	G	26.6	31.1	153.5	21	125497	12/4 - 18/4	SOLD SEPARATELY	
			230			29.9		153.5							
			460			31.1		153.5							
6XSHMN25044	132618	25.0	460	3	60	1750	G	24.9	29.6	137.6	21	125496	12/4 - 18/4	SOLD SEPARATELY	
			208			27.6		68.8							
			230			13.8		55.0							
6XSHMN25054	132619	25.0	575	3	60	1750	G	9.6	11.0	55.0	21	125497	12/4 - 18/4	SOLD SEPARATELY	
			208			11.0		55.0							
			460			11.0		55.0							
6XSHMN75N6	132630	7.5	208	3	60	1150	J	24.9	29.6	137.6	21	125496	12/4 - 18/4	SOLD SEPARATELY	
			230			27.6		68.8							
			460			13.8		55.0							
6XSHMN7556	132631	7.5	575	3	60	1150	J	9.6	11.0	55.0	21	125497	12/4 - 18/4	SOLD SEPARATELY	
			208			11.0		55.0							
			460			11.0		55.0							

XSHMN Pump

Moisture and Temperature sensor leads are integral to power cord.

Pump rated for operation at ± 10% voltage at motor.

* Cord Suffix: XC - 30 Feet, XF - 50 Feet, XJ - 75 Feet, or XL - 100 Feet

SECTION 0.1F
PAGE 12
DATE 5/13



PUMPS & SYSTEMS

A Crane Co. Company

USA: (937) 778-8947 • Canada: (905) 457-6223 • International: (937) 615-3598

Solids Handling Submersible Pumps

MODEL NO	PART NO	HP	VOLT	PH	Hz	RPM (Nom)	NEMA START CODE	FULL LOAD AMPS	1.2 SERVICE FACTOR AMPS	LOCKED ROTOR AMPS	DRIVER FRAME	CORD P/N *	CORD SIZE	CORD NOTES
6XSHMH30094	132620	30.0	208	3	60	1750	E	93.4	116.9	359.0	28	130906	2/4 - 18/4	INCLUDED WITH PUMP
			82.3					98.7						
	132621	30.0	460	3	60	1750	F	38.9	45.9	191.9	21	125499	8/4 - 18/4	SOLD SEPARATELY
	132622	30.0	575	3	60	1750	F	106.0	126.4	486.0	28	130906	2/4 - 18/4	INCLUDED WITH PUMP
	132624	40.0	460	3	60	1750	E	42.4	50.6	194.4	28	130908	8/4 - 18/4	INCLUDED WITH PUMP
	132803	50.0	460	3	60	1750	F	53.7	63.2	271.2	28	130907	6/4 - 18/4	INCLUDED WITH PUMP
	132804	50.0	575	3	60	1750	F	32.9	41.0	137.6	21	125498	8/4 - 18/4	SOLD SEPARATELY
6XSHMH100N6	132632	10.0	208	3	60	1150	F	15.1	17.9	68.8	21	125497	12/4 - 18/4	SOLD SEPARATELY
			230											
6XSHMH10056	132633	10.0	575	3	60	1150	F	12.1	14.3	55.0	21	125497	12/4 - 18/4	SOLD SEPARATELY
			208											
6XSHMH150N6	132805	15.0	208	3	60	1150	H	44.1	51.4	248.6	21	125498	8/4 - 18/4	SOLD SEPARATELY
			230											
6XSHMH15056	132806	15.0	575	3	60	1150	H	22.0	25.7	124.3	21	125497	12/4 - 18/4	SOLD SEPARATELY
			17.6											

XSHMH Pump

Moisture and Temperature sensor leads are integral to power cord.

Pump rated for operation at ± 10% voltage at motor.

* Cord Suffix: XC - 30 Feet, XF - 50 Feet, XJ - 75 Feet, or XL - 100 Feet

Series 6XSHM

3" Spherical Solids Handling



www.cranepumps.com

Solids Handling Submersible Pumps

MODEL NO	PART NO	HP	VOLT	PH	Hz	RPM (Nom)	NEMA START CODE	FULL LOAD AMPS	1-2 SERVICE FACTOR AMPS	LOCKED ROTOR AMPS	DRIVER FRAME	CORD P/N *	CORD SIZE	CORD NOTES
6XSHMJ50044	132626	50.0	460	3	60	1750	F	67.1	79.0	339.0	28	130907	6/4 - 18/4	INCLUDED WITH PUMP
6XSHMJ50054	132627	50.0	575	3	60	1750	F	53.7	63.2	271.2	28	130906	2/4 - 18/4	INCLUDED WITH PUMP
6XSHMJ60044	132628	60.0	460	3	60	1750	E	79.0	95.5	339.0	28	130907	6/4 - 18/4	INCLUDED WITH PUMP
6XSHMJ60054	132629	60.0	575	3	60	1750	E	63.2	76.4	271.2	28	130907	6/4 - 18/4	INCLUDED WITH PUMP
XSHMJ Pump														
6XSHMJ150N6	132634	15.0	208 230	3	60	1150	H	47.0 44.1	56.8 51.4	248.6	21	125498	8/4 - 18/4	SOLD SEPARATELY
6XSHMJ150S6	132635	15.0	460 575	3	60	1150	H	22.0 17.6	25.7 20.6	124.3 99.4	21	125497 125497	12/4 - 18/4 12/4 - 18/4	SOLD SEPARATELY
6XSHMJ20096	132636	20.0	208 230	3	60	1150	H	60.3 57.2	71.5 69.8	354.0	28	130907	6/4 - 18/4	INCLUDED WITH PUMP
6XSHMJ20046	132637	20.0	460	3	60	1150	E	28.6	34.9	248.6	21	125499	8/4 - 18/4	SOLD SEPARATELY
6XSHMJ20056	132638	20.0	575	3	60	1150	E	22.9	27.9	99.4	21	125497	12/4 - 18/4	SOLD SEPARATELY
6XSHMJ25096	132639	25.0	208 230	3	60	1150	G	75.2 70.8	90.8 82.6	354.0	28	130906	2/4 - 18/4	INCLUDED WITH PUMP
6XSHMJ25046	132640	25.0	460	3	60	1150	G	35.4	41.3	177.0	28	130908	8/4 - 18/4	INCLUDED WITH PUMP
6XSHMJ25056	132641	25.0	575	3	60	1150	G	28.3	33.0	141.6	28	130907	8/4 - 18/4	INCLUDED WITH PUMP

Moisture and Temperature sensor leads are integral to power cord.

Pump rated for operation at ± 10% voltage at motor.

* Cord Suffix: XC - 30 Feet, XF - 50 Feet, XJ - 75 Feet, or XL - 100 Feet

SECTION 0.1F
PAGE 14
DATE 5/12

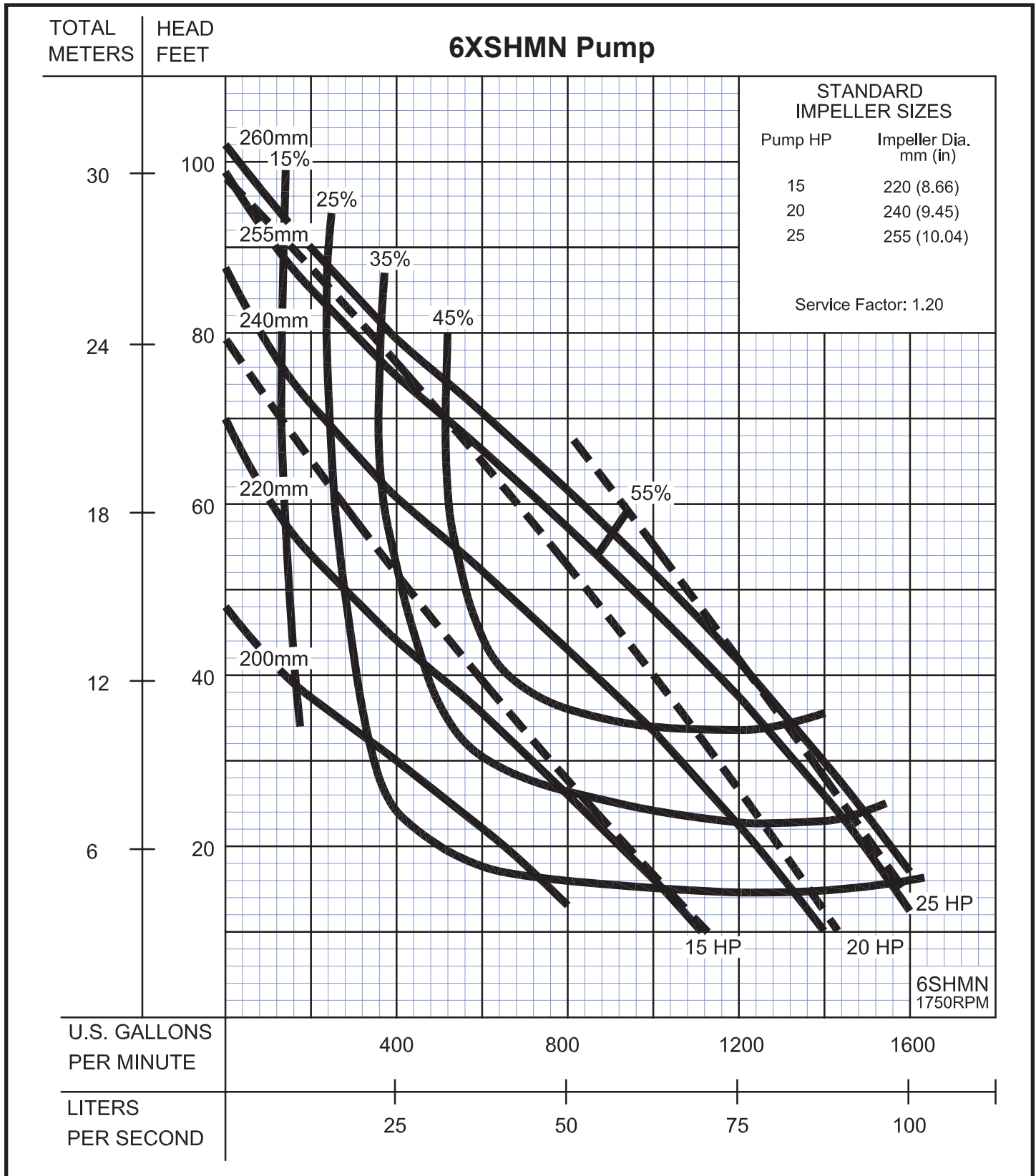


PUMPS & SYSTEMS

A Crane Co. Company

USA: (937) 778-8947 • Canada: (905) 457-6223 • International: (937) 615-3598

Solids Handling Submersible Pumps



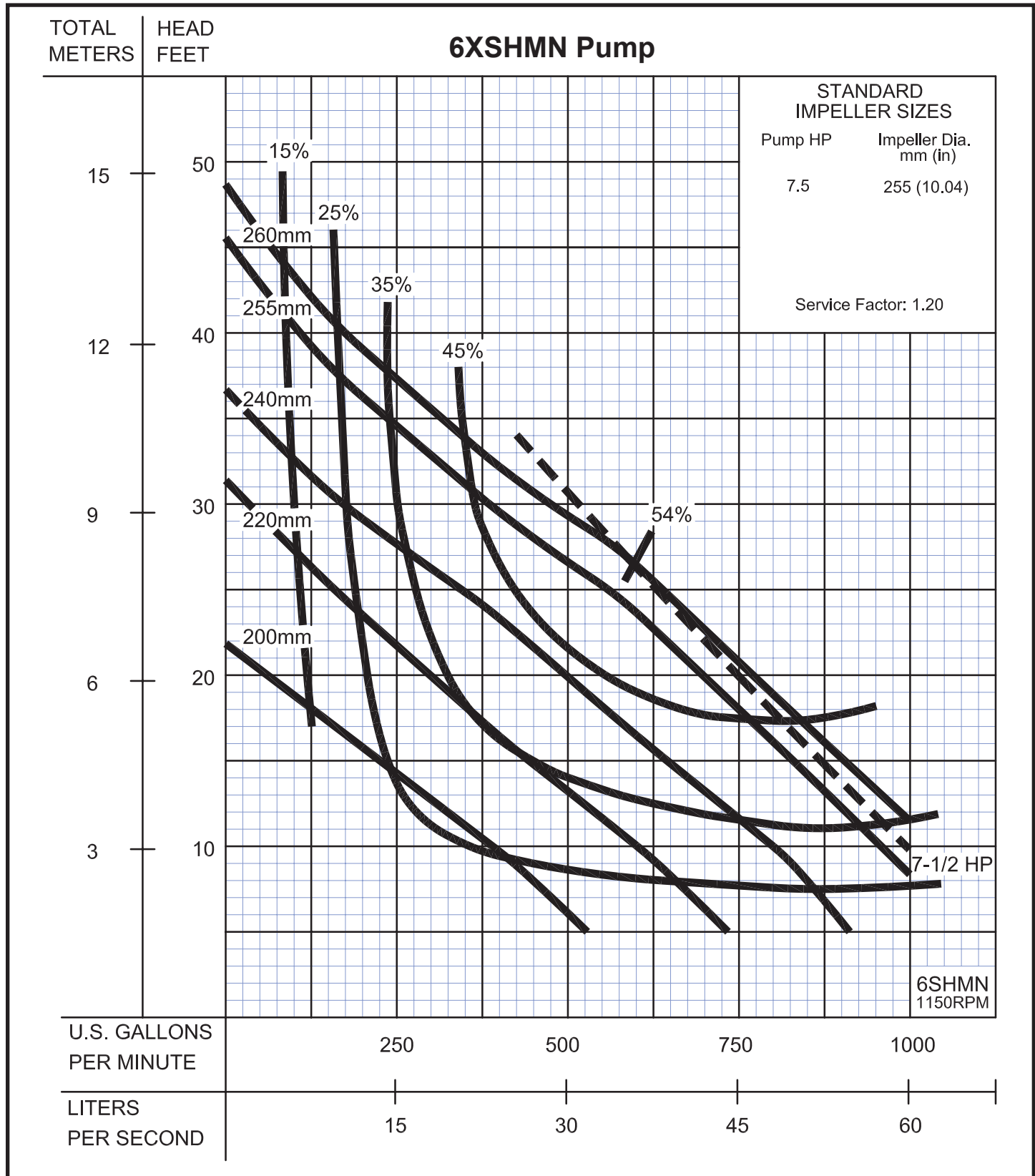
Series 6XSHM

Performance Curve
7.5HP, 1150RPM, 60Hz

BARNES®

www.cranepumps.com

Solids Handling Submersible Pumps



SECTION 0.1F
PAGE 16
DATE 2/12

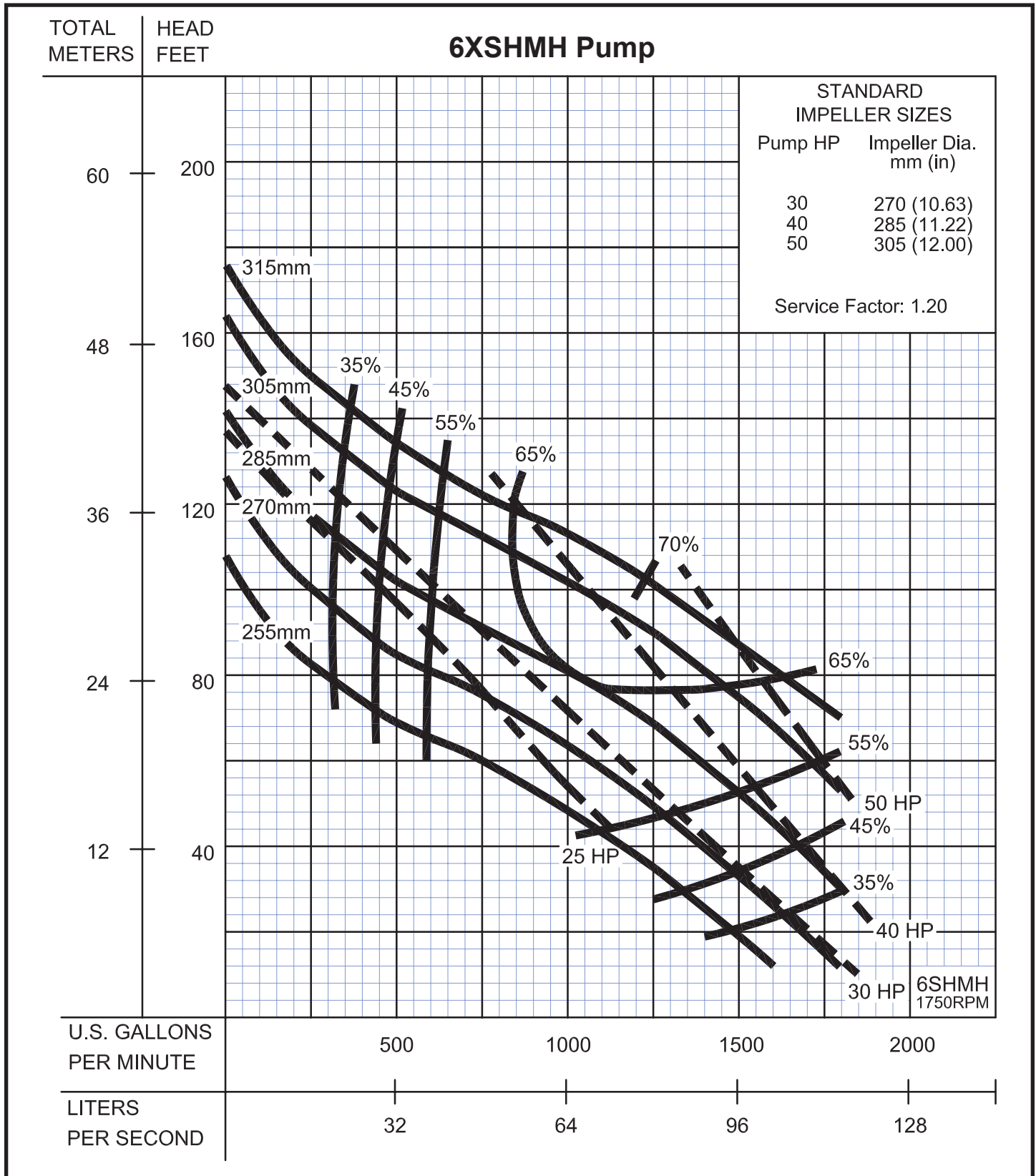
CRANE®

A Crane Co. Company

PUMPS & SYSTEMS

USA: (937) 778-8947 • Canada: (905) 457-6223 • International: (937) 615-3598

Solids Handling Submersible Pumps



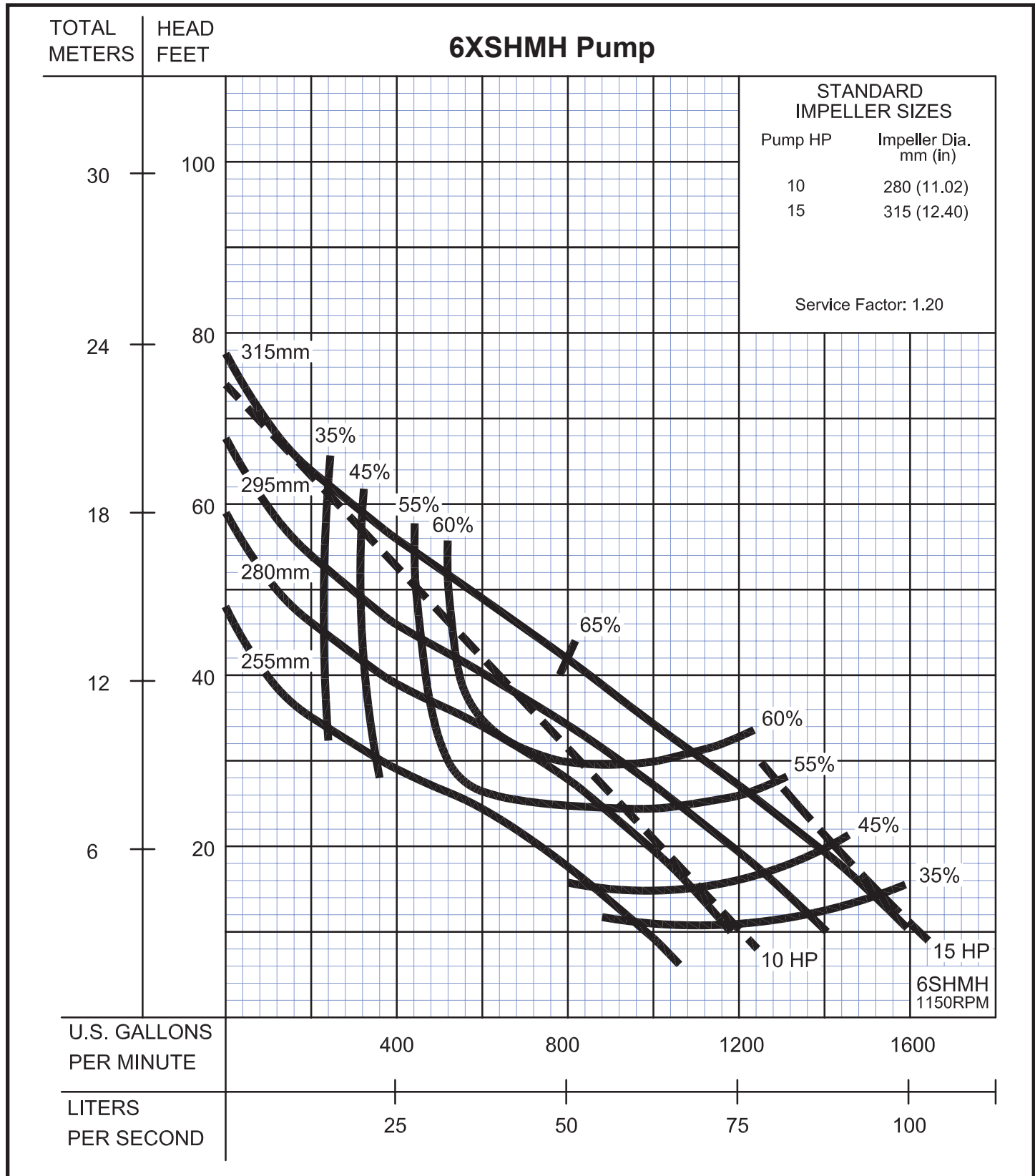
Series 6XSHM

Performance Curve
10 - 15HP, 1150RPM, 60Hz

BARNES®

www.cranepumps.com

Solids Handling Submersible Pumps



SECTION 0.1F
PAGE 18
DATE 2/12

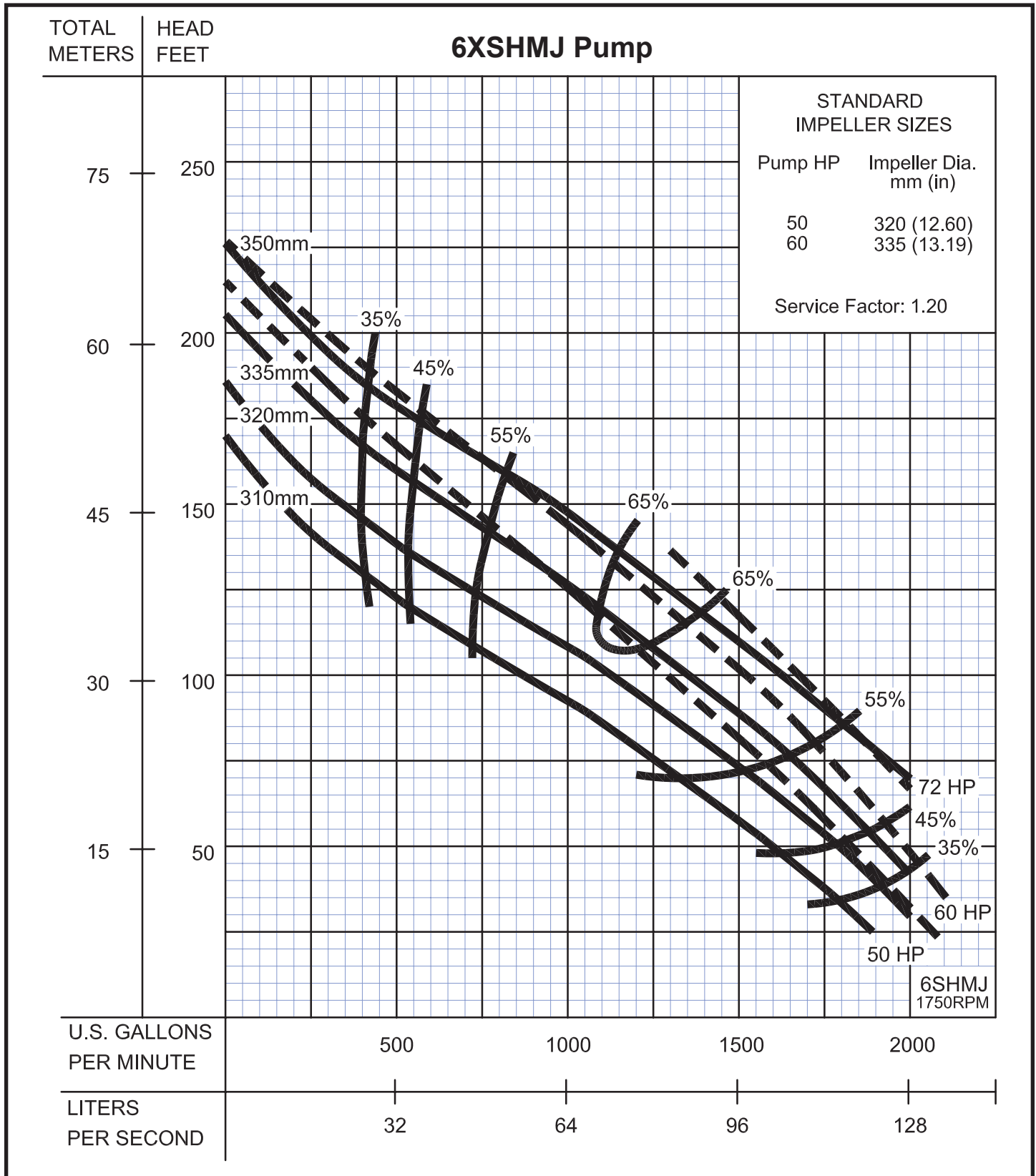
CRANE
A Crane Co. Company

PUMPS & SYSTEMS

A Crane Co. Company

USA: (937) 778-8947 • Canada: (905) 457-6223 • International: (937) 615-3598

Solids Handling Submersible Pumps



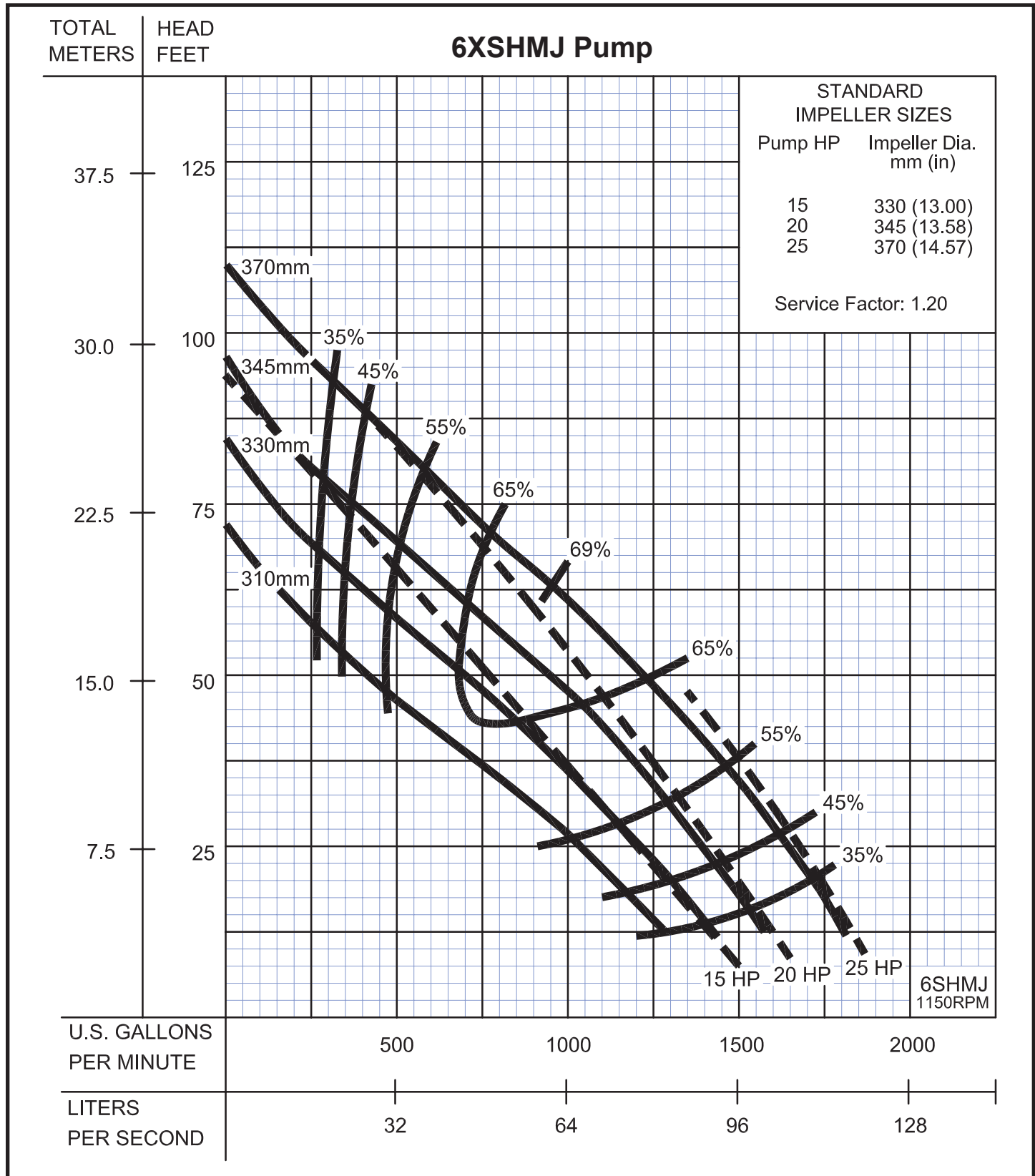
Series 6XSHM

Performance Curve
15 - 25HP, 1150RPM, 60Hz

BARNES®

www.cranepumps.com

Solids Handling Submersible Pumps



SECTION 0.1F
PAGE 20
DATE 2/12

CRANE®

A Crane Co. Company

PUMPS & SYSTEMS

USA: (937) 778-8947 • Canada: (905) 457-6223 • International: (937) 615-3598