

# NEW UBW SERIES

## MOLDED CASE CIRCUIT BREAKERS

WEG is pleased to introduce the UBW line of Molded Case Circuit Breakers. The UBW series has 7 frames sizes ranging from 15 amps to 2500 amps and a broad offering of KAIC ratings. The UBW line offers the quality, reliability and uncompromising protection that you have come to expect from WEG.

**INTRODUCING**



### FEATURES

- Broad product offering up to 2500 Amps
- Multiple SCCR Ratings up to 100 KIAC Ratings
- Maintenance mode for superior Arc Flash Protection
- Field or Factory installed options
- Optional multi-conductor load side lugs

### ACCESSORIES

- Alarm Switches
- Auxillary Switches
- Combo Aux/Alarm Switches
- Shunt Trip
- Under Voltage Release Switches

### Handles Rotary and Flange Style

NEMA 1 / 3R / 12 and NEMA 4 / 4X

Various Shaft Length and Multiple Cable Lengths

### Lugs

Lugs Supplied with Breaker up to Frames Size 800

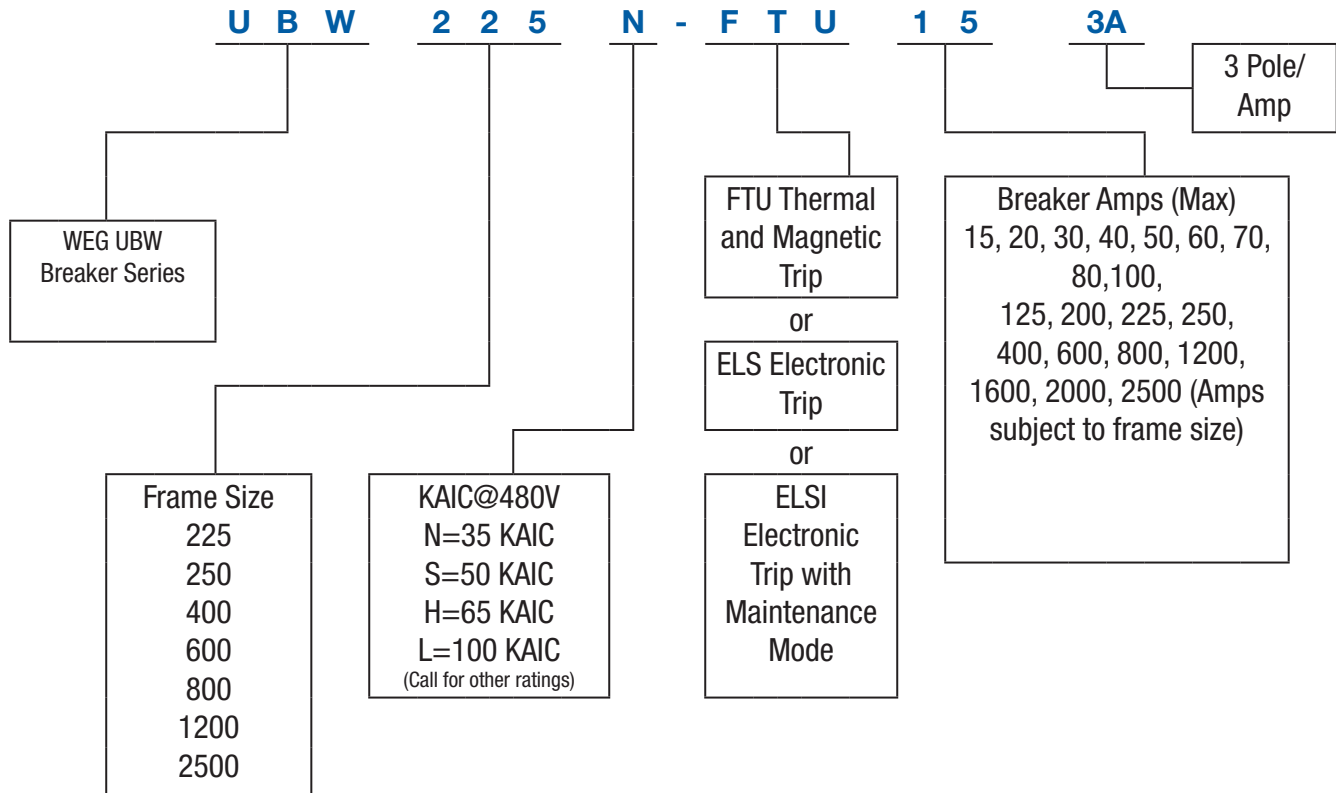
Optional Load Side Lugs in Various Wire Sizes with Multi Conductor Capability



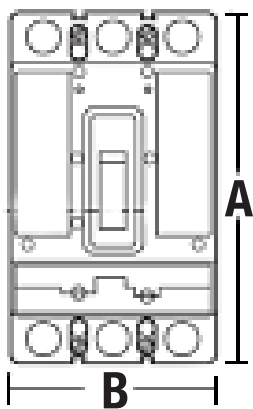
# NEW UBW SERIES

## MOLDED CASE CIRCUIT BREAKERS

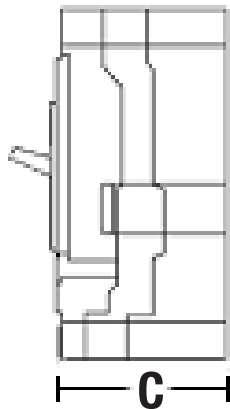
### UBW Breaker Part Number Breakdown



**Front View**



**Side View**



**UBW Frame Dimensions**

(in inches)

Frame	A	B	C
225	6.00	4.13	3.38
250	10.00	4.13	4.06
400	10.13	5.49	4.31
600	10.75	8.25	3.81
800	16.00	8.25	4.06
1200	16.00	8.25	5.50
2500	16.00	15.5	9.00

Please contact your authorized WEG distributor or go to [www.weg.net/us](http://www.weg.net/us) for further information or additional specifications.

**1-800-ASK-4WEG**