

20,000 Hour/3 Year Vane Life – Guaranteed!



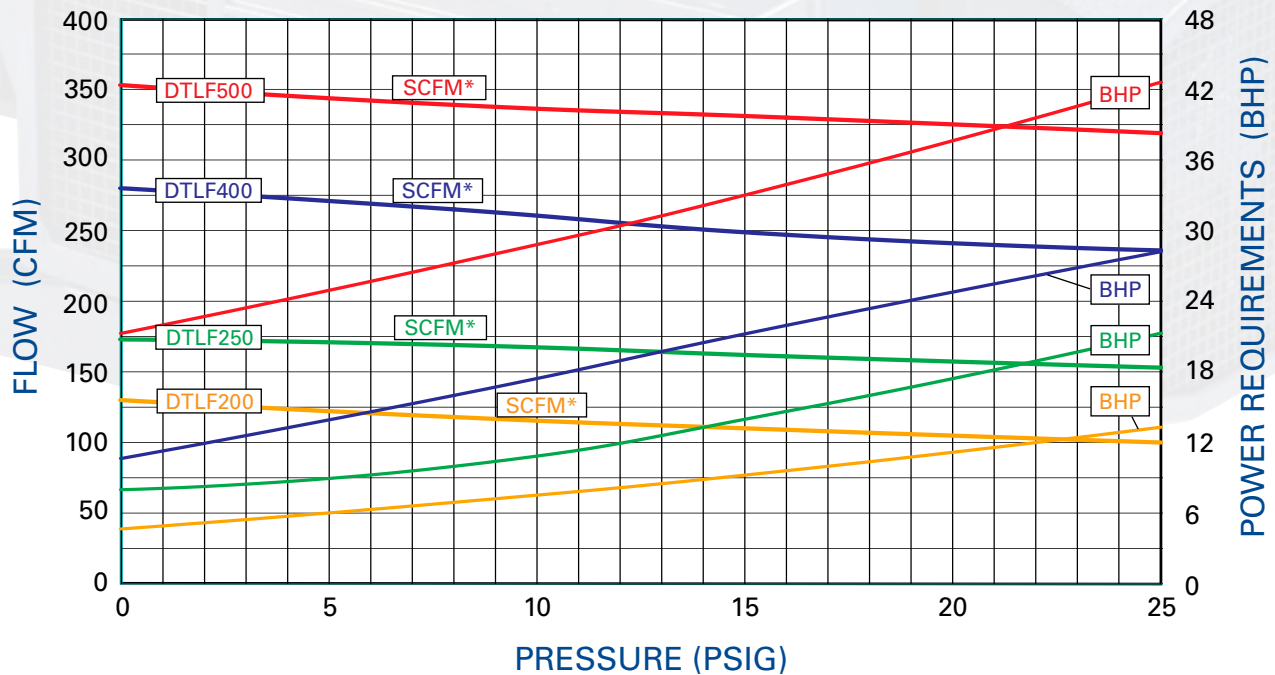
DXLF 200 – 500 Series

ISO 9001 Certified
CE Compliant

100% OIL-LESS COMPRESSORS



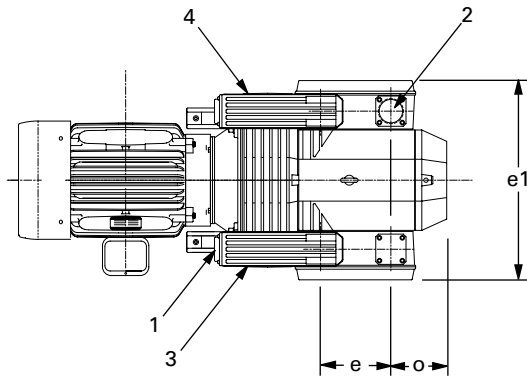
- 100% Oil-less (dry operation)
- Continuous duty rated
- Maximum pressure 25 PSIG
- Direct drive—no belts; no gears
- Low energy consumption
- TEFC motor
- Integral pressure regulating valve
- Integral 4-micron inlet filter
- Vibration isolators
- Quiet operation
- Cool running
- 20,000 Hour graphite composite vanes



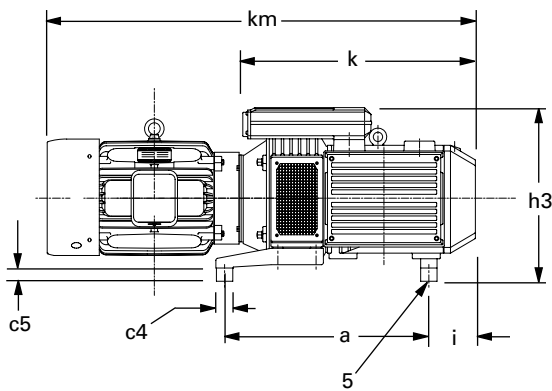
* @ 29.92" Hg Bar. Pr.; 68°F; 36% R.H.; 0.075#/ft³

Engineering Vacuum and Pressure Solutions that are Like a Breath of Fresh Air

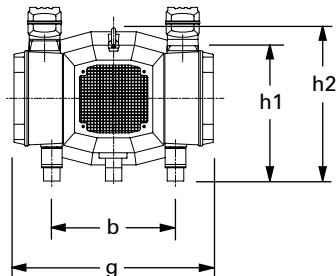
TECHNICAL DATA



Top View



Side View



End View (Opposite Motor End)



All data based on 60 Hz operation

	DXLF200	DXLF250	DXLF400	DXLF500
Flow (SCFM @ 0 PSIG)	130	173	280	353
Horsepower (kW)	15(11.2)	20(15)	30(22)	48(36)
Speed (RPM)	850	1150	850	1150
Max. Cont. Pressure (PSIG)	25	25	25	25
Weight (lbs.)—w/ motor*	902	902	1265	1320
Noise Level (Max. dBA)	83	86	84	85
Outlet size (NPT, inches, with adapter, included)	2"	2"	4"	4"
Dimensional Data	(Inches)			
a	25.4	25.4	30.25	30.25
b	15.0	15.0	18.9	18.9
c4	2.0	2.0	3.0	3.0
c5	1.6	1.6	2.0	2.0
e	8.5	8.5	10.6	10.6
e1	16.66	16.66	20.87	20.87
g	24.1	24.1	30.17	30.17
h ₁	16.87	16.87	20.86	20.86
h ₂	18.35	18.35	22.72	22.72
h ₃	21.0	21.0	27.96	27.96
i	4.92	4.92	6.5	6.5
k	28.25	28.25	33.0	33.0
km*	51.75	51.75	52.0	53.0
o	6.75	6.75	8.12	8.12

* Overall specifications for units may vary due to motor provider. Contact factory for information.
Manufacturer reserves right to alter data without notice.

- 1 - Inlet Port
- 2 - Outlet (Pressure) Port
- 3 - Inlet Silencer
- 4 - Pressure Relief Valve / Silencer
- 5 - Vibration Isolators