

Introducing the New

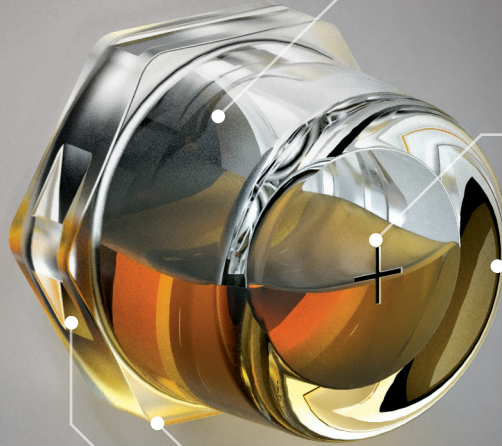
# Luneta Sight Glass

## 4X Stronger

Made of high-impact Tritan™, a chemically resistant, crystal-clear copolyester.

## Multiple Sizes

Our patent-pending design is available in multiple sizes and thread types.



## 360-degree View

Large viewing surface with no molded-in obstructions for easy viewing of the oil

## Etched Cross Hair

Quick oil level measurement

## Flat Window

Flat surface for high-definition viewing without obstruction

## Hex Nut

Easy wrench installation

## Eyelets

Attach ID tags and other information

# HD Clarity. HD Strength.

## High-Definition View

Compared to other bullseye sight glasses, the Luneta Sight Glass provides a crystal-clear, undistorted view of in-service oils. You'll notice the difference immediately. This level of clarity is achieved by our manufacturing process and the use of Tritan™, which allows for much thinner outer walls than acrylic sight glasses.

## Heavy-Duty Durability

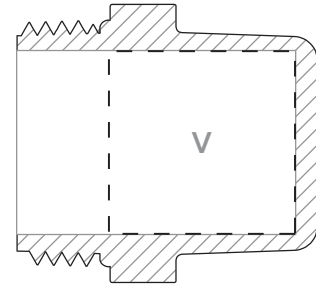
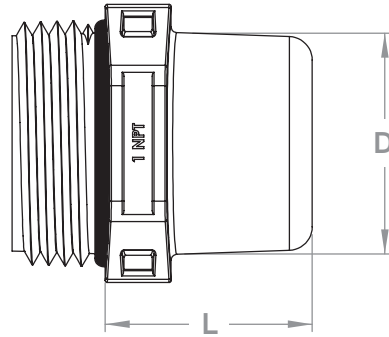
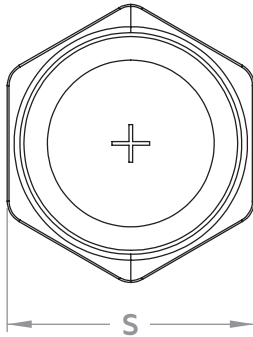
The Luneta Sight Glass is 4X stronger than traditional acrylic sight glasses, shatterproof and chemically resistant. In fact, it's made with a proprietary copolyester that is stronger than bulletproof glass. The Luneta Sight Glass can take a beating and withstand harsh environments, including extreme temperatures.



4X Stronger  
Multiple Sizes  
360-degree View  
Etched Cross Hair  
Flat Window  
Hex Nut  
Eyelets

# Luneta Sight Glass

Patent Pending Design



S - Wrench Size | L - Length | D - Diameter | V - Volume

## Specifications

- **Body Material:** High-impact Tritan™, a crystal-clear copolyester.
- **Recommended Temperature Range:** -40F to 200F (-40C to 93C)
- **Chemical Compatibility:** Chemically resistant with broad chemical compatibility, while retaining optimum optical properties.
- **Viton® O-ring:** Rubber FPM
- Other options/sizes coming soon.

Description	Part Number	S	D	L	V
1/4" NPT	SG.025NPT	5/8"	.46	.073	.039 oz.
3/8" NPT	SG.038NPT	3/4"	.63	.098	.098 oz.
1/2" NPT	SG.050NPT	7/8"	.78	.098	.114 oz.
3/4" NPT	SG.075NPT	1 1/8"	1.00	1.10	.266 oz.
1" NPT	SG.100NPT	1 5/16"	1.18	1.10	.448 oz.
1/2" BSPP	SG.050BSPP	7/8"	.78	.098	.114 oz.
3/4" BSPP	SG.075BSPP	1 1/8"	1.00	1.10	.266 oz.
1" BSPP	SG.100BSPP	1 5/16"	1.18	1.10	.448 oz.

## Comparison

	Acrylic Sight Glass	Luneta Sight Glass
Impact Resistance (Joules)	8.9	Greater than 40
Toughness or Durability (Notched Izod, 23-deg C, J/cm)	0.2	9.8
Wall thickness - Thinner means Clearer	0.25"	0.19"
Chemical Resistance	Poor	Excellent