

MRE021

Panel Antenna

Description

MRE021 is dual-band antenna supports all of GSM900/1800 or GSM900/3G Repeaters. It can work as both of reception or re-broadcaste antennas.

The antenna cover is made by strong white color PVC material with water-proof function. Default with 30cm 50-5D cable and N female connector.



Key Features

Wide frequency range from 800-2500MHz
Serves dual band mobile repeaters

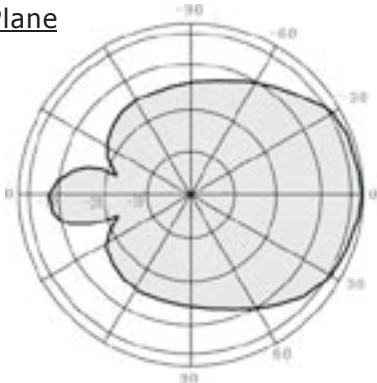
High gain of 5-7 dBi
Vertical polarization

Install in both of outdoor and indoor areas
Including 30 cm signal cable

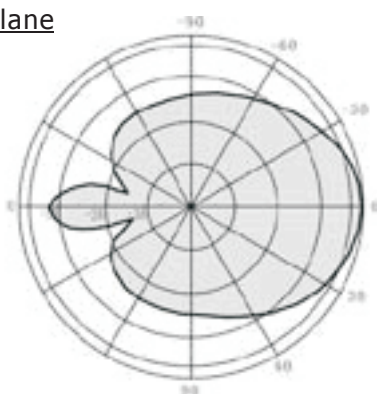
Max power 50 watt

Working Principle

H-Plane



E-Plane



Package includes:

1 x RFA06 Panel Antenna

Electrical Specifications

Frequency Range	824-960 / 1700-2500 MHz	
Polarization	Vertical	
Gain	5-7 dBi	
VSWR	<= 1.5	
Max. Power	50 Watt	
Impendance	50 ohm	
Lighting Protection	Direct Ground	
3dB HPBW	70°H-plane	55°E-plane
Connector Type	N Femal	

Mechanical Specifications

Radome Material	PVC
Radome Color	White
Radiating Element Material	Copper (CU)
Dimension (DXH)	210 x 180 x 44 MM
Weight	600 Gram
Operating temperature	-40 - 70 C